

MACX-TR-2T-MUL-PT - Timer relay



1103355

<https://www.phoenixcontact.com/us/products/1103355>

Please be informed that the data shown in this PDF document is generated from our online catalog. Please find the complete data in the user documentation. Our general terms of use for downloads are valid.



Multifunctional timer relay, 24 V AC/DC ... 240 V AC/DC wide-range supply, with 14 functions, 2 adjustable times, time range adjustable (10 ms ... 999 h:59 min), two configuration possibilities, password protection, supporting dry contacts, PNP and NPN proximity switch inputs, 2 PDTs, pluggable connection.

Commercial data

Item number	1103355
Packing unit	1 pc
Minimum order quantity	1 pc
Sales key	C443
Product key	DK6621
GTIN	4055626966212
Weight per piece (including packing)	180 g
Weight per piece (excluding packing)	124 g
Customs tariff number	85364190
Country of origin	CN

MACX-TR-2T-MUL-PT - Timer relay



1103355

<https://www.phoenixcontact.com/us/products/1103355>

Technical data

Product properties

Product type	Timer relay
Mechanical service life	approx. 3×10^7 cycles

Insulation characteristics

Insulation	Basic insulation
Overvoltage category	III
Pollution degree	3

Electrical properties

Service life electrical	approx. 1×10^5 cycles, resistive load 2000 V A
Nominal frequency	48 Hz ... 63 Hz
Nominal power consumption	2.5 VA (0.8 W)
Rated insulation voltage	300 V AC
Dielectric strength	2 kV ((2 mA, 60 s) (IEC 60947-5-1))

Input data

Nominal power consumption	2.5 VA (0.8 W)
Input voltage range	24 V AC/DC ... 240 V AC/DC (-15 % ... +10 %)
Temperature coefficient, typical	$\leq 0.01 \text{ }^\circ\text{C}$
Recovery time	100 ms
Setting range time	10 ms ... 59999 min (10 ms ... 999 h 59 min.)
Setting accuracy	$\leq 0.5 \text{ } \%$ (> 1 s)
Repeat accuracy	$\leq 0.05 \text{ } \%$ (> 1 s)

Control

Connection name	Non-floating, terminals A1-B1
Control pulse length	50 ms

Output data

Switching

Contact switching type	2 floating changeover contacts
Contact material	AgSnO ₂
Maximum switching voltage	400 V AC
Interrupting rating (ohmic load) max.	2000 VA (8 A / 250 V AC)
Output fuse	8 A (fast-blow)

Connection data

Connection method	Push-in connection
Stripping length	10 mm
Conductor cross-section rigid	0.2 mm ² ... 2.5 mm ²
Conductor cross-section flexible	0.2 mm ² ... 2.5 mm ²

MACX-TR-2T-MUL-PT - Timer relay



1103355

<https://www.phoenixcontact.com/us/products/1103355>

Conductor cross-section AWG	24 ... 14
-----------------------------	-----------

Dimensions

Width	22.5 mm
Height	109 mm
Depth	114 mm

Material specifications

Color	gray (RAL 7042)
Flammability rating according to UL 94	V0
Housing insulation material	PBT

Environmental and real-life conditions

Ambient conditions

Degree of protection	IP20
Ambient temperature (operation)	-25 °C ... 60 °C
Ambient temperature (storage/transport)	-40 °C ... 85 °C
Altitude	≤ 2000 m
Permissible humidity (operation)	10 % ... 95 % (non-condensing)

Approvals

CE

Identification	CE-compliant
----------------	--------------

UL, USA/Canada

Identification	UL/C-UL Listed UL 508
----------------	-----------------------

CCC

Identification	GB/T 14048.5
----------------	--------------

EMC data

Electromagnetic compatibility	Conformance with EMC directive
Low Voltage Directive	Conformance with Low Voltage Directive
Noise immunity	EN 61000-6-2
Impulse withstand voltage	4 kV (1.2/50 µs, IEC 60947-5-1)

Noise emission

Standards/regulations	EN 61000-6-4
-----------------------	--------------

Standards and regulations

Standards/regulations	IEC 60947-5-1
	IEC 61812-1

Mounting

Mounting type	DIN rail mounting
---------------	-------------------

MACX-TR-2T-MUL-PT - Timer relay



1103355

<https://www.phoenixcontact.com/us/products/1103355>

Assembly note	on standard DIN rail NS 35 in accordance with EN 60715
Mounting position	any

MACX-TR-2T-MUL-PT - Timer relay

1103355

<https://www.phoenixcontact.com/us/products/1103355>



Drawings

Schematic diagram

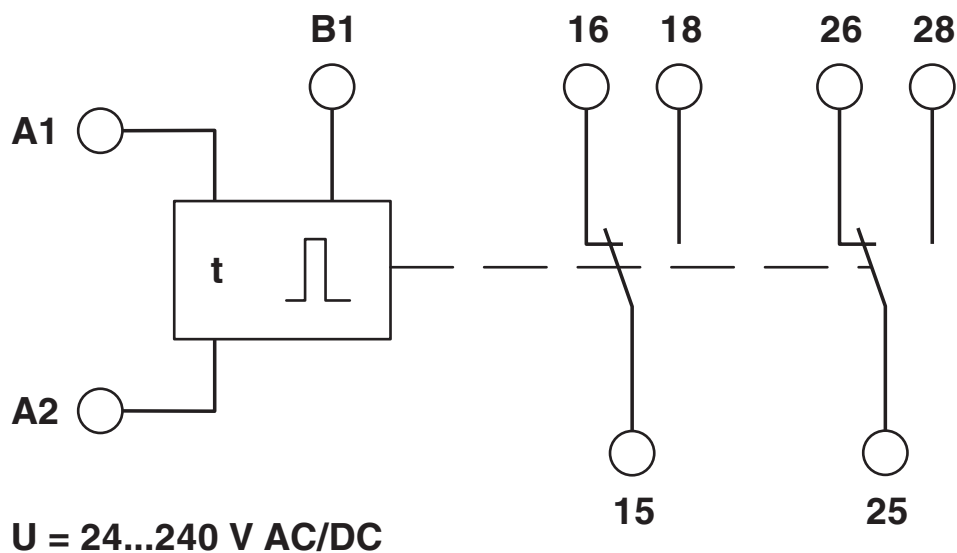


MACX-TR-2T-MUL-PT - Timer relay

1103355

<https://www.phoenixcontact.com/us/products/1103355>

Block diagram



MACX-TR-2T-MUL-PT - Timer relay





1103355


<https://www.phoenixcontact.com/us/products/1103355>


Approvals

To download certificates, visit the product detail page: <https://www.phoenixcontact.com/us/products/1103355>

 **UL Listed**
Approval ID: FILE E 172140

 **cUL Listed**
Approval ID: FILE E 172140

 **CCC**
Approval ID: 2024010303656848

 **cULus Listed**
Approval ID: E172140V1S9

MACX-TR-2T-MUL-PT - Timer relay



1103355

<https://www.phoenixcontact.com/us/products/1103355>

Classifications

ECLASS

ECLASS-13.0	27371605
ECLASS-15.0	27371605

ETIM

ETIM 10.0	EC001439
-----------	----------

UNSPSC

UNSPSC 21.0	39122300
-------------	----------

MACX-TR-2T-MUL-PT - Timer relay



1103355

<https://www.phoenixcontact.com/us/products/1103355>

Environmental product compliance

EU RoHS

Fulfills EU RoHS substance requirements	Yes
Exemption	7(a), 7(c)-I

China RoHS

Environment friendly use period (EFUP)	EFUP-50
	An article-related China RoHS declaration table can be found in the download area for the respective article under "Manufacturer declaration". For all articles with EFUP-E, no China RoHS declaration table issued and required.

EU REACH SVHC

REACH candidate substance (CAS No.)	Lead(CAS: 7439-92-1)
SCIP	f5cccf2d-60c1-4410-9687-c39d6fa98c64

Phoenix Contact 2026 © - all rights reserved

<https://www.phoenixcontact.com>

Phoenix Contact USA
586 Fulling Mill Road
Middletown, PA 17057, United States
(+717) 944-1300
info@phoenixcon.com