

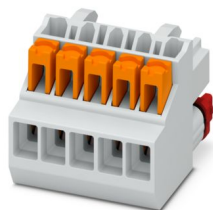
# ICC25-PPC1,5/5-3,5-AA-7035 - PCB connector



1102108

<https://www.phoenixcontact.com/us/products/1102108>

Please be informed that the data shown in this PDF document is generated from our online catalog. Please find the complete data in the user documentation. Our general terms of use for downloads are valid.



PCB connector, nominal cross section: 1.5 mm<sup>2</sup>, color: light gray, nominal current: 8 A, rated voltage (III/2): 150 V, contact surface: Sn, contact connection type: Socket, number of potentials: 5, number of rows: 1, number of positions: 5, number of connections: 5, product range: ICC.-PPC1,5/..-3,5, pitch: 3.5 mm, connection method: Push-in spring connection, conductor/PCB connection direction: 0 °, locking clip: - Locking clip, plug-in system: ICC 1,5, locking: without, mounting method: without, type of packaging: packed in cardboard, Color of the spring lever: orange

## Your advantages

- Time saving push-in connection, tools not required
- Variable coding, for reliable protection against incorrect connection
- Push-in technology for quick and easy wiring
- Quick and easily coded when initially connecting the connector and header
- Intuitive operation due to color-coded actuating push button
- High packing density with 3.5 mm pitch

## Commercial data

|                                      |               |
|--------------------------------------|---------------|
| Item number                          | 1102108       |
| Packing unit                         | 50 pc         |
| Minimum order quantity               | 50 pc         |
| Sales key                            | AC09          |
| Product key                          | ACHAFC        |
| GTIN                                 | 4055626961576 |
| Weight per piece (including packing) | 4.29 g        |
| Weight per piece (excluding packing) | 3.51 g        |
| Customs tariff number                | 85366990      |
| Country of origin                    | CN            |

1102108

<https://www.phoenixcontact.com/us/products/1102108>

## Technical data

### Product properties

|                       |                      |
|-----------------------|----------------------|
| Product type          | PCB connector        |
| Product family        | ICC...-PPC1,5/..-3,5 |
| Type                  | Standard             |
| Number of positions   | 5                    |
| Pitch                 | 3.5 mm               |
| Number of connections | 5                    |
| Number of rows        | 1                    |
| Number of potentials  | 5                    |

### Electrical properties

#### Properties

|                             |         |
|-----------------------------|---------|
| Nominal current $I_N$       | 8 A     |
| Nominal voltage $U_N$       | 150 V   |
| Contact resistance          | 2.19 mΩ |
| Rated voltage (III/3)       | 63 V    |
| Rated surge voltage (III/3) | 2.5 kV  |
| Rated voltage (III/2)       | 150 V   |
| Rated surge voltage (III/2) | 2.5 kV  |
| Rated voltage (II/2)        | 250 V   |
| Rated surge voltage (II/2)  | 2.5 kV  |

### Connection data

#### Connection technology

|                         |                     |
|-------------------------|---------------------|
| Connector system        | ICC 1,5             |
| Nominal cross section   | 1.5 mm <sup>2</sup> |
| Contact connection type | Socket              |

#### Interlock

|               |         |
|---------------|---------|
| Locking type  | without |
| Mounting type | without |

#### Conductor connection

|   |   |
|---|---|
| Connection method   | Push-in spring connection                     |
| Conductor/PCB connection direction                                      | 0 °   |
| Conductor cross-section rigid   | 0.2 mm <sup>2</sup> ... 1.5 mm <sup>2</sup>   |
| Conductor cross-section flexible  | 0.2 mm <sup>2</sup> ... 1.5 mm <sup>2</sup>   |
| Conductor cross-section AWG   | 24 ... 16                                     |
| Conductor cross-section, flexible, with ferrule, without plastic sleeve | 0.25 mm <sup>2</sup> ... 1 mm <sup>2</sup>    |
| Conductor cross-section, flexible, with ferrule, with plastic sleeve    | 0.25 mm <sup>2</sup> ... 0.75 mm <sup>2</sup> |
| Stripping length  | 10 mm   |

# ICC25-PPC1,5/5-3,5-AA-7035 - PCB connector



1102108

<https://www.phoenixcontact.com/us/products/1102108>

## Material specifications

### Material data - contact

|   |  |
|---|--|
| Note  | WEEE/RoHS-compliant, free of whiskers according to IEC 60068-2-82/JEDEC JESD 201 |
| Contact material                            | Cu alloy   |
| Surface characteristics                     | Tin-plated   |
| Metal surface terminal point (top layer)    | Tin (Sn)   |
| Metal surface terminal point (middle layer) | Nickel (1.3 µm - 3 µm Ni)  |
| Metal surface contact area (top layer)      | Tin (4 µm - 8 µm Sn)   |
| Metal surface contact area (middle layer)   | Nickel (1.3 µm - 3 µm Ni)  |

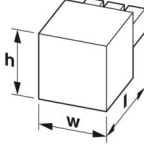
### Material data - housing

|   |                   |
|---|-------------------|
| Color (Housing)   | light gray (7035) |
| Insulating material   | PA                |
| Insulating material group   | I                 |
| CTI according to IEC 60112  | 600               |
| Flammability rating according to UL 94                            | V0                |
| Glow wire flammability index GWFI according to EN 60695-2-12      | 850               |
| Glow wire ignition temperature GWIT according to EN 60695-2-13    | 775               |
| Temperature for the ball pressure test according to EN 60695-10-2 | 125 °C            |

### Material data – actuating element

|  |               |
|--|---------------|
| Color (Actuating element)              | orange (2003) |
| Insulating material                    | PBT           |
| CTI according to IEC 60112             | 275           |
| Flammability rating according to UL 94 | V0            |

## Dimensions

|                     |  |
|---------------------|--|
| Dimensional drawing |  |
| Pitch               | 3.5 mm   |
| Width [w]           | 17.9 mm  |
| Height [h]          | 14.9 mm  |
| Length [l]          | 22 mm  |

## Notes

|        |   |
|--------|---|
| Coding | For details, refer to the product drawing in the “Downloads” tab. |
|--------|---|

## Safety note

|             |  |
|-------------|--|
| Safety note | WARNING: The connectors may not be plugged in or disconnected under load. Ignoring the warning or improper use may damage persons and/or property.   |
|             | <ul style="list-style-type: none"> <li>• WARNING: Commission properly functioning products only. The products must be regularly inspected for damage. Decommission defective products immediately. Replace damaged products. Repairs are not possible.</li> </ul>  |
|             | <ul style="list-style-type: none"> <li>• WARNING: Only electrically qualified personnel may install and operate the product. They must observe the following safety notes. The qualified personnel must be familiar with the basics of electrical engineering. They must be able to recognize and prevent danger. The relevant symbol on the packaging indicates that only personnel familiar with electrical engineering are allowed to install and operate the product.</li> </ul> |
|             | <ul style="list-style-type: none"> <li>• The item is intended to be an unencapsulated plug for installation in a housing.</li> <li>• Operate the connector only when it is fully plugged in.</li> </ul>  |

## Mechanical tests

### Test for conductor damage and slackening

|               |                     |
|---------------|---------------------|
| Specification | IEC 60999-1:1999-11 |
| Result        | Test passed         |

### Repeated connection and disconnection

|               |                     |
|---------------|---------------------|
| Specification | IEC 60999-1:1999-11 |
| Result        | Test passed         |

### Pull-out test

|   |   |
|---|---|
| Specification   | IEC 60999-1:1999-11                     |
| Conductor cross-section/conductor type/tractive force setpoint/actual value | 0.2 mm <sup>2</sup> / solid / > 10 N    |
|   | 0.2 mm <sup>2</sup> / flexible / > 10 N |
|   | 1.5 mm <sup>2</sup> / solid / > 40 N    |
|   | 1.5 mm <sup>2</sup> / flexible / > 40 N |

### Insertion and withdrawal forces

|                                     |                        |
|-------------------------------------|------------------------|
| Specification                       | IEC 60512-13-2:2006-02 |
| Result                              | Test passed            |
| No. of cycles                       | 25                     |
| Insertion strength per pos. approx. | 6.1 N                  |
| Withdraw strength per pos. approx.  | 3.9 N                  |

### Resistance of inscriptions

|               |                        |
|---------------|------------------------|
| Specification | IEC 60068-2-70:1995-12 |
| Result        | Test passed            |

### Polarization and coding

|               |                        |
|---------------|------------------------|
| Specification | IEC 60512-13-5:2006-02 |
| Result        | Test passed            |

### Visual inspection

# ICC25-PPC1,5/5-3,5-AA-7035 - PCB connector



1102108

<https://www.phoenixcontact.com/us/products/1102108>

|               |                       |
|---------------|-----------------------|
| Specification | IEC 60512-1-1:2002-02 |
| Result        | Test passed           |

## Dimension check

|               |                       |
|---------------|-----------------------|
| Specification | IEC 60512-1-2:2002-02 |
| Result        | Test passed           |

## Environmental and real-life conditions

### Durability test

|  |                       |
|--|-----------------------|
| Specification                                | IEC 60512-9-1:2010-03 |
| Impulse withstand voltage at sea level       | 2.95 kV               |
| Contact resistance R <sub>1</sub>            | 2.19 mΩ               |
| Contact resistance R <sub>2</sub>            | 2.17 mΩ               |
| Insertion/withdrawal cycles                  | 25                    |
| Insulation resistance, neighboring positions | > 5 TΩ                |

### Climatic test

|                                   |   |
|-----------------------------------|---|
| Specification                     | ISO 6988:1985-02  |
| Corrosive stress                  | 0.2 dm <sup>3</sup> SO <sub>2</sub> on 300 dm <sup>3</sup> /40 °C/1 cycle |
| Thermal stress                    | 100 °C/168 h  |
| Power-frequency withstand voltage | 1.39 kV   |

### Vibration test

|                        |  |
|------------------------|--|
| Specification          | IEC 60068-2-6:2007-12                    |
| Frequency              | 10 - 150 - 10 Hz                         |
| Sweep speed            | 1 octave/min                             |
| Amplitude              | 0.35 mm (10 Hz ... 60.1 Hz)              |
| Acceleration           | 50 m/s <sup>2</sup> (60.1 Hz ... 150 Hz) |
| Test duration per axis | 2.5 h                                    |
| Test directions        | X-, Y- and Z-axis                        |

### Ambient conditions

|   |   |
|---|---|
| Ambient temperature (storage/transport) | -40 °C ... 55 °C                                    |
| Relative humidity (storage/transport)   | 30 % ... 70 %                                       |
| Ambient temperature (assembly)          | -5 °C ... 100 °C                                    |
| Ambient temperature (operation)         | -40 °C ... 105 °C (dependent on the derating curve) |

## Electrical tests

### Thermal test | Test group C

|                            |                       |
|----------------------------|-----------------------|
| Specification              | IEC 60512-5-1:2002-02 |
| Tested number of positions | 5                     |

### Insulation resistance

|  |                       |
|--|-----------------------|
| Specification                                | IEC 60512-3-1:2002-02 |
| Insulation resistance, neighboring positions | > 1 TΩ                |

# ICC25-PPC1,5/5-3,5-AA-7035 - PCB connector



1102108

<https://www.phoenixcontact.com/us/products/1102108>

## Air clearances and creepage distances |

|  |                     |
|--|---------------------|
| Specification  | IEC 60664-1:2007-04 |
| Insulating material group                              | I                   |
| Comparative tracking index (IEC 60112)                 | CTI 600             |
| Rated insulation voltage (III/3)                       | 63 V                |
| Rated surge voltage (III/3)                            | 2.5 kV              |
| minimum clearance value - non-homogenous field (III/3) | 1.5 mm              |
| minimum creepage distance (III/3)                      | 1.6 mm              |
| Rated insulation voltage (III/2)                       | 150 V               |
| Rated surge voltage (III/2)                            | 2.5 kV              |
| minimum clearance value - non-homogenous field (III/2) | 1.5 mm              |
| minimum creepage distance (III/2)                      | 0.8 mm              |
| Rated insulation voltage (II/2)                        | 250 V               |
| Rated surge voltage (II/2)                             | 2.5 kV              |
| minimum clearance value - non-homogenous field (II/2)  | 1.5 mm              |
| minimum creepage distance (II/2)                       | 1.25 mm             |

## Packaging specifications

|                   |                     |
|-------------------|---------------------|
| Type of packaging | packed in cardboard |
|-------------------|---------------------|

# ICC25-PPC1,5/5-3,5-AA-7035 - PCB connector




1102108

<https://www.phoenixcontact.com/us/products/1102108>

## Approvals

To download certificates, visit the product detail page: <https://www.phoenixcontact.com/us/products/1102108>

|  <b>cULus Recognized</b><br>Approval ID: E60425-20181123 |  | Nominal voltage $U_N$ | Nominal current $I_N$ | Cross section AWG | Cross section $\text{mm}^2$ |
|---|--|-----------------------|-----------------------|-------------------|-----------------------------|
| B   |  |                       |                       |                   |                             |
| Field wiring  |  | 150 V                 | 8 A                   | 24 - 16           | -                           |

# ICC25-PPC1,5/5-3,5-AA-7035 - PCB connector



1102108

<https://www.phoenixcontact.com/us/products/1102108>

## Classifications

### ECLASS

|             |          |
|-------------|----------|
| ECLASS-13.0 | 27460202 |
| ECLASS-15.0 | 27460202 |

### ETIM

|           |          |
|-----------|----------|
| ETIM 10.0 | EC002638 |
|-----------|----------|

### UNSPSC

|             |          |
|-------------|----------|
| UNSPSC 21.0 | 39121400 |
|-------------|----------|

# ICC25-PPC1,5/5-3,5-AA-7035 - PCB connector



1102108

<https://www.phoenixcontact.com/us/products/1102108>

## Environmental product compliance

### EU RoHS

|   |                    |
|---|--------------------|
| Fulfills EU RoHS substance requirements | Yes, No exemptions |
|---|--------------------|

### China RoHS

|  |  |
|--|--|
| Environment friendly use period (EFUP) | EFUP-E                                   |
|  | No hazardous substances above the limits |

### EU REACH SVHC

|                                     |                            |
|-------------------------------------|----------------------------|
| REACH candidate substance (CAS No.) | No substance above 0.1 wt% |
|-------------------------------------|----------------------------|

Phoenix Contact 2026 © - all rights reserved  
<https://www.phoenixcontact.com>

Phoenix Contact USA  
586 Fulling Mill Road  
Middletown, PA 17057, United States  
(+717) 944-1300  
[info@phoenixcon.com](mailto:info@phoenixcon.com)