

# EV-T2HPCC-DC500A-5,5M50ECBK11 - DC charging cable



1101531

<https://www.phoenixcontact.com/us/products/1101531>

Please be informed that the data shown in this PDF document is generated from our online catalog. Please find the complete data in the user documentation. Our general terms of use for downloads are valid.



CHARX connect professional, CCS type 2, HPC DC charging cable, up to 700 A in Boost mode, 500 A permanent, 1000 V DC, with cooled vehicle charging connector and cooled cable, cable: 5.5 m, black, straight, with replaceable mating face frame, with replaceable DC power contacts, without panel feed-through, with digital temperature sensors, Liquid cooling, PHOENIX CONTACT logo, IEC 62196-3-1, for charging electric vehicles (EV) with direct current (DC)

## Product description

DC charging cable with vehicle charging connector and free cable end for fast charging of electric vehicles (EV) with direct current (DC) via CCS type 2 vehicle charging inlets, for installation at charging stations for e-mobility (EVSE)

## Your advantages

- Complete product range
- The right charging cable for every application, from the carport to the charging park
- Ultra-fast HPC charging, with temporary power up to 500 kW
- Convenient handling due to the ergonomic design
- Available with your logo on request - for consistent branding of your charging station
- Developed and produced in accordance with the IATF 16949 automotive standard and ISO 9001
- Additional safety thanks to integrated leakage sensors and a wear indicator in the cable sheath
- Convenient communication interfaces via CAN bus and digital output
- Maintenance-friendly replacement of the mating face frame without draining the coolant

## Commercial data

Item number	1101531
Packing unit	1 pc
Minimum order quantity	1 pc
Sales key	EM01
Product key	XWBLNI
GTIN	4055626958156
Weight per piece (including packing)	15,780 g
Weight per piece (excluding packing)	12,913 g
Customs tariff number	85444290
Country of origin	PL

# EV-T2HPCC-DC500A-5,5M50ECBK11 - DC charging cable



1101531

<https://www.phoenixcontact.com/us/products/1101531>

## Technical data

### Product properties

Product type	DC charging cable
Product family	CHARX connect professional
Type	HPC DC charging cable with cooled vehicle charging connector and cooled cable
Design	with replaceable mating face frame with replaceable DC power contacts without panel feed-through with digital temperature sensors Liquid cooling
Charging standard	CCS type 2
Charging mode	Mode 4
Affixed logo	PHOENIX CONTACT logo
Label	8.9 mm x 28.9 mm (customer logo on request)

### Electrical properties

#### Charging power and current (DC charging)

Type of charging current	DC
Charging current	500 A DC
Charging power	500 kW
Rated voltage	1000 V

#### Charging power and current (DC charging in Boost Mode)

Type of charging current	DC Boost Mode
Charging current	up to 700 A DC
Charging power	up to 700 kW
Rated voltage	1000 V
Note	The specifications refer to charging in Boost Mode and are dependent on ambient conditions. For further details, see the packing slip in the download area.

#### Charging power and current (DC charging in the event of cooling unit failure)

Charging current	150 A DC
Charging power	150 W
Rated voltage	1000 V
Note	The specifications refer to charging with a defective cooling unit and a short charging process.

#### Pin assignment (Power contacts)

Number	3 (PE, DC+, DC-)
Rated voltage	1000 V DC
Rated current	500 A (up to 40 °C)

# EV-T2HPCC-DC500A-5,5M50ECBK11 - DC charging cable



1101531

<https://www.phoenixcontact.com/us/products/1101531>

## Pin assignment (Signal contacts)

Number	2 (CP, PP)
Rated voltage	30 V AC
Rated current	2 A

## Temperature sensors (NTC)

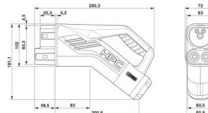
Sensor type	NTC
Attachment point	2 sensors for the replaceable front DC contacts 2 sensors for the internal DC power wires 1 sensor on the PCB in the housing
Switch-off temperature	90 °C

## Cooling system (Cooling unit)

Cooling	in the vehicle charging connector and in the cable
Coolant	50% water, 50% glycol (Glysofor N)
Cooling hose diameter	1x 11.50 mm Supply hose 2x 8.80 mm Return hoses
Cooling capacity	600 W (Cable length: 3 m) 800 W (Cable length: 4 m) 900 W (Cable length: 5 m) 1050 W (Cable length: 6 m)
Flow rate	2 l/min
Operating pressure	1.00 bar ... 2.00 bar
Relief pressure	2.00 bar
Maximum permissible pressure	4.00 bar
Flow-in temperature	15 °C

## Dimensions

### Vehicle charging connector

Dimensional drawing	 <p>Make sure that the vehicle charging connector is placed in an appropriate charging connector holder, which ensures a minimum protection rating of IP24 in accordance with IEC 61851-1, for the entire time between charging. To create this charging connector holder, use the dimensions of the vehicle charging connector. Detailed dimensions can also be found in the Download area.</p>
Width	72 mm
Height	181.1 mm
Depth	285.3 mm

## Material specifications

Color (Housing)	black (9005)
-----------------	--------------

# EV-T2HPCC-DC500A-5,5M50ECBK11 - DC charging cable



1101531

<https://www.phoenixcontact.com/us/products/1101531>

Color (Handle area)	black (9005)
Color (Mating face)	black (9005)
Color (Cable)	black (9005)
Material (Vehicle charging connector)	Plastic
Material (Cable outer sheath)	EVM-1 in accordance with EN 50620
Material (Contact surface)	Silver
Note	The color appearance and gloss level of the charging cable may vary.
Flammability rating according to UL 94	V0 (Mating face)

## Cable/line

Cable length	5.5 m ±45 mm
Wiring standards/regulations	according to UL 62 (File E515623, Vol 1) according to IEC 62893
Cable weight	max. 1938.00 kg/km
Cable type	straight
Cable structure	5 x 25 mm <sup>2</sup> + 7 x 0.75 mm <sup>2</sup>
External cable diameter	35.70 mm ±0.4 mm
Outer sheath, material	TPE-U in accordance with IEC 62893-1
Stripping length of the sheath	250 mm ±5 mm
Stripping length	250 mm ±5 mm
Cable resistance	≤ 0.00078 Ω/m (based on a power core, at an ambient temperature of 20°C)
Bending radius	min. 357 mm (10x Ø)

## Mechanical properties

Coolant	50% water, 50% glycol (Glysofor N)
---------	------------------------------------

### Mechanical data

Insertion/withdrawal cycles	> 10000 (based on IEC 62196-1)
Insertion force	< 100 N
Withdrawal force	< 100 N

## Environmental and real-life conditions

### Ambient conditions

Degree of protection (Vehicle charging connector)	IP54 (plugged in; when plugged in and ready to operate, the degree of protection is only ensued if both plug-in components are original products from Phoenix Contact or suitable standard-compliant products)
Ambient temperature (operation)	-30 °C ... 40 °C max. 55 °C (Current reduction required, observe the DC contact temperature limit value of 90°C)
Ambient temperature (storage/transport)	-40 °C ... 80 °C
Altitude	5000 m (above sea level)

## Standards and regulations

# EV-T2HPCC-DC500A-5,5M50ECBK11 - DC charging cable



1101531

<https://www.phoenixcontact.com/us/products/1101531>

Standards/specifications	IEC 62196-3-1
Note	Compliant with AFIR - EU 2025/656

# EV-T2HPCC-DC500A-5,5M50ECBK11 - DC charging cable

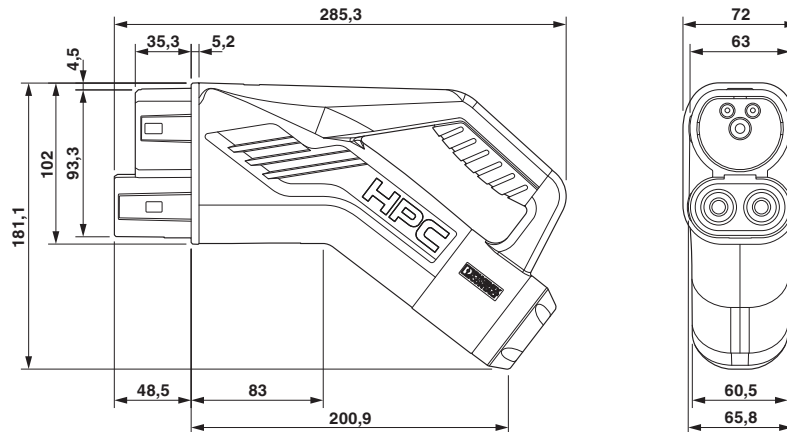


1101531

<https://www.phoenixcontact.com/us/products/1101531>

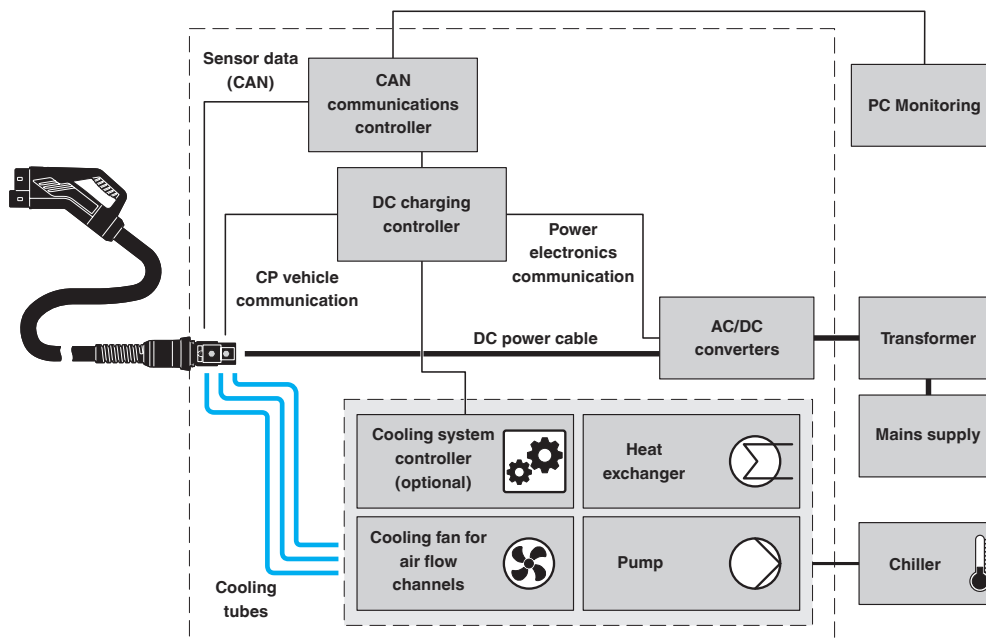
## Drawings

Dimensional drawing



Make sure that the vehicle charging connector is placed in an appropriate charging connector holder, which ensures a minimum protection rating of IP24 in accordance with IEC 61851-1, for the entire time between charging. To create this charging connector holder, use the dimensions of the vehicle charging connector. Detailed dimensions can also be found in the Download area.

Schematic diagram



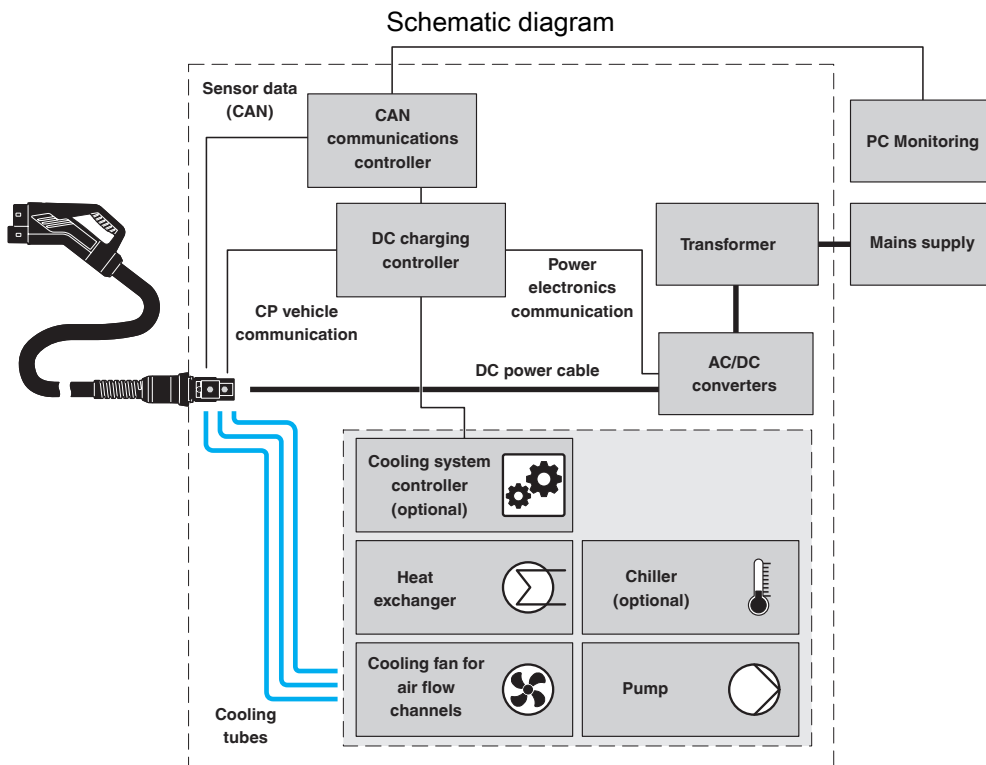
Central system: cooling unit and controller are positioned externally and supply multiple charging stations, each of which is equipped with a heat exchanger. The cooling is done actively using a chiller.

# EV-T2HPCC-DC500A-5,5M50ECBK11 - DC charging cable

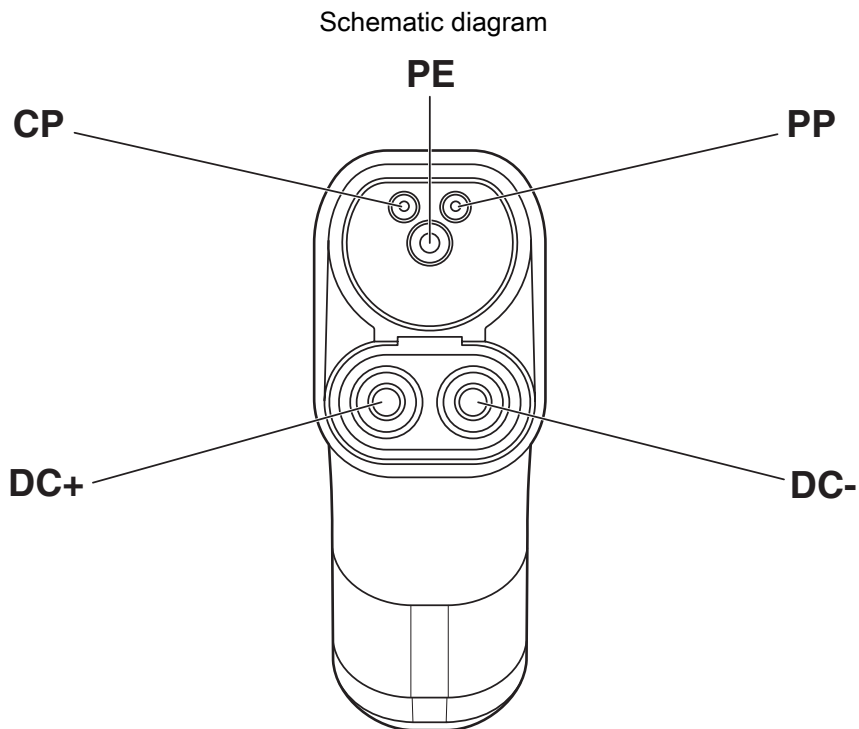


1101531

<https://www.phoenixcontact.com/us/products/1101531>



Standalone, decentralized system: cooling unit and controller are integrated into the charging station. The choice of cooling unit can be passive or active (i.e., with or without chiller).



Pin assignment of the Vehicle Connector

# EV-T2HPCC-DC500A-5,5M50ECBK11 - DC charging cable



1101531

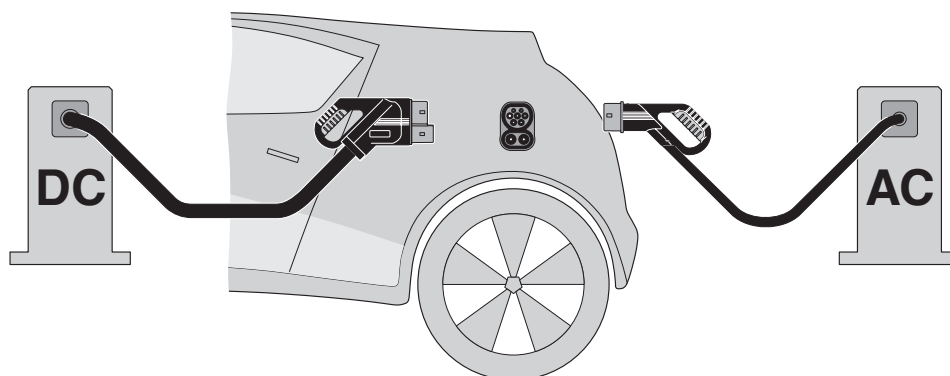
<https://www.phoenixcontact.com/us/products/1101531>

Schematic diagram



The resting position must be installed in the charging station such that the user cannot hang up the vehicle connector upside down (90° to 270°). However, positions rotated upward (45°) or downward (315°) are options for a resting position.

Schematic diagram



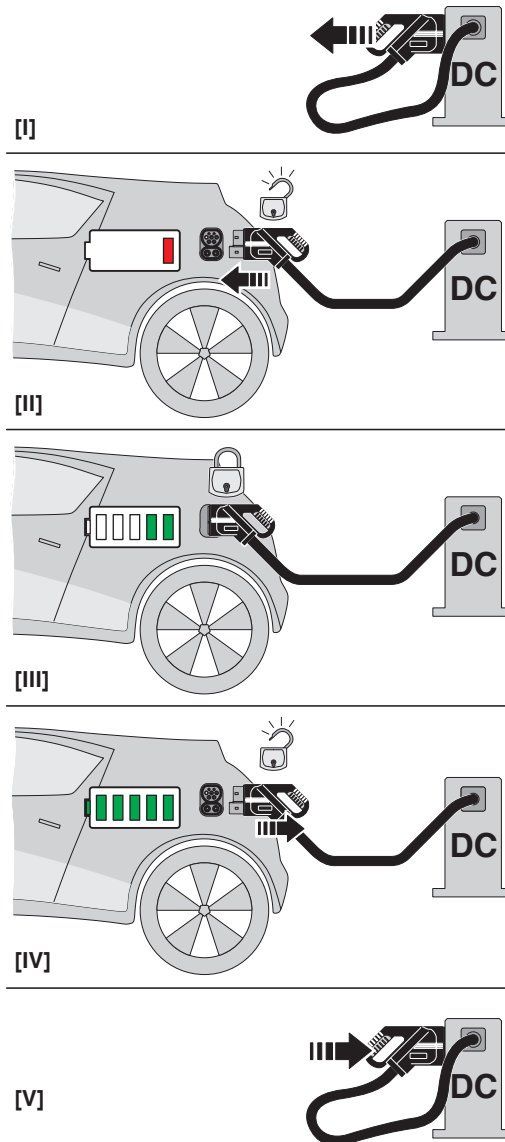
The Combined Charging System (CCS) principle - standard-compliant charging system for electric vehicles, which supports both conventional AC charging and fast DC charging. Both Vehicle Connectors fit into the CCS Vehicle Inlet.

# EV-T2HPCC-DC500A-5,5M50ECBK11 - DC charging cable

1101531

<https://www.phoenixcontact.com/us/products/1101531>

## Schematic diagram



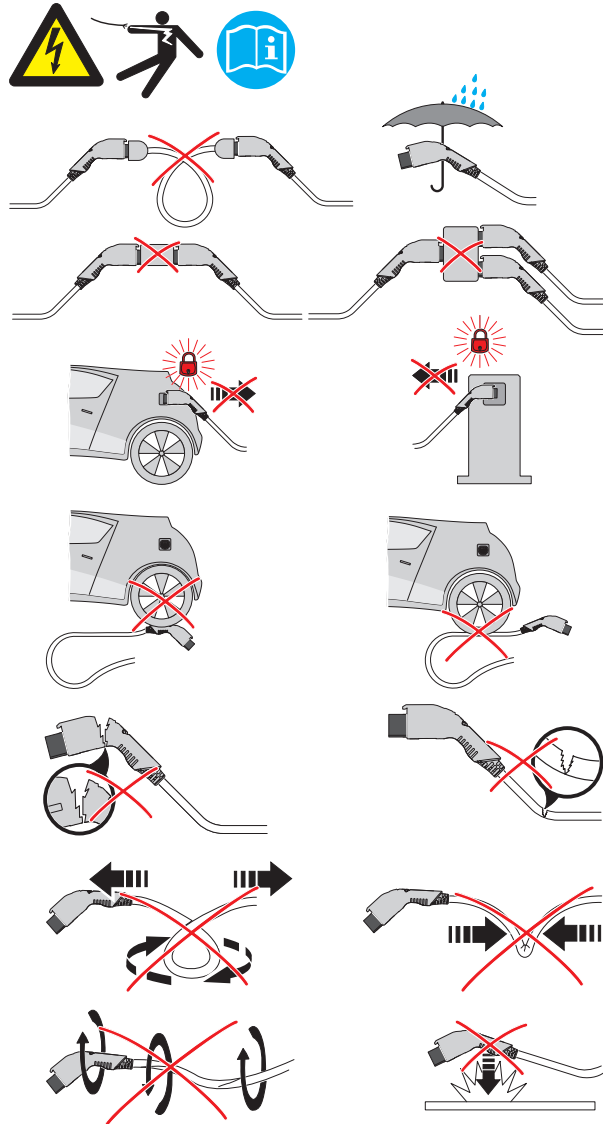
Operating instructions

# EV-T2HPCC-DC500A-5,5M50ECBK11 - DC charging cable

1101531

<https://www.phoenixcontact.com/us/products/1101531>

## Schematic diagram



Warning signal note

# EV-T2HPCC-DC500A-5,5M50ECBK11 - DC charging cable




1101531

<https://www.phoenixcontact.com/us/products/1101531>

## Approvals

To download certificates, visit the product detail page: <https://www.phoenixcontact.com/us/products/1101531>

 <b>IECEE CB Scheme</b> Approval ID: JPTUV-161807		Nominal voltage $U_N$	Nominal current $I_N$	Cross section AWG	Cross section $\text{mm}^2$
keine					
		1000 V	500 A	-	-

# EV-T2HPCC-DC500A-5,5M50ECBK11 - DC charging cable



1101531

<https://www.phoenixcontact.com/us/products/1101531>

## Classifications

### ECLASS

ECLASS-13.0	27144705
ECLASS-15.0	27144705

### ETIM

ETIM 10.0	EC002897
-----------	----------

### UNSPSC

UNSPSC 21.0	39121500
-------------	----------

# EV-T2HPCC-DC500A-5,5M50ECBK11 - DC charging cable



1101531

<https://www.phoenixcontact.com/us/products/1101531>

## Environmental product compliance

### EU RoHS

Fulfills EU RoHS substance requirements	Yes
Exemption	6(c), 7(c)-I

### China RoHS

Environment friendly use period (EFUP)	EFUP-50
	An article-related China RoHS declaration table can be found in the download area for the respective article under "Manufacturer declaration". For all articles with EFUP-E, no China RoHS declaration table issued and required.

### EU REACH SVHC

REACH candidate substance (CAS No.)	Lead(CAS: 7439-92-1)
SCIP	00c20a85-ab94-4535-a54b-456ba16d0e95

### EF3.1 Climate Change

CO2e kg	102.5 kg CO2e
---------	---------------

Phoenix Contact 2026 © - all rights reserved  
<https://www.phoenixcontact.com>

Phoenix Contact USA  
586 Fulling Mill Road  
Middletown, PA 17057, United States  
(+717) 944-1300  
[info@phoenixcon.com](mailto:info@phoenixcon.com)