

ME MAX 35 MT CL G U-U1 GN - Intermediate element



1099697

<https://www.phoenixcontact.com/us/products/1099697>

Please be informed that the data shown in this PDF document is generated from our online catalog. Please find the complete data in the user documentation. Our general terms of use for downloads are valid.



DIN rail housing, Intermediate element, tall design, without vents, width: 17.6 mm, height: 99 mm, depth: 112.85 mm, color: green (similar RAL 6021)

Your advantages

- Easy installation
- Variety of connection technology
- Can be mounted on the DIN rail

Commercial data

Item number	1099697
Packing unit	50 pc
Minimum order quantity	50 pc
Note	Made to order (non-returnable)
Product key	ACHABZ
GTIN	4055626950303
Weight per piece (including packing)	18.08 g
Weight per piece (excluding packing)	18.07 g
Country of origin	DE

1099697

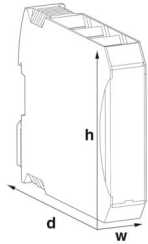
<https://www.phoenixcontact.com/us/products/1099697>

Technical data

Product properties

Product type	Complete housing center part
Housing type	DIN rail housing
Housing series	ME-MAX
Product family	ME MAX.. G U-U1
Number of rows	1
Ventilation openings present	no
Anzahl der Etagen Housing (Makro)	0 (Top) / 1 (Bottom)

Dimensions

Dimensional drawing	
Width	17.6 mm
Height	99 mm
Depth	112.85 mm
Depth from top edge of DIN rail	107 mm

Material specifications

Color (Housing)	green (RAL 6021)
Flammability rating according to UL 94	V0
CTI according to IEC 60112	600
Housing material	PA

Environmental and real-life conditions

Ambient conditions

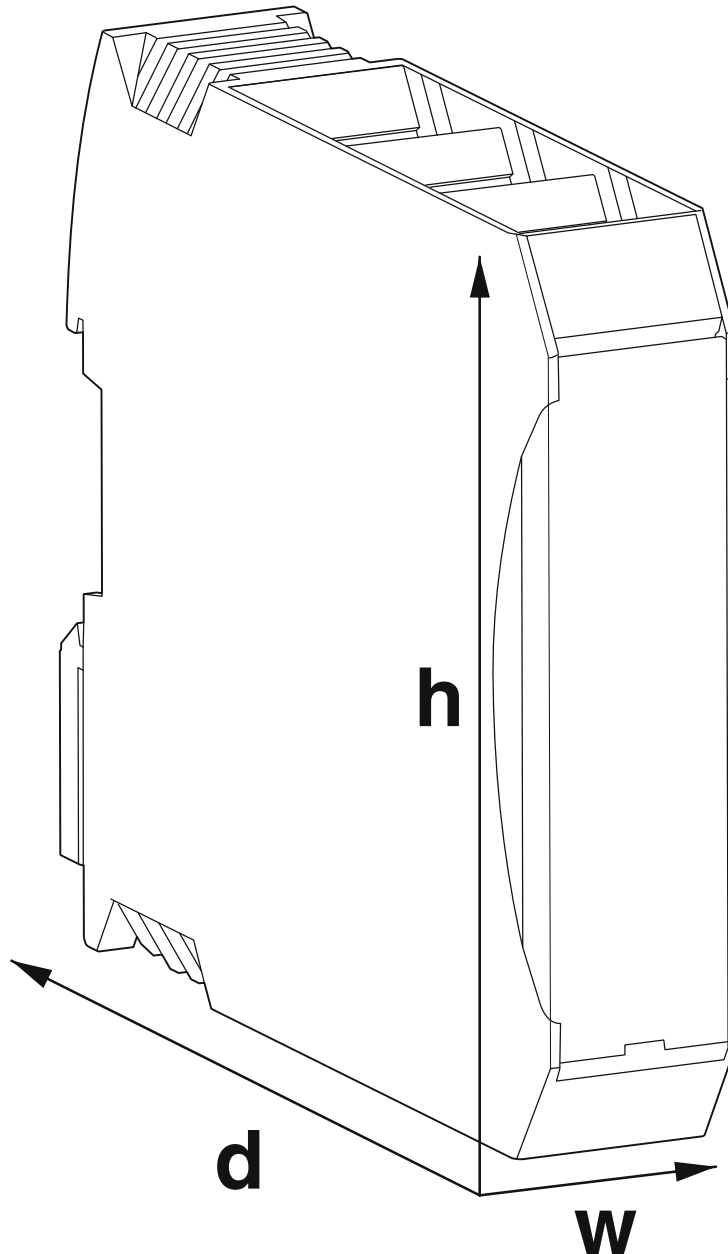
Max. IP code to attain	IP20
Ambient temperature (operation)	-40 °C ... 105 °C (depending on power dissipation)
Ambient temperature (storage/transport)	-40 °C ... 55 °C
Ambient temperature (assembly)	-5 °C ... 100 °C
Relative humidity (storage/transport)	80 %

PCB data

Type of PCB mount	Latching
-------------------	----------

Drawings

Dimensional drawing



Schematic figure for illustrating the item dimensions. The figure is not of the desired product. For further details, refer to the product drawings in the "Downloads" tab.

1099697

<https://www.phoenixcontact.com/us/products/1099697>

Classifications

ECLASS

ECLASS-13.0

27190604

ETIM

ETIM 9.0

EC002779

UNSPSC

UNSPSC 21.0

31261500

1099697

<https://www.phoenixcontact.com/us/products/1099697>

Environmental product compliance

EU RoHS

Fulfills EU RoHS substance requirements	Yes, No exemptions
---	--------------------

China RoHS

Environment friendly use period (EFUP)	EFUP-E
	No hazardous substances above the limits

EU REACH SVHC

REACH candidate substance (CAS No.)	No substance above 0.1 wt%
-------------------------------------	----------------------------

EF3.1 Climate Change

CO2e kg	0.124 kg CO2e
---------	---------------

Phoenix Contact 2026 © - all rights reserved
<https://www.phoenixcontact.com>

Phoenix Contact USA
586 Fulling Mill Road
Middletown, PA 17057, United States
(+717) 944-1300
info@phoenixcon.com