

SAC-5P-M12MR/40,0-680 FDN - Sensor/actuator cable



1095940

<https://www.phoenixcontact.com/us/products/1095940>

Please be informed that the data shown in this PDF document is generated from our online catalog. Please find the complete data in the user documentation. Our general terms of use for downloads are valid.



Sensor/actuator cable, 5-position, PVC, gray, shielded, Plug angled M12, coding: A, on free cable end, cable length: 40 m, Foil shielding plus drain wire

Commercial data

Item number	1095940
Packing unit	1 pc
Minimum order quantity	1 pc
Note	Made to order (non-returnable)
Sales key	BF13
Product key	AF1IEC
GTIN	4055626928913
Weight per piece (including packing)	22.22 g
Weight per piece (excluding packing)	22.22 g
Country of origin	US

SAC-5P-M12MR/40,0-680 FDN - Sensor/actuator cable



1095940

<https://www.phoenixcontact.com/us/products/1095940>

Technical data

Product properties

Product type	Sensor/actuator cable
Application	Standard, U.S. cables
Number of positions	5
No. of cable outlets	1
Shielded	yes
Coding	A

Insulation characteristics

Overvoltage category	II
Degree of pollution	3

Material specifications

Flammability rating according to UL 94	HB
Material of grip body	TPU, hardly inflammable, self-extinguishing
Contact material	CuSn
Contact surface material	Ni/Au
Contact carrier material	TPU GF
Material for screw connection	Zinc die-cast, nickel-plated

Electrical properties

Insulation resistance	$\geq 100 \text{ M}\Omega$
Nominal voltage U_N	48 V AC
	60 V DC
Nominal current I_N	4 A

Mechanical properties

Mechanical data

Insertion/withdrawal cycles	≥ 100
-----------------------------	------------

Signaling

Status display	no
Status display present	no

Connection data

Conductor connection

Tightening torque	0.4 Nm (M12 connector)
-------------------	------------------------

Connector

Connection 1

Type	Plug angled M12
------	-----------------

SAC-5P-M12MR/40,0-680 FDN - Sensor/actuator cable



1095940

<https://www.phoenixcontact.com/us/products/1095940>

Coding type	A
-------------	---

Connection 2

Type	free cable end
------	----------------

Cable/line

Cable length	40 m
--------------	------

PVC, gray, 105°C [680]

Dimensional drawing	
Cable weight	46.03 kg/km
UL AWM Style	2517 (105 °C / 300 V)
Number of positions	5
Shielded	yes
Cable type	PVC, gray, 105°C [680]
AWG signal line	22
Wire diameter incl. insulation	1.27 mm ±0.03 mm
External cable diameter	5.44 mm ±0.2 mm
Outer sheath, material	PVC
External sheath, color	gray
Conductor material	Tin-plated Cu litz wires
Material wire insulation	PVC (Signal line)
Single wire, color	brown, white, blue, black, gray
Type of pair shielding	Plastic-coated aluminum foil, aluminum side inside
Overall twist	Conductors, fillers, and drain wire are twisted with left-hand lay
Max. conductor resistance	max. 51.1 Ω/km (20 °C)
Insulation resistance	≥ (550 M Ohms/m @ 500V)
Nominal voltage, cable	300 V
Minimum bending radius, flexible installation	8 x D
Smallest bending radius, movable installation	44 mm
Flame resistance	FT4
Other resistance	UV resistant
Special properties	UL standards PLTC and ITC
Ambient temperature (operation)	-30 °C ... 105 °C (cable, fixed installation)

Environmental and real-life conditions

Ambient conditions

SAC-5P-M12MR/40,0-680 FDN - Sensor/actuator cable



1095940

<https://www.phoenixcontact.com/us/products/1095940>

Degree of protection	IP65
	IP67
	IP68
Ambient temperature (operation) (male connector/female connector)	-25 °C ... 90 °C (Plug / socket)
Ambient temperature (operation) (Cable, fixed installation)	-40 °C ... 80 °C (cable, fixed installation)
Ambient temperature (operation) (Cable, flexible installation)	-5 °C ... 80 °C (Cable, flexible installation)

Standards and regulations

Standard designation	M12 connector
Standards/specifications	IEC 61076-2-101

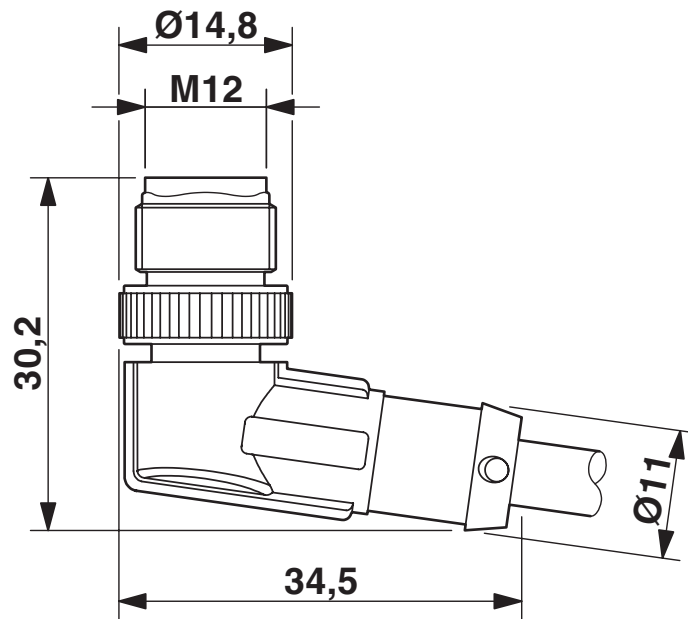
SAC-5P-M12MR/40,0-680 FDN - Sensor/actuator cable

1095940

<https://www.phoenixcontact.com/us/products/1095940>

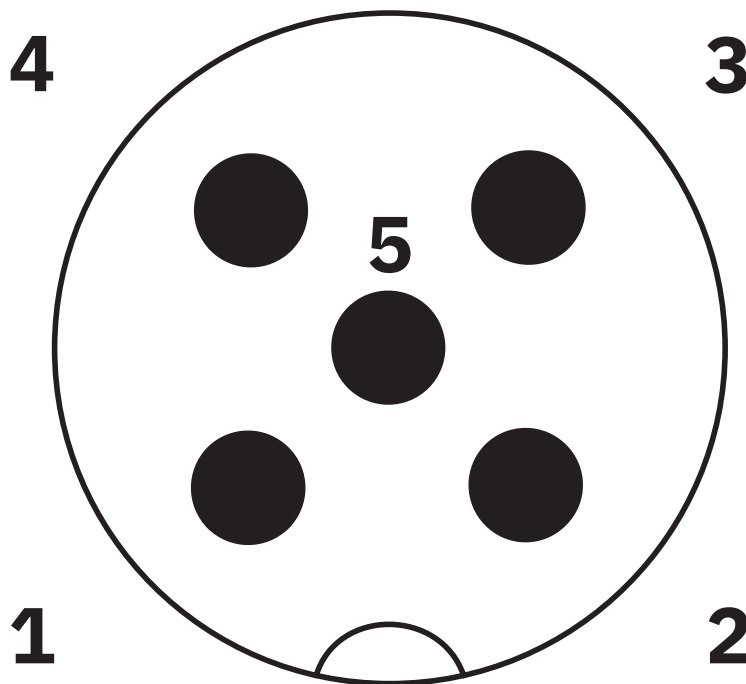
Drawings

Dimensional drawing



M12 x 1 male plug, angled

Schematic diagram



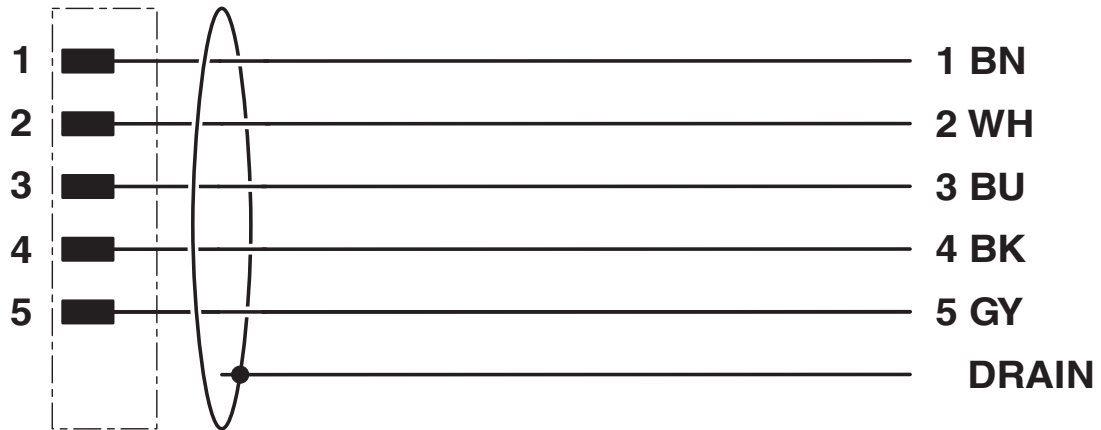
Pin assignment M12 male connector, 5-pos., A-coded, male side

SAC-5P-M12MR/40,0-680 FDN - Sensor/actuator cable

1095940

<https://www.phoenixcontact.com/us/products/1095940>

Circuit diagram



Contact assignment of the M12 plug and the M12 socket

SAC-5P-M12MR/40,0-680 FDN - Sensor/actuator cable



1095940

<https://www.phoenixcontact.com/us/products/1095940>

Classifications

ECLASS

ECLASS-13.0	27060311
ECLASS-15.0	27060311

ETIM

ETIM 9.0	EC001855
----------	----------

UNSPSC

UNSPSC 21.0	31251501
-------------	----------

SAC-5P-M12MR/40,0-680 FDN - Sensor/actuator cable



1095940

<https://www.phoenixcontact.com/us/products/1095940>

Environmental product compliance

China RoHS

Environment friendly use period (EFUP)	EFUP-E
	No hazardous substances above the limits

EU REACH SVHC

REACH candidate substance (CAS No.)	No substance above 0.1 wt%
-------------------------------------	----------------------------

Phoenix Contact 2026 © - all rights reserved
<https://www.phoenixcontact.com>

Phoenix Contact USA
586 Fulling Mill Road
Middletown, PA 17057, United States
(+717) 944-1300
info@phoenixcon.com