

EV-GRIP-D35,7MM - Cable handle



1091431

<https://www.phoenixcontact.com/us/products/1091431>

Please be informed that the data shown in this PDF document is generated from our online catalog. Please find the complete data in the user documentation. Our general terms of use for downloads are valid.



CHARX connect, CCS type 1, CCS type 2, Cable handle, Accessories, housing: black, For vehicle charging connector, IEC 62196-3-1, Please note: The item can only be used with the outer cable diameter indicated.

Product description

Cable handle for DC vehicle charging connector

Your advantages

- Developed and produced in accordance with the IATF 16949 automotive standard and ISO 9001

Commercial data

Item number	1091431
Packing unit	1 pc
Minimum order quantity	1 pc
Sales key	EM01
Product key	XWBLNY
GTIN	4055626904634
Weight per piece (including packing)	310.5 g
Weight per piece (excluding packing)	77 g
Customs tariff number	39269097
Country of origin	PL

EV-GRIP-D35,7MM - Cable handle



1091431

<https://www.phoenixcontact.com/us/products/1091431>

Technical data

Notes

Note on application	Please note: The item can only be used with the outer cable diameter indicated.
---------------------	---

Product properties

Product type	Cable handle
Product family	CHARX connect
Type	Accessories
Charging standard	CCS type 1 CCS type 2
Charging mode	Mode 4
Label	8.9 mm x 28.9 mm (customer logo on request)

Material specifications

Color (Housing)	black (9005)
Flammability rating according to UL 94	V0 ()

Environmental and real-life conditions

Ambient conditions

Ambient temperature (operation)	-30 °C ... 50 °C
Ambient temperature (storage/transport)	-40 °C ... 80 °C

Standards and regulations

Standards

Standards/regulations	IEC 62196-3-1
-----------------------	---------------

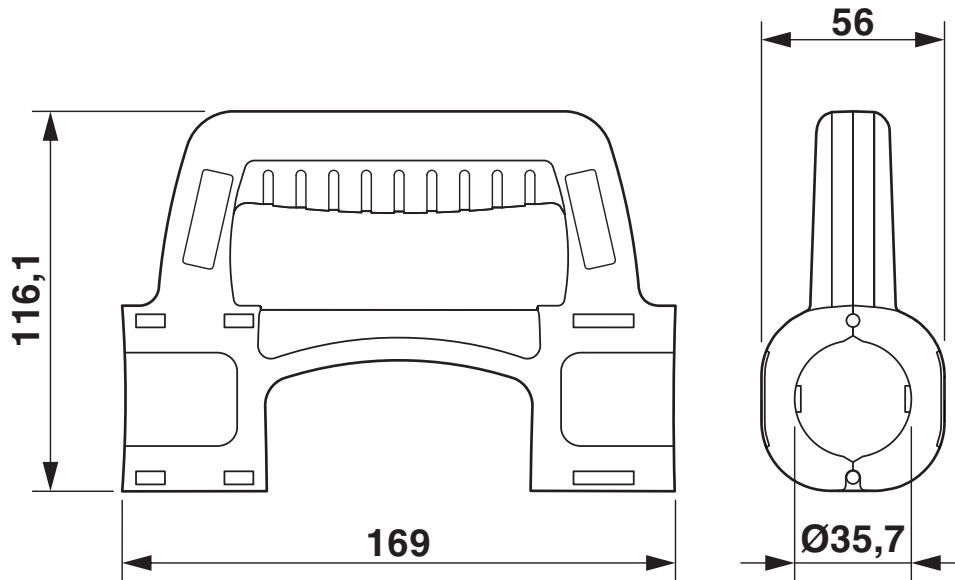
EV-GRIP-D35,7MM - Cable handle

1091431

<https://www.phoenixcontact.com/us/products/1091431>

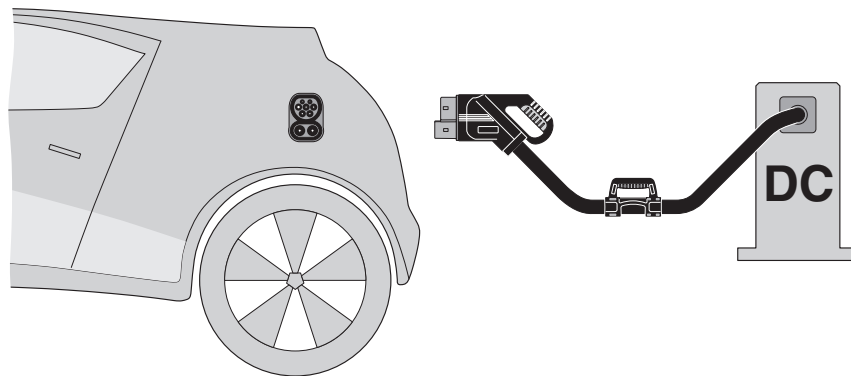
Drawings

Dimensional drawing



Dimensional drawing

Schematic diagram



The cable handle can be positioned at any point on the cable. It makes the charging cable easier to handle.

EV-GRIP-D35,7MM - Cable handle



1091431

<https://www.phoenixcontact.com/us/products/1091431>

Classifications

ECLASS

ECLASS-13.0	27144792
ECLASS-15.0	27144792

ETIM

ETIM 10.0	EC002884
-----------	----------

UNSPSC

UNSPSC 21.0	39121500
-------------	----------

EV-GRIP-D35,7MM - Cable handle



1091431

<https://www.phoenixcontact.com/us/products/1091431>

Environmental product compliance

EU RoHS

Fulfills EU RoHS substance requirements	Yes, No exemptions
---	--------------------

China RoHS

Environment friendly use period (EFUP)	EFUP-E
	No hazardous substances above the limits

EU REACH SVHC

REACH candidate substance (CAS No.)	No substance above 0.1 wt%
-------------------------------------	----------------------------

Phoenix Contact 2026 © - all rights reserved
<https://www.phoenixcontact.com>

Phoenix Contact USA
586 Fulling Mill Road
Middletown, PA 17057, United States
(+717) 944-1300
info@phoenixcon.com