

# A 10 -25 - Ferrule

1090628

<https://www.phoenixcontact.com/us/products/1090628>



Please be informed that the data shown in this PDF document is generated from our online catalog. Please find the complete data in the user documentation. Our general terms of use for downloads are valid.

Ferrule, Length contact range: 25 mm, sleeve length: 25 mm



## Your advantages

- The ferrules without plastic sleeve are made from soft tin-plated electrolytic copper

## Commercial data

|                                      |               |
|--------------------------------------|---------------|
| Item number                          | 1090628       |
| Packing unit                         | 500 pc        |
| Minimum order quantity               | 500 pc        |
| Sales key                            | BH34          |
| Product key                          | BH3412        |
| GTIN                                 | 4055626901244 |
| Weight per piece (including packing) | 0.62 g        |
| Weight per piece (excluding packing) | 0.62 g        |
| Customs tariff number                | 85369010      |
| Country of origin                    | DE            |

# A 10 -25 - Ferrule

1090628

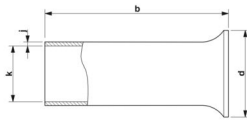
<https://www.phoenixcontact.com/us/products/1090628>

## Technical data

### Product properties

|                    |  |
|--------------------|--|
| Product type       | Cable end sleeve   |
| Conductor category | stranded conductors, class 2, 5, 6 / B, C, K, M                            |
| Product property   | Made from soft tin-plated electrolytic copper                              |
|                    | Correspond to the requirements of DIN 46228-4 and UL 486F in terms of size |
|                    | Long/short-term temperature: +105°C/+120°C                                 |

### Dimensions

|   |  |
|---|--|
| Dimensional drawing                       |  |
| Sleeve length                             | 25 mm  |
| Length contact range                      | 25 mm  |
| Ferrule diameter                          | 4.5 mm   |
| Sleeve wall thickness                     | 0.2 mm   |
| Inner dimensions of the insulating collar | 5.8 mm   |

### Material specifications

|                         |                         |
|-------------------------|-------------------------|
| Color                   | silver-colored          |
| Material                | CU-DHP                  |
| Coating                 | galvanically tin-plated |
| Surface characteristics | Tin-plated              |

### Mechanical properties

#### Technical data

|               |       |
|---------------|-------|
| Sleeve length | 25 mm |
|---------------|-------|

### Environmental and real-life conditions

#### Ambient conditions

|                        |        |
|------------------------|--------|
| Permanent temperature  | 105 °C |
| Short-term temperature | 120 °C |

### Standards and regulations

|                              |                        |
|------------------------------|------------------------|
| Design according to standard | DIN 46228-4, UL 486F-F |
|------------------------------|------------------------|

# A 10 -25 - Ferrule

1090628

<https://www.phoenixcontact.com/us/products/1090628>



## Drawings

Dimensional drawing



Sleeve length (b), insulating collar inner dimension (d), sleeve diameter (k), sleeve wall thickness (j)

# A 10 -25 - Ferrule

1090628

<https://www.phoenixcontact.com/us/products/1090628>



## Classifications

### ECLASS

|             |          |
|-------------|----------|
| ECLASS-13.0 | 27400201 |
| ECLASS-15.0 | 27400201 |

### ETIM

|           |          |
|-----------|----------|
| ETIM 10.0 | EC000005 |
|-----------|----------|

### UNSPSC

|             |          |
|-------------|----------|
| UNSPSC 21.0 | 27121700 |
|-------------|----------|

# A 10 -25 - Ferrule

1090628

<https://www.phoenixcontact.com/us/products/1090628>



## Environmental product compliance

### EU RoHS

|   |                    |
|---|--------------------|
| Fulfills EU RoHS substance requirements | Yes, No exemptions |
|---|--------------------|

### China RoHS

|  |  |
|--|--|
| Environment friendly use period (EFUP) | EFUP-E                                   |
|  | No hazardous substances above the limits |

### EU REACH SVHC

|                                     |                            |
|-------------------------------------|----------------------------|
| REACH candidate substance (CAS No.) | No substance above 0.1 wt% |
|-------------------------------------|----------------------------|

### EF3.1 Climate Change

|         |               |
|---------|---------------|
| CO2e kg | 0.006 kg CO2e |
|---------|---------------|

Phoenix Contact 2026 © - all rights reserved  
<https://www.phoenixcontact.com>

Phoenix Contact USA  
586 Fulling Mill Road  
Middletown, PA 17057, United States  
(+717) 944-1300  
[info@phoenixcon.com](mailto:info@phoenixcon.com)