

A 10 -25 - Ferrule

1090628

<https://www.phoenixcontact.com/us/products/1090628>



Please be informed that the data shown in this PDF document is generated from our online catalog. Please find the complete data in the user documentation. Our general terms of use for downloads are valid.

Ferrule, Length contact range: 25 mm, sleeve length: 25 mm



Your advantages

- The ferrules without plastic sleeve are made from soft tin-plated electrolytic copper

Commercial data

Item number	1090628
Packing unit	500 pc
Minimum order quantity	500 pc
Sales key	BH34
Product key	BH3412
GTIN	4055626901244
Weight per piece (including packing)	0.62 g
Weight per piece (excluding packing)	0.62 g
Customs tariff number	85369010
Country of origin	DE

A 10 -25 - Ferrule

1090628

<https://www.phoenixcontact.com/us/products/1090628>

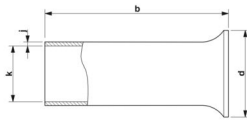


Technical data

Product properties

Product type	Cable end sleeve
Conductor category	stranded conductors, class 2, 5, 6 / B, C, K, M
Product property	Made from soft tin-plated electrolytic copper
	Correspond to the requirements of DIN 46228-4 and UL 486F in terms of size
	Long/short-term temperature: +105°C/+120°C

Dimensions

Dimensional drawing	
Sleeve length	25 mm
Length contact range	25 mm
Ferrule diameter	4.5 mm
Sleeve wall thickness	0.2 mm
Inner dimensions of the insulating collar	5.8 mm

Material specifications

Color	silver-colored
Material	CU-DHP
Coating	galvanically tin-plated
Surface characteristics	Tin-plated

Mechanical properties

Technical data

Sleeve length	25 mm
---------------	-------

Environmental and real-life conditions

Ambient conditions

Permanent temperature	105 °C
Short-term temperature	120 °C

Standards and regulations

Design according to standard	DIN 46228-4, UL 486F-F
------------------------------	------------------------

A 10 -25 - Ferrule

1090628

<https://www.phoenixcontact.com/us/products/1090628>



Drawings

Dimensional drawing



Sleeve length (b), insulating collar inner dimension (d), sleeve diameter (k), sleeve wall thickness (j)

A 10 -25 - Ferrule

1090628

<https://www.phoenixcontact.com/us/products/1090628>



Classifications

ECLASS

ECLASS-13.0	27400201
ECLASS-15.0	27400201

ETIM

ETIM 10.0	EC000005
-----------	----------

UNSPSC

UNSPSC 21.0	27121700
-------------	----------

A 10 -25 - Ferrule

1090628

<https://www.phoenixcontact.com/us/products/1090628>



Environmental product compliance

EU RoHS

Fulfills EU RoHS substance requirements	Yes, No exemptions
---	--------------------

China RoHS

Environment friendly use period (EFUP)	EFUP-E
	No hazardous substances above the limits

EU REACH SVHC

REACH candidate substance (CAS No.)	No substance above 0.1 wt%
-------------------------------------	----------------------------

EF3.1 Climate Change

CO2e kg	0.006 kg CO2e
---------	---------------

Phoenix Contact 2026 © - all rights reserved
<https://www.phoenixcontact.com>

Phoenix Contact USA
586 Fulling Mill Road
Middletown, PA 17057, United States
(+717) 944-1300
info@phoenixcon.com