

IPD W 3P2,5 M M25 GY - Panel feed-through



1088688

<https://www.phoenixcontact.com/us/products/1088688>

Please be informed that the data shown in this PDF document is generated from our online catalog. Please find the complete data in the user documentation. Our general terms of use for downloads are valid.



Panel feed-through, for connectors, connection method: Push-in connection, number of positions: 2+PE, M25, Pin, 0.5 mm² ... 2.5 mm², 500 V, 20 A, light gray, coding: P

Your advantages

- Easy distribution of power, as components are plugged directly
- Simple, time-saving wiring in the field with Push-Lock connection
- Reliable installation in harsh environments with IP66, IP68, and IP69K throughout the entire system
- Secure, tool-free locking even in particularly difficult installation situations
- Fast commissioning with preassembled cable assemblies

Commercial data

Item number	1088688
Packing unit	1 pc
Minimum order quantity	1 pc
Sales key	BF51
Product key	AF6LAA
GTIN	4055626891033
Weight per piece (including packing)	37.1 g
Weight per piece (excluding packing)	36 g
Customs tariff number	85366990
Country of origin	CN

IPD W 3P2,5 M M25 GY - Panel feed-through

1088688

<https://www.phoenixcontact.com/us/products/1088688>

Technical data

Product properties

Product type	Panel feed-through
Product family	IPD
Number of positions	3
Connection profile	2+PE
Position marking	L, N, PE
Number of connections per position	1
Coding	P

Insulation characteristics

Overvoltage category	III
Degree of pollution	3

Connection data

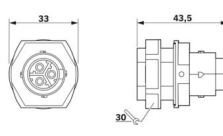
Connection technology

Connection method On the device side	Push-in connection
--------------------------------------	--------------------

Conductor connection

Conductor cross-section flexibel	0.5 mm ² ... 2.5 mm ²
Conductor cross-section solid	0.5 mm ² ... 2.5 mm ²
Conductor cross-section with ferrule	0.5 mm ² ... 2.5 mm ²
Connection cross section AWG	20 ... 14

Dimensions

Dimensional drawing	
Width	33 mm
Height	33 mm
Length	43.5 mm

Electrical properties

Rated surge voltage (III/3)	6 kV
Rated current	20 A
Rated voltage (III/3)	500 V
Nominal voltage U _N	500 V AC 500 V DC
Nominal current I _N	20 A

Mechanical properties

IPD W 3P2,5 M M25 GY - Panel feed-through



1088688

<https://www.phoenixcontact.com/us/products/1088688>

Mechanical data

Insertion/withdrawal cycles	50 (IP66/IP68/IP69K)
	100 (IP66)

Material specifications

Color (Housing)	light gray (RAL 7035)
Material Housing	PA
Material Seal	EPDM
Flammability rating according to UL 94	V0
Contact material	Cu
Contact surface material	Ni/Ag/Sn

Cable/line

Position marking	L, N, PE
------------------	----------

Mounting

Mounting type	M25
---------------	-----

Environmental and real-life conditions

Ambient conditions

Degree of protection	IP66
	IP68 (2 m / 24 h)
	IP69K
	Touch-proof when not plugged in (IP2X)
Impact strength	IK07
Ambient temperature (operation)	-30 °C ... 100 °C
Temperature when conductor connected	-5 °C ... 50 °C
Ambient temperature (storage/transport)	-30 °C ... 100 °C
Resistance to UV radiation	yes

IPD W 3P2,5 M M25 GY - Panel feed-through

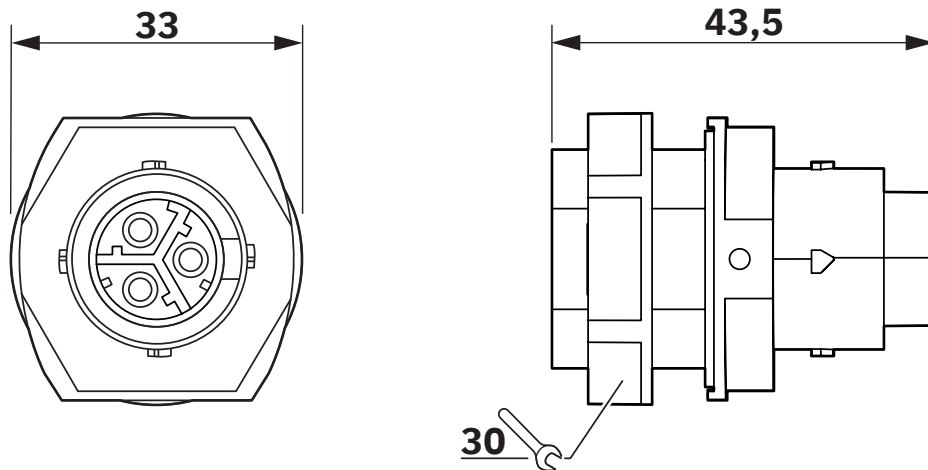


1088688

<https://www.phoenixcontact.com/us/products/1088688>

Drawings

Dimensional drawing



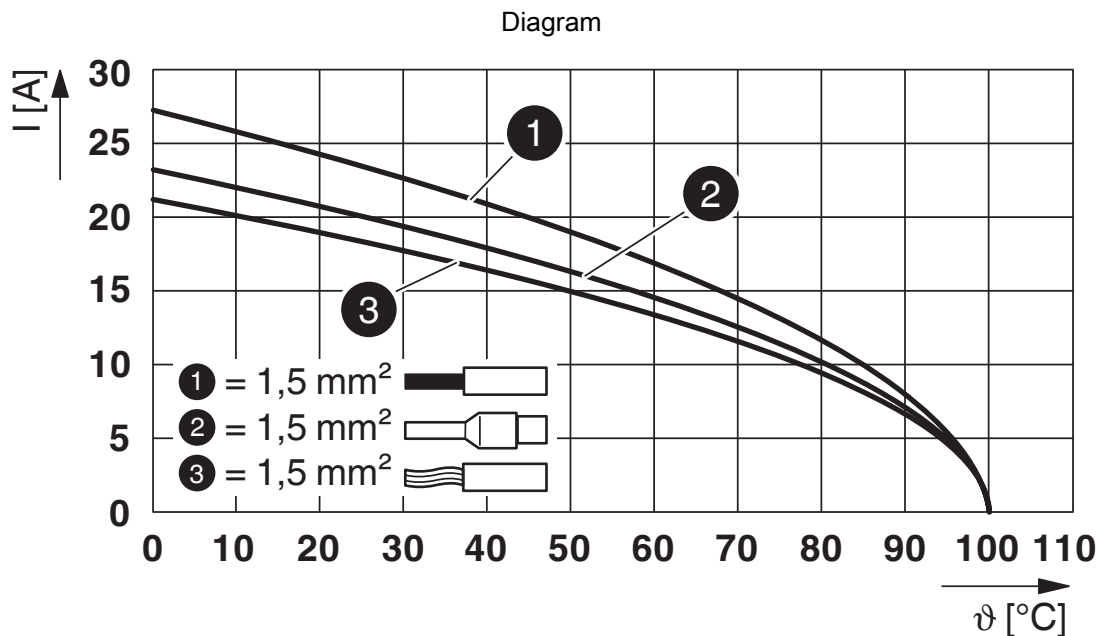
Diagram



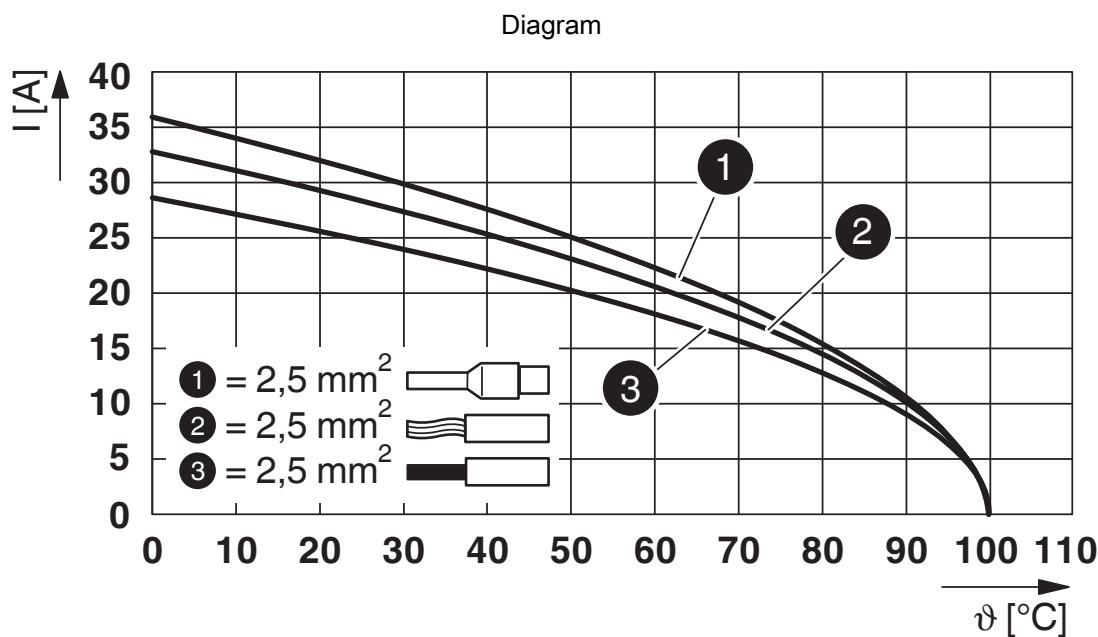
Derating diagram for 1.0 mm²

1088688

<https://www.phoenixcontact.com/us/products/1088688>



Derating diagram for 1.5 mm²



Derating diagram for 2.5 mm²

IPD W 3P2,5 M M25 GY - Panel feed-through



1088688

<https://www.phoenixcontact.com/us/products/1088688>

Approvals

To download certificates, visit the product detail page: <https://www.phoenixcontact.com/us/products/1088688>



VDE Zeichengenehmigung

Approval ID: 40059408



cULus Listed

Approval ID: E468743

	Nominal voltage U_N	Nominal current I_N	Cross section AWG	Cross section mm^2
keine				
Only rigid conductors	600 V	20 A	- 14	-
multi-stranded with ferrule	600 V	20 A	- 14	-
Only flexible conductors	600 V	20 A	- 14	-

IPD W 3P2,5 M M25 GY - Panel feed-through



1088688

<https://www.phoenixcontact.com/us/products/1088688>

Classifications

ECLASS

ECLASS-13.0	27440602
ECLASS-15.0	27440602

ETIM

ETIM 10.0	EC002566
-----------	----------

UNSPSC

UNSPSC 21.0	39121500
-------------	----------

IPD W 3P2,5 M M25 GY - Panel feed-through



1088688

<https://www.phoenixcontact.com/us/products/1088688>

Environmental product compliance

EU RoHS

Fulfills EU RoHS substance requirements	Yes, No exemptions
---	--------------------

China RoHS

Environment friendly use period (EFUP)	EFUP-E
	No hazardous substances above the limits

EU REACH SVHC

REACH candidate substance (CAS No.)	No substance above 0.1 wt%
-------------------------------------	----------------------------

Phoenix Contact 2026 © - all rights reserved
<https://www.phoenixcontact.com>

Phoenix Contact USA
586 Fulling Mill Road
Middletown, PA 17057, United States
(+717) 944-1300
info@phoenixcon.com