

IPD P 5P2,5 F GY - Connector



1088677

<https://www.phoenixcontact.com/us/products/1088677>

Please be informed that the data shown in this PDF document is generated from our online catalog. Please find the complete data in the user documentation. Our general terms of use for downloads are valid.



Connector, connection method: Push-lock connection, number of positions: 4+PE, Socket, 0.5 mm² ... 2.5 mm², 600 V, 17.5 A, PA, light gray, coding: P, external cable diameter: 7 mm ... 11 mm and 11 mm ... 16 mm

Your advantages

- Easy distribution of power, as components are plugged directly
- Simple, time-saving wiring in the field with Push-Lock connection
- Reliable installation in harsh environments with IP66, IP68, and IP69K throughout the entire system
- Secure, tool-free locking even in particularly difficult installation situations
- Fast commissioning with preassembled cable assemblies

Commercial data

Item number	1088677
Packing unit	1 pc
Minimum order quantity	1 pc
Sales key	BF51
Product key	AF6JCA
GTIN	4055626890944
Weight per piece (including packing)	73.6 g
Weight per piece (excluding packing)	22.22 g
Customs tariff number	85366990
Country of origin	DE

IPD P 5P2,5 F GY - Connector

1088677

<https://www.phoenixcontact.com/us/products/1088677>

Technical data

Product properties

Product type	Installation connector
Product family	IPD
Number of positions	5
Connection profile	4+PE
Position marking	1, 2, 3, N, PE
Number of connections per position	1
Coding	P

Insulation characteristics

Overvoltage category	III
Degree of pollution	3

Electrical properties

Rated surge voltage (III/3)	6 kV
Rated current	17.5 A
Rated voltage (III/3)	600 V
Nominal voltage U_N	600 V AC
	600 V DC
Nominal current I_N	17.5 A

Connection data

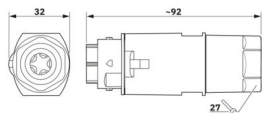
Connection technology

Connection method On the field side	Push-lock connection
-------------------------------------	----------------------

Conductor connection

Conductor cross-section flexibel	0.5 mm ² ... 2.5 mm ²
Conductor cross-section solid	0.5 mm ² ... 2.5 mm ²
Conductor cross-section with ferrule	0.5 mm ² ... 2.5 mm ²
Connection cross section AWG	20 ... 14

Dimensions

Dimensional drawing	
Width	32.5 mm
Height	32.1 mm
Length	91.6 mm

Material specifications

IPD P 5P2,5 F GY - Connector



1088677

<https://www.phoenixcontact.com/us/products/1088677>

Color (Housing)	light gray (RAL 7035)
Material Housing	PA
Material Seal	NBR
Flammability rating according to UL 94	V0
Contact material	Cu
Contact surface material	Ni/Ag/Sn

Cable/line

External cable diameter	7 mm ... 11 mm
	11 mm ... 16 mm
Position marking	1, 2, 3, N, PE

Mechanical properties

Mechanical data

Insertion/withdrawal cycles	50 (IP66/IP68/IP69K)
	100 (IP66)

Environmental and real-life conditions

Ambient conditions

Degree of protection	IP66
	IP68 (2 m / 24 h)
	IP69K
	Touch-proof when not plugged in (IP2X)
Impact strength	IK07
Ambient temperature (operation)	-30 °C ... 100 °C
Temperature when conductor connected	-5 °C ... 50 °C
Ambient temperature (storage/transport)	-30 °C ... 100 °C
Resistance to UV radiation	yes

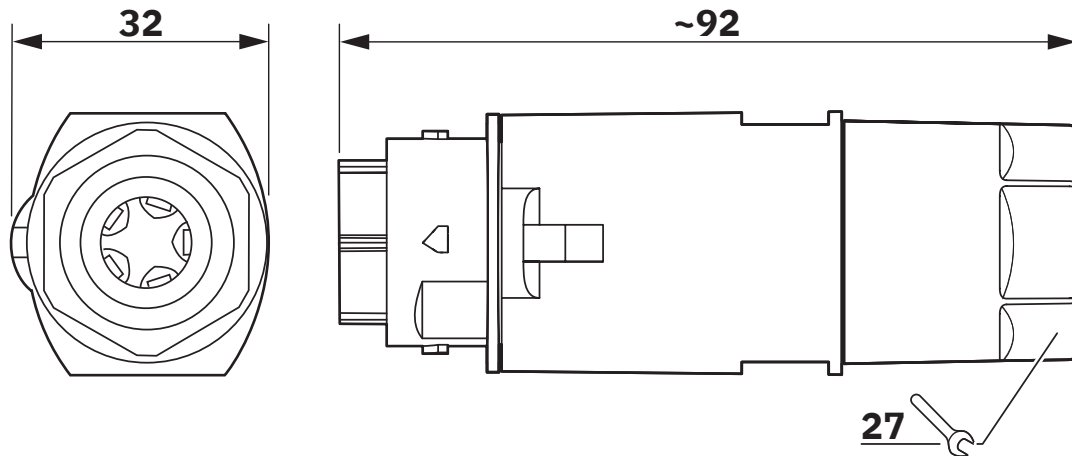
IPD P 5P2,5 F GY - Connector

1088677

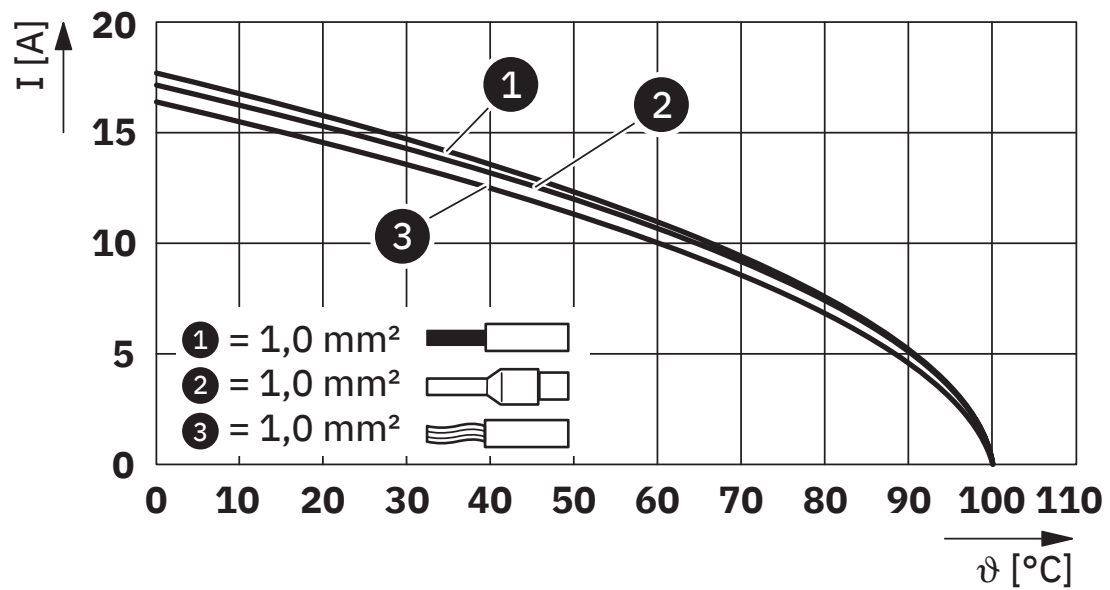
<https://www.phoenixcontact.com/us/products/1088677>

Drawings

Dimensional drawing



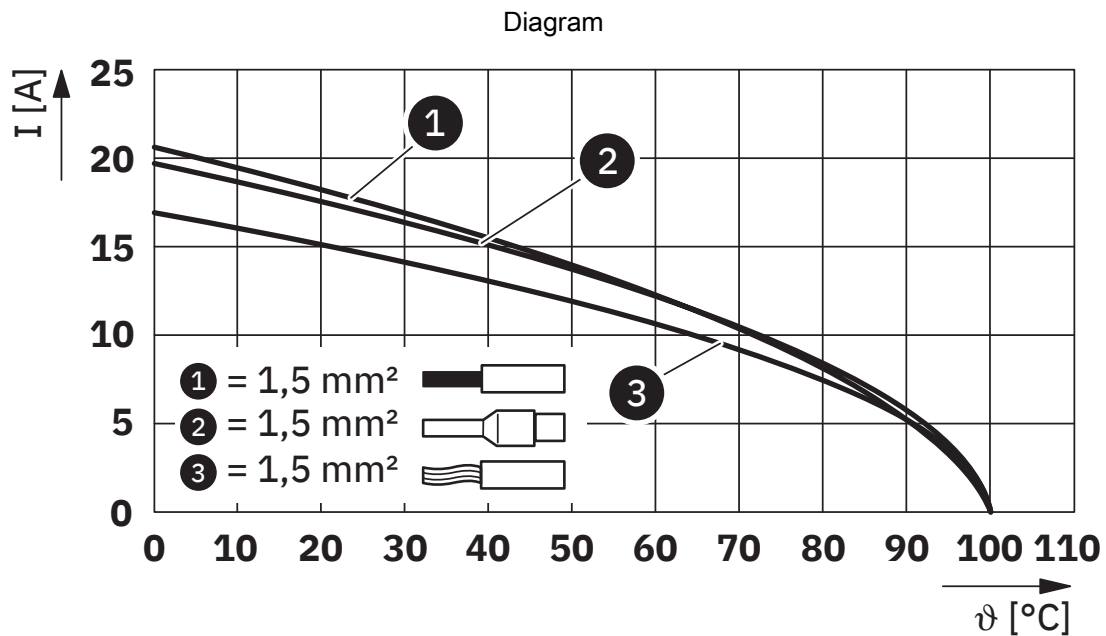
Diagram



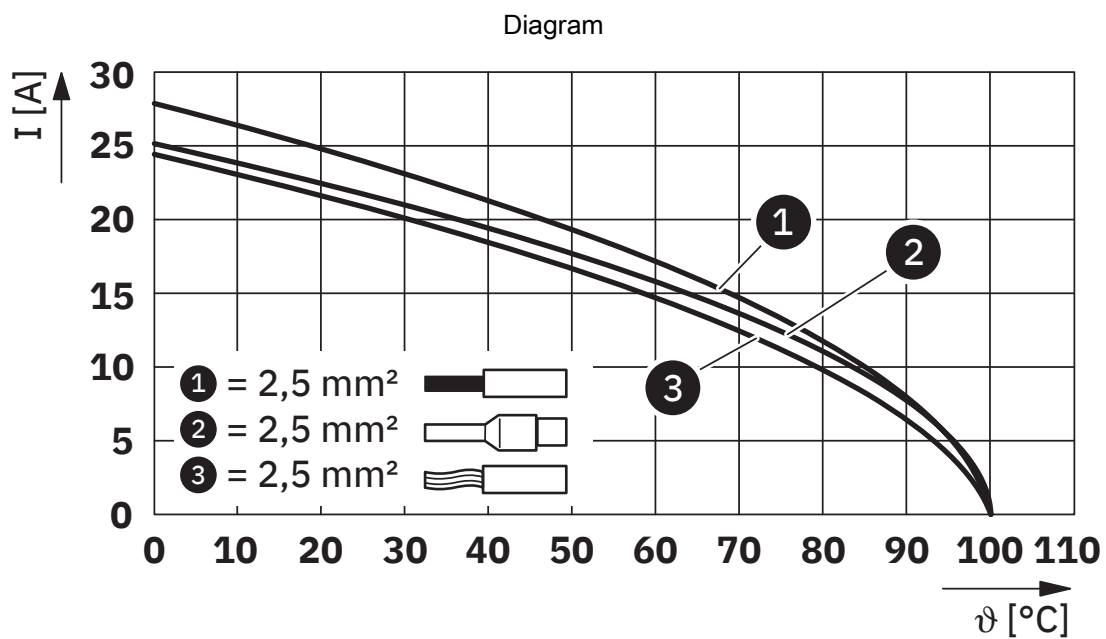
Derating diagram for 1.0 mm²

1088677

<https://www.phoenixcontact.com/us/products/1088677>



Derating diagram for 1.5 mm²



Derating diagram for 2.5 mm²

IPD P 5P2,5 F GY - Connector



1088677

<https://www.phoenixcontact.com/us/products/1088677>

Approvals

To download certificates, visit the product detail page: <https://www.phoenixcontact.com/us/products/1088677>



VDE Zeichengenehmigung

Approval ID: 40059408



cULus Listed

Approval ID: E468743

	Nominal voltage U_N	Nominal current I_N	Cross section AWG	Cross section mm^2
keine				
Only rigid conductors	600 V	20 A	- 14	-
multi-stranded with ferrule	600 V	20 A	- 14	-
Only flexible conductors	600 V	20 A	- 14	-

IPD P 5P2,5 F GY - Connector



1088677

<https://www.phoenixcontact.com/us/products/1088677>

Classifications

ECLASS

ECLASS-13.0	27440605
ECLASS-15.0	27440605

ETIM

ETIM 10.0	EC002560
-----------	----------

UNSPSC

UNSPSC 21.0	39121400
-------------	----------

IPD P 5P2,5 F GY - Connector



1088677

<https://www.phoenixcontact.com/us/products/1088677>

Environmental product compliance

EU RoHS

Fulfills EU RoHS substance requirements	Yes, No exemptions
---	--------------------

China RoHS

Environment friendly use period (EFUP)	EFUP-E
	No hazardous substances above the limits

EU REACH SVHC

REACH candidate substance (CAS No.)	No substance above 0.1 wt%
-------------------------------------	----------------------------

Phoenix Contact 2026 © - all rights reserved
<https://www.phoenixcontact.com>

Phoenix Contact USA
586 Fulling Mill Road
Middletown, PA 17057, United States
(+717) 944-1300
info@phoenixcon.com