

# AXL SE SC-A - Cover

1088134

<https://www.phoenixcontact.com/us/products/1088134>



Please be informed that the data shown in this PDF document is generated from our online catalog. Please find the complete data in the user documentation. Our general terms of use for downloads are valid.

Axioline Smart Elements, Slot cover, Diagnostic function, degree of protection: IP20



## Product description

You can integrate Axioline Smart Elements into systems with the Smart Element interface. This Smart Element covers an unused Smart Element slot.

## Your advantages

- Protects an unused Smart Element slot
- Device rating plate stored



## Commercial data

Item number	1088134
Packing unit	1 pc
Minimum order quantity	1 pc
Sales key	DR05
Product key	DRIBZ4
GTIN	4055626888118
Weight per piece (including packing)	30 g
Weight per piece (excluding packing)	27.5 g
Customs tariff number	85389091
Country of origin	DE

## Technical data

### Notes

#### Note on application

Note on application	Only for industrial use
---------------------	-------------------------

### Product properties

Product type	Cover
Product family	Axioline Smart Elements
Type	modular
Mounting position	See the system in which the Smart Element is used.
Special properties	Diagnostic function

#### Insulation characteristics

Overvoltage category	II (IEC 60664-1, EN 60664-1)
Pollution degree	2 (IEC 60664-1, EN 60664-1)

### System properties

#### Programming data (LocalbusSlave)

Process data channel	0 bit (All systems except PROFIBUS)
Input address area	0 Byte (All systems except PROFIBUS)
	1 Byte (PROFIBUS)
Output address area	0 Byte

#### Fieldbus data telegram

Required parameter data	1 Byte
Required configuration data	6 Byte

### Electrical properties

Maximum power dissipation for nominal condition	0 W
---	-----

#### Potentials: Communications power supply of the Smart Elements ( $U_{SE}$ )

Supply voltage	using card edge connectors
----------------	----------------------------

#### Electrical isolation/isolation of the voltage ranges

Test voltage: Communications supply / functional ground	500 V AC, 50 Hz, 1 min
---	------------------------

### Connection data

Connection method	without
-------------------	---------

### Interfaces

#### Smart Element interface

Number of interfaces	1
Connection method	Card edge connector

# AXL SE SC-A - Cover

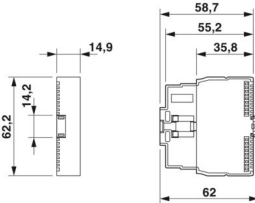


1088134

<https://www.phoenixcontact.com/us/products/1088134>

Transmission speed	See system in which you use the Smart Element.
Start time until ready to operate	< 500 ms

## Dimensions

Dimensional drawing	
Width	14.9 mm
Height	62.2 mm
Depth	62 mm

## Material specifications

Color (Housing)	gray (RAL 7042)
-----------------	-----------------

## Standards and regulations

Protection class	III (IEC 61140, EN 61140, VDE 0140-1)
------------------	---------------------------------------

## Mounting

Mounting type	Plug-in mounting (Smart Element slot)
Mounting position	See the system in which the Smart Element is used.

# AXL SE SC-A - Cover

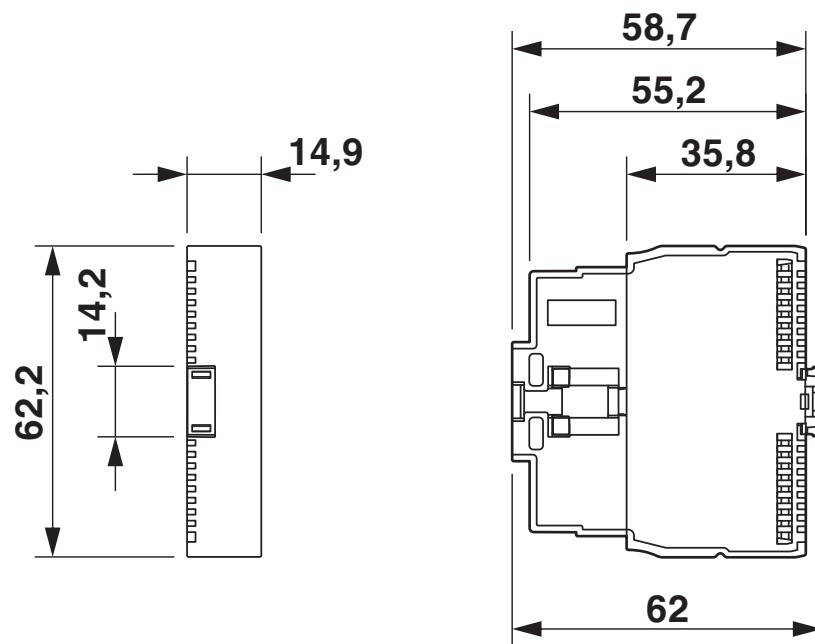
1088134

<https://www.phoenixcontact.com/us/products/1088134>



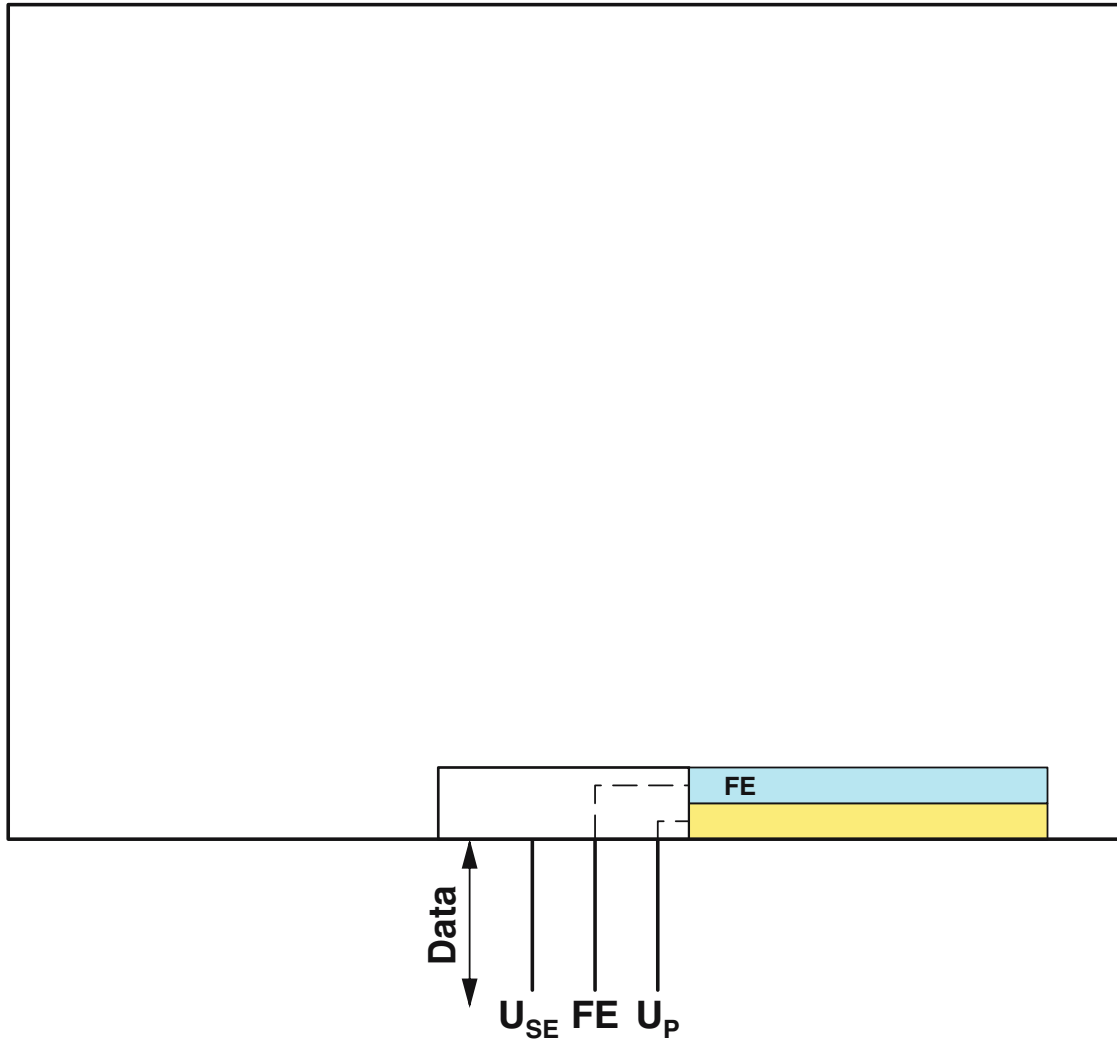
## Drawings

Dimensional drawing



## Dimensions

Block diagram



Internal wiring of the terminal points

# AXL SE SC-A - Cover



1088134

<https://www.phoenixcontact.com/us/products/1088134>

## Approvals

To download certificates, visit the product detail page: <https://www.phoenixcontact.com/us/products/1088134>

### DNV

Approval ID: TAA00003B0



### LR

Approval ID: LR23402057TA



### RINA

Approval ID: ELE263623XG

### ABS

Approval ID: 24-2510075-PDA



### cULus Listed

Approval ID: E238705

# AXL SE SC-A - Cover

1088134

<https://www.phoenixcontact.com/us/products/1088134>



## Classifications

### ECLASS

ECLASS-13.0	27242692
ECLASS-15.0	27242692

### ETIM

ETIM 10.0	EC002584
-----------	----------

### UNSPSC

UNSPSC 21.0	32151600
-------------	----------

1088134

<https://www.phoenixcontact.com/us/products/1088134>

## Environmental product compliance

### EU RoHS

Fulfills EU RoHS substance requirements	Yes
Exemption	7(c)-I

### China RoHS

Environment friendly use period (EFUP)	EFUP-50
	An article-related China RoHS declaration table can be found in the download area for the respective article under "Manufacturer declaration". For all articles with EFUP-E, no China RoHS declaration table issued and required.

### EU REACH SVHC

REACH candidate substance (CAS No.)	No substance above 0.1 wt%
-------------------------------------	----------------------------

### EF3.1 Climate Change

CO2e kg	0.687 kg CO2e
---------	---------------

Phoenix Contact 2026 © - all rights reserved  
<https://www.phoenixcontact.com>

Phoenix Contact USA  
586 Fulling Mill Road  
Middletown, PA 17057, United States  
(+717) 944-1300  
[info@phoenixcon.com](mailto:info@phoenixcon.com)