

AXL SE RS485 - Communication module



1088128

<https://www.phoenixcontact.com/us/products/1088128>

Please be informed that the data shown in this PDF document is generated from our online catalog. Please find the complete data in the user documentation. Our general terms of use for downloads are valid.



Axioline Smart Elements, Communication module, Serial data transmission, Communication module; interface: RS-485: 1; Transmission speed: 1200 bps ... 230,400 bps; degree of protection: IP20; Process data width: 20 bytes, Transparent protocol

Product description

You can integrate Axioline Smart Elements into systems with the Smart Element interface. This Smart Element is used to operate standard I/O devices with a serial interface on a bus system.

Your advantages

- One serial input and output channel in RS-485 format
- Data is transmitted in transparent mode
- Transmission speed can be set up to 230,400 bps
- Number of data bits, stop bits and parity can be set
- Device rating plate stored

Commercial data

| | |
|--------------------------------------|---------------|
| Item number | 1088128 |
| Packing unit | 1 pc |
| Minimum order quantity | 1 pc |
| Sales key | DR05 |
| Product key | DRIB51 |
| GTIN | 4055626888002 |
| Weight per piece (including packing) | 35 g |
| Weight per piece (excluding packing) | 35 g |
| Customs tariff number | 85176200 |
| Country of origin | DE |

AXL SE RS485 - Communication module



1088128

<https://www.phoenixcontact.com/us/products/1088128>

Technical data

Dimensions

| | |
|---------------------|--|
| Dimensional drawing |  |
| Width | 14.9 mm |
| Height | 62.2 mm |
| Depth | 62 mm |

Notes

Note on application

| | |
|---------------------|-------------------------|
| Note on application | Only for industrial use |
|---------------------|-------------------------|

Material specifications

| | |
|-----------------|-----------------|
| Color (Housing) | gray (RAL 7042) |
|-----------------|-----------------|

Interfaces

Smart Element interface

| | |
|-----------------------------------|--|
| Number of interfaces | 1 |
| Connection method | Card edge connector |
| Transmission speed | See system in which you use the Smart Element. |
| Start time until ready to operate | < 500 ms |

RS-485

| | |
|-------------------------------|---|
| Number of interfaces | 1 |
| Connection method | Push-in connection |
| Note on the connection method | Use shielded cables. |
| Transmission speed | 1200 bps ... 230,400 bps (can be parameterized) |
| Transmission physics | Copper |
| Termination resistor | 120 Ω (active, integrated) |
| Data bits | 7 or 8 |
| Stop bits | 1 or 2 |
| Input buffer | 4 kByte |
| Output buffer | 1 kByte |

System properties

Programming data (LocalbusSlave)

| | |
|----------------------|---------|
| Process data channel | 160 bit |
|----------------------|---------|

AXL SE RS485 - Communication module



1088128

<https://www.phoenixcontact.com/us/products/1088128>

| | |
|-----------------------------|---------|
| Input address area | 20 Byte |
| Output address area | 20 Byte |
| Fieldbus data telegram | |
| Required parameter data | 10 Byte |
| Required configuration data | 7 Byte |

Product properties

| | |
|--------------------|--|
| Product type | I/O component |
| Product family | Axioline Smart Elements |
| Type | modular |
| Mounting position | See the system in which the Smart Element is used. |
| Special properties | Process data width: 20 bytes Transparent protocol |

Insulation characteristics

| | |
|----------------------|------------------------------|
| Overvoltage category | II (IEC 60664-1, EN 60664-1) |
| Pollution degree | 2 (IEC 60664-1, EN 60664-1) |

Electrical properties

| | |
|---|-------|
| Maximum power dissipation for nominal condition | 0.7 W |
|---|-------|

Potentials: Communications power supply of the Smart Elements (U_{SE})

| | |
|----------------|----------------------------|
| Supply voltage | using card edge connectors |
|----------------|----------------------------|

Potentials: I/O supply (U_P)

| | |
|----------------------|--|
| Supply voltage | 24 V DC (using card edge connectors) |
| Supply voltage range | 19.2 V DC ... 30 V DC (including all tolerances, including ripple) |
| Current draw | max. 10 mA typ. 8 mA |
| Current consumption | min. 6 mA (without connected peripherals) |
| Protective circuit | Surge protection; See the system in which the Smart Element is used. Reverse polarity protection; Polarity protection diode |
| Protection | See the system in which the Smart Element is used. |

Electrical isolation/isolation of the voltage ranges

| | |
|---|------------------------|
| Test voltage: Communications supply / 24 V supply (I/O) | 500 V AC, 50 Hz, 1 min |
| Test voltage: Logic supply / RS-485 interface | 500 V AC, 50 Hz, 1 min |
| Test voltage: Communications supply / functional ground | 500 V AC, 50 Hz, 1 min |
| Test voltage: 24 V supply (I/O) / RS-485 interface | 500 V AC, 50 Hz, 1 min |
| Test voltage: 24 V supply (I/O) / functional ground | 500 V AC, 50 Hz, 1 min |
| Test voltage: RS-485 interface / functional ground | 500 V AC, 50 Hz, 1 min |

Connection data

Connection technology

AXL SE RS485 - Communication module



1088128

<https://www.phoenixcontact.com/us/products/1088128>

| | |
|-------------------------------|---|
| Connection name | I/O |
| Note on the connection method | Please observe the information provided on conductor cross-sections in the "AxioLine Smart Elements" user manual. |

I/O

| | |
|---|---|
| Connection method | Push-in connection |
| Note on the connection method | Please observe the information provided on conductor cross-sections in the "AxioLine Smart Elements" user manual. |
| Conductor cross-section, rigid | 0.25 mm ² ... 1.5 mm ² |
| Conductor cross-section, flexible | 0.25 mm ² ... 1.5 mm ² |
| Conductor cross-section AWG | 24 ... 16 |
| Conductor cross-section, flexible, with ferrule, with plastic sleeve | 0.25 mm ² ... 1.5 mm ² |
| Conductor cross-section, flexible, with ferrule, without plastic sleeve | 0.25 mm ² ... 1.5 mm ² 0.25 mm ² ... 1.5 mm ² |
| Conductor cross-section, flexible, with ferrule, with plastic sleeve | 0.25 mm ² ... 1.5 mm ² |
| Stripping length | 8 mm |

Environmental and real-life conditions

Ambient conditions

| | |
|--|---|
| Ambient temperature (operation) | -25 °C ... 60 °C |
| Degree of protection | IP20 |
| Air pressure (operation) | 70 kPa ... 106 kPa (up to 3000 m above sea level) |
| Air pressure (storage/transport) | 70 kPa ... 106 kPa (up to 3000 m above sea level) |
| Ambient temperature (storage/transport) | -40 °C ... 85 °C |
| Permissible humidity (operation) | 5 % ... 95 % (non-condensing) |
| Permissible humidity (storage/transport) | 5 % ... 95 % (non-condensing) |

Mechanical test

| | |
|--|-----|
| Vibration resistance in accordance with EN 60068-2-6/IEC 60068-2-6 | 5g |
| Shock in accordance with EN 60068-2-27/IEC 60068-2-27 | 30g |
| Continuous shock in accordance with EN 60068-2-27/IEC 60068-2-27 | 10g |

Standards and regulations

| | |
|------------------|---------------------------------------|
| Protection class | III (IEC 61140, EN 61140, VDE 0140-1) |
|------------------|---------------------------------------|

Mounting

| | |
|-------------------|--|
| Mounting type | Plug-in mounting (Smart Element slot) |
| Mounting position | See the system in which the Smart Element is used. |

AXL SE RS485 - Communication module

1088128

<https://www.phoenixcontact.com/us/products/1088128>

Drawings

Dimensional drawing



Dimensions

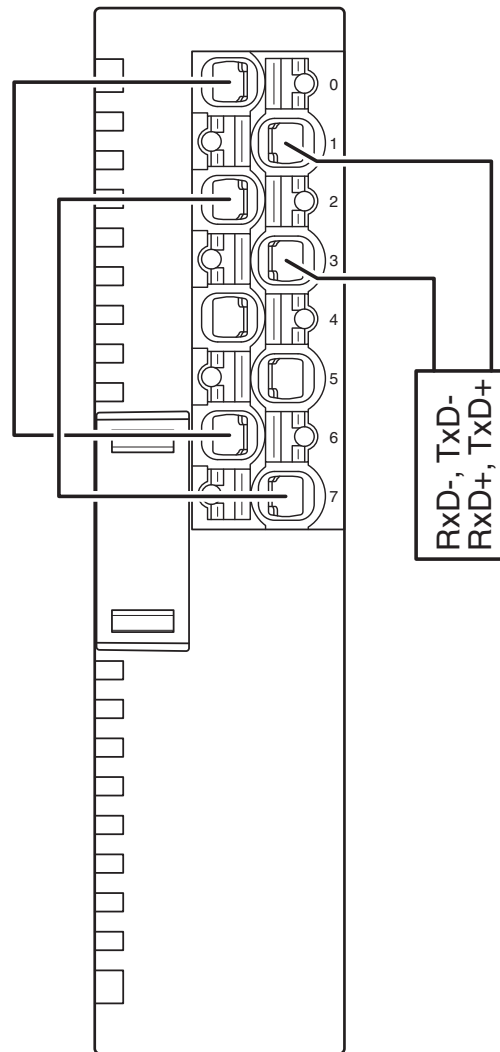
AXL SE RS485 - Communication module

1088128

<https://www.phoenixcontact.com/us/products/1088128>



Connection diagram



Smart Element as the network end point

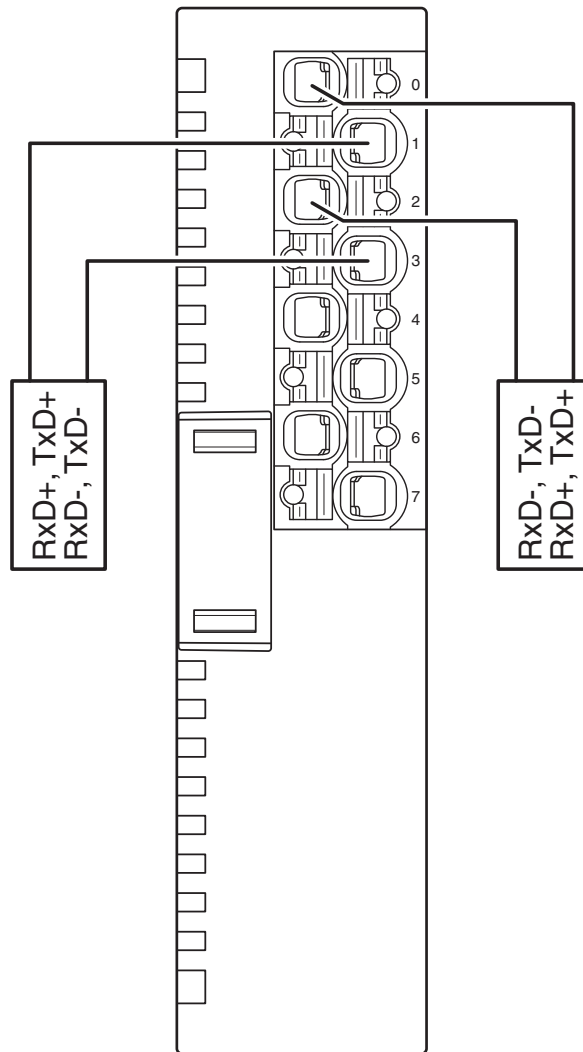
AXL SE RS485 - Communication module

1088128

<https://www.phoenixcontact.com/us/products/1088128>



Connection diagram



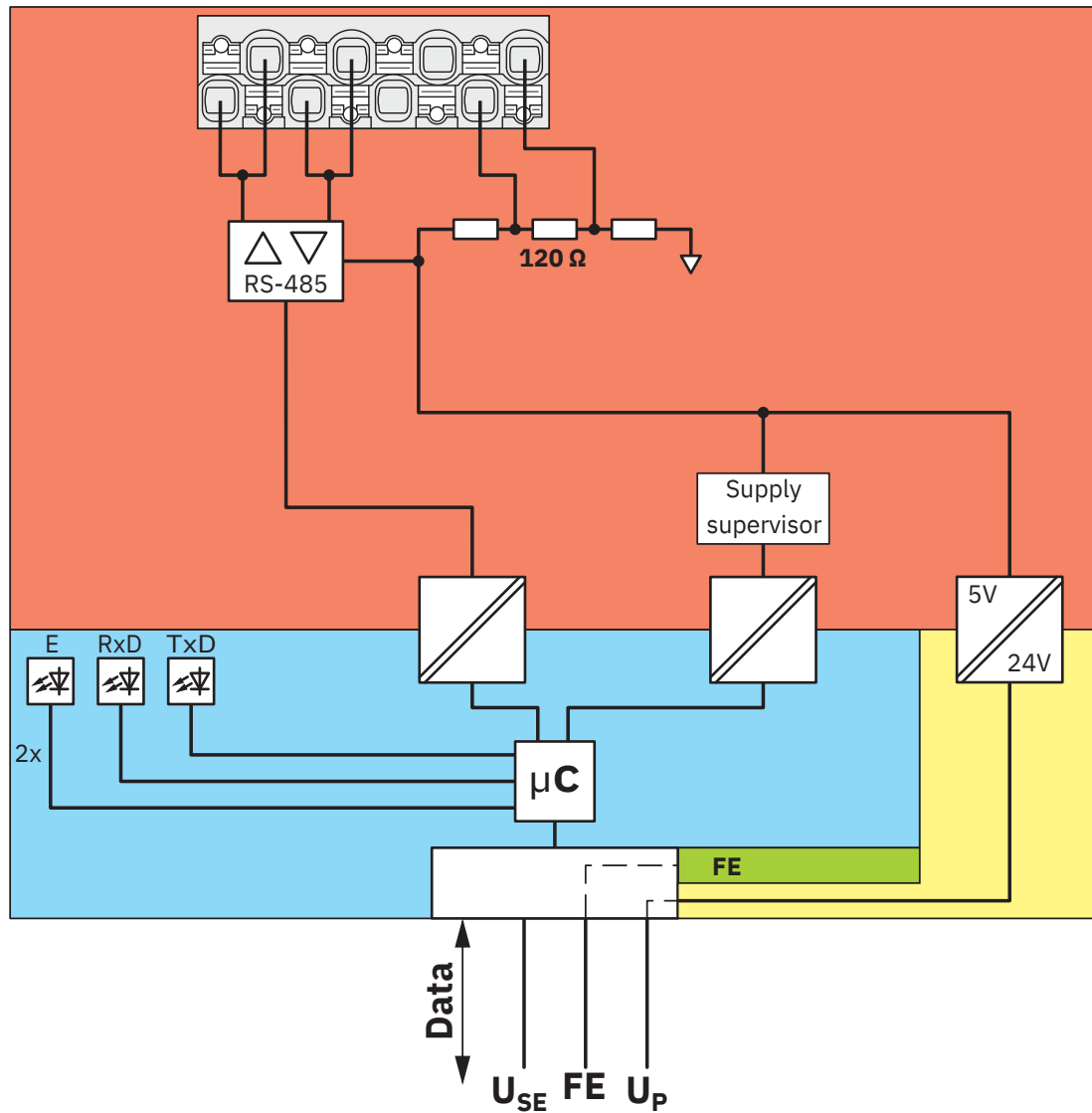
Smart Element in the middle of a network

AXL SE RS485 - Communication module

1088128

<https://www.phoenixcontact.com/us/products/1088128>

Block diagram



Internal wiring of the terminal points

AXL SE RS485 - Communication module



1088128

<https://www.phoenixcontact.com/us/products/1088128>

Approvals

To download certificates, visit the product detail page: <https://www.phoenixcontact.com/us/products/1088128>



LR

Approval ID: LR23402057TA

DNV

Approval ID: TAA00003B0



RINA

Approval ID: ELE263623XG

ABS

Approval ID: 24-2510075-PDA



cULus Listed

Approval ID: E238705

AXL SE RS485 - Communication module



1088128

<https://www.phoenixcontact.com/us/products/1088128>

Classifications

ECLASS

| | |
|-------------|----------|
| ECLASS-13.0 | 27242608 |
| ECLASS-15.0 | 27242608 |

ETIM

| | |
|-----------|----------|
| ETIM 10.0 | EC001604 |
|-----------|----------|

UNSPSC

| | |
|-------------|----------|
| UNSPSC 21.0 | 32151600 |
|-------------|----------|

AXL SE RS485 - Communication module



1088128

<https://www.phoenixcontact.com/us/products/1088128>

Environmental product compliance

EU RoHS

| | |
|---|--------------|
| Fulfills EU RoHS substance requirements | Yes |
| Exemption | 7(a), 7(c)-I |

China RoHS

| | |
|--|---|
| Environment friendly use period (EFUP) | EFUP-50 |
| | An article-related China RoHS declaration table can be found in the download area for the respective article under "Manufacturer declaration". For all articles with EFUP-E, no China RoHS declaration table issued and required. |

EU REACH SVHC

| | |
|-------------------------------------|----------------------|
| REACH candidate substance (CAS No.) | Lead(CAS: 7439-92-1) |
|-------------------------------------|----------------------|

EF3.1 Climate Change

| | |
|---------|---------------|
| CO2e kg | 2.422 kg CO2e |
|---------|---------------|

Phoenix Contact 2026 © - all rights reserved
<https://www.phoenixcontact.com>

Phoenix Contact USA
586 Fulling Mill Road
Middletown, PA 17057, United States
(+717) 944-1300
info@phoenixcon.com