

# AXL SE AO4 U 0-10 - Analog module



1088126

<https://www.phoenixcontact.com/us/products/1088126>

Please be informed that the data shown in this PDF document is generated from our online catalog. Please find the complete data in the user documentation. Our general terms of use for downloads are valid.



Axioline Smart Elements, Analog output module, Analog outputs: 4, 0 V ... 10 V, connection technology: 2-conductor, degree of protection: IP20

## Product description

You can integrate Axioline Smart Elements into systems with the Smart Element interface. This Smart Element emits analog signals.

## Your advantages

- 4 analog output channels
- Connection of actuators in 2-conductor technology
- Voltage range: 0 V ... 10 V
- Data format: standardized representation
- Resolution: 12 bits
- Substitute value behavior can be parameterized for each output
- Device rating plate stored

## Commercial data

Item number	1088126
Packing unit	1 pc
Minimum order quantity	1 pc
Sales key	DR05
Product key	DRIB42
GTIN	4055626886367
Weight per piece (including packing)	39.1 g
Weight per piece (excluding packing)	35 g
Customs tariff number	85389091
Country of origin	DE

# AXL SE AO4 U 0-10 - Analog module



1088126

<https://www.phoenixcontact.com/us/products/1088126>

## Technical data

### Dimensions

Dimensional drawing	
Width	14.9 mm
Height	62.2 mm
Depth	62 mm

### Notes

Note on application

Note on application	Only for industrial use
---------------------	-------------------------

### Material specifications

Color (Housing)	gray (RAL 7042)
-----------------	-----------------

### Interfaces

Smart Element interface

Number of interfaces	1
Connection method	Card edge connector
Transmission speed	See system in which you use the Smart Element.
Start time until ready to operate	< 1000 ms

### System properties

Programming data (LocalbusSlave)

Process data channel	64 bit
Input address area	8 Byte
Output address area	8 Byte

Fieldbus data telegram

Required parameter data	15 Byte
Required configuration data	7 Byte

### Output data

Analog:

Output name	Analog outputs
Connection method	Push-in technology

# AXL SE AO4 U 0-10 - Analog module



1088126

<https://www.phoenixcontact.com/us/products/1088126>

Connection technology	2-conductor
Note regarding the connection technology	shielded, twisted pair
Number of outputs	4
D/A converter resolution	12 bit
Protective circuit	Short-circuit and overload protection; electronic Transient protection
Data formats	Standardized representation
Representation of output values	16 bits
Process data update	typ. 1 ms
Voltage output signal	0 V ... 10 V
Load/output load voltage output	> 2 kΩ
Permissible cable length	max. 250 m

## Product properties

Product type	I/O component
Product family	Axioline Smart Elements
Type	modular
Mounting position	See the system in which the Smart Element is used.

## Insulation characteristics

Overvoltage category	II (IEC 60664-1, EN 60664-1)
Pollution degree	2 (IEC 60664-1, EN 60664-1)

## Electrical properties

Maximum power dissipation for nominal condition	2.15 W
---	--------

## Potentials: Communications power supply of the Smart Elements ( $U_{SE}$ )

Supply voltage	using card edge connectors
----------------	----------------------------

## Potentials: I/O supply ( $U_P$ )

Supply voltage	24 V DC (using card edge connectors)
Supply voltage range	19.2 V DC ... 30 V DC (including all tolerances, including ripple)
Current draw	max. 95 mA typ. 80 mA
Current consumption	min. 30 mA (without connected peripherals)
Protective circuit	Surge protection; See the system in which the Smart Element is used. Reverse polarity protection; Polarity protection diode
Protection	See the system in which the Smart Element is used.

## Electrical isolation/isolation of the voltage ranges

Test voltage: Communications supply / 24 V supply (I/O)	500 V AC, 50 Hz, 1 min
Test voltage: Communications supply / functional ground	500 V AC, 50 Hz, 1 min
Test voltage: Logic supply/analog outputs	500 V AC, 50 Hz, 1 min
Test voltage: 24 V supply (I/O) / functional ground	500 V AC, 50 Hz, 1 min
Test voltage: 24 V supply (I/O)/analog outputs	500 V AC, 50 Hz, 1 min

# AXL SE AO4 U 0-10 - Analog module



1088126

<https://www.phoenixcontact.com/us/products/1088126>

Test voltage: Analog outputs/functional ground	500 V AC, 50 Hz, 1 min
--	------------------------

## Connection data

### Connection technology

Connection name	I/O
Note on the connection method	Please observe the information provided on conductor cross-sections in the "Axioline Smart Elements" user manual.

### I/O

Connection method	Push-in connection
Note on the connection method	Please observe the information provided on conductor cross-sections in the "Axioline Smart Elements" user manual.
Conductor cross-section, rigid	0.25 mm <sup>2</sup> ... 1.5 mm <sup>2</sup>
Conductor cross-section, flexible	0.25 mm <sup>2</sup> ... 1.5 mm <sup>2</sup>
Conductor cross-section AWG	24 ... 16
Conductor cross-section, flexible, with ferrule, with plastic sleeve	0.25 mm <sup>2</sup> ... 1.5 mm <sup>2</sup>
Conductor cross-section, flexible, with ferrule, without plastic sleeve	0.25 mm <sup>2</sup> ... 1.5 mm <sup>2</sup> 0.25 mm <sup>2</sup> ... 1.5 mm <sup>2</sup>
Conductor cross-section, flexible, with ferrule, with plastic sleeve	0.25 mm <sup>2</sup> ... 1.5 mm <sup>2</sup>
Stripping length	8 mm

## Environmental and real-life conditions

### Ambient conditions

Ambient temperature (operation)	-25 °C ... 60 °C
Degree of protection	IP20
Air pressure (operation)	70 kPa ... 106 kPa (up to 3000 m above sea level)
Air pressure (storage/transport)	70 kPa ... 106 kPa (up to 3000 m above sea level)
Ambient temperature (storage/transport)	-40 °C ... 85 °C
Permissible humidity (operation)	5 % ... 95 % (non-condensing)
Permissible humidity (storage/transport)	5 % ... 95 % (non-condensing)

### Mechanical test

Vibration resistance in accordance with EN 60068-2-6/IEC 60068-2-6	5g
Shock in accordance with EN 60068-2-27/IEC 60068-2-27	30g
Continuous shock in accordance with EN 60068-2-27/IEC 60068-2-27	10g

## Standards and regulations

Protection class	III (IEC 61140, EN 61140, VDE 0140-1)
------------------	---------------------------------------

## Mounting

Mounting type	Plug-in mounting (Smart Element slot)
Mounting position	See the system in which the Smart Element is used.

# AXL SE AO4 U 0-10 - Analog module

1088126

<https://www.phoenixcontact.com/us/products/1088126>



## Drawings

Dimensional drawing



## Dimensions

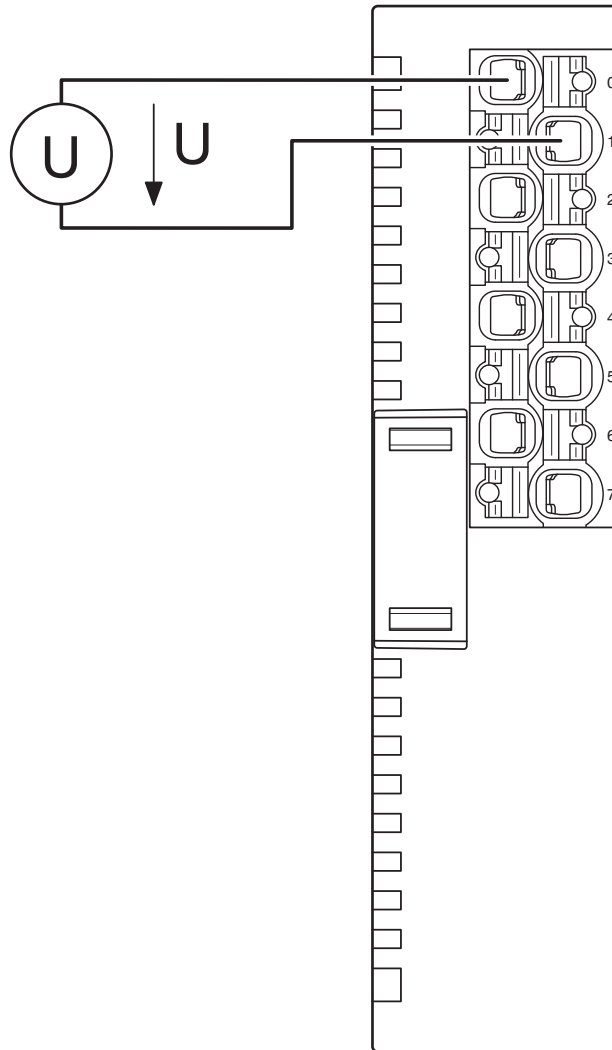
# AXL SE AO4 U 0-10 - Analog module

1088126

<https://www.phoenixcontact.com/us/products/1088126>



Connection diagram



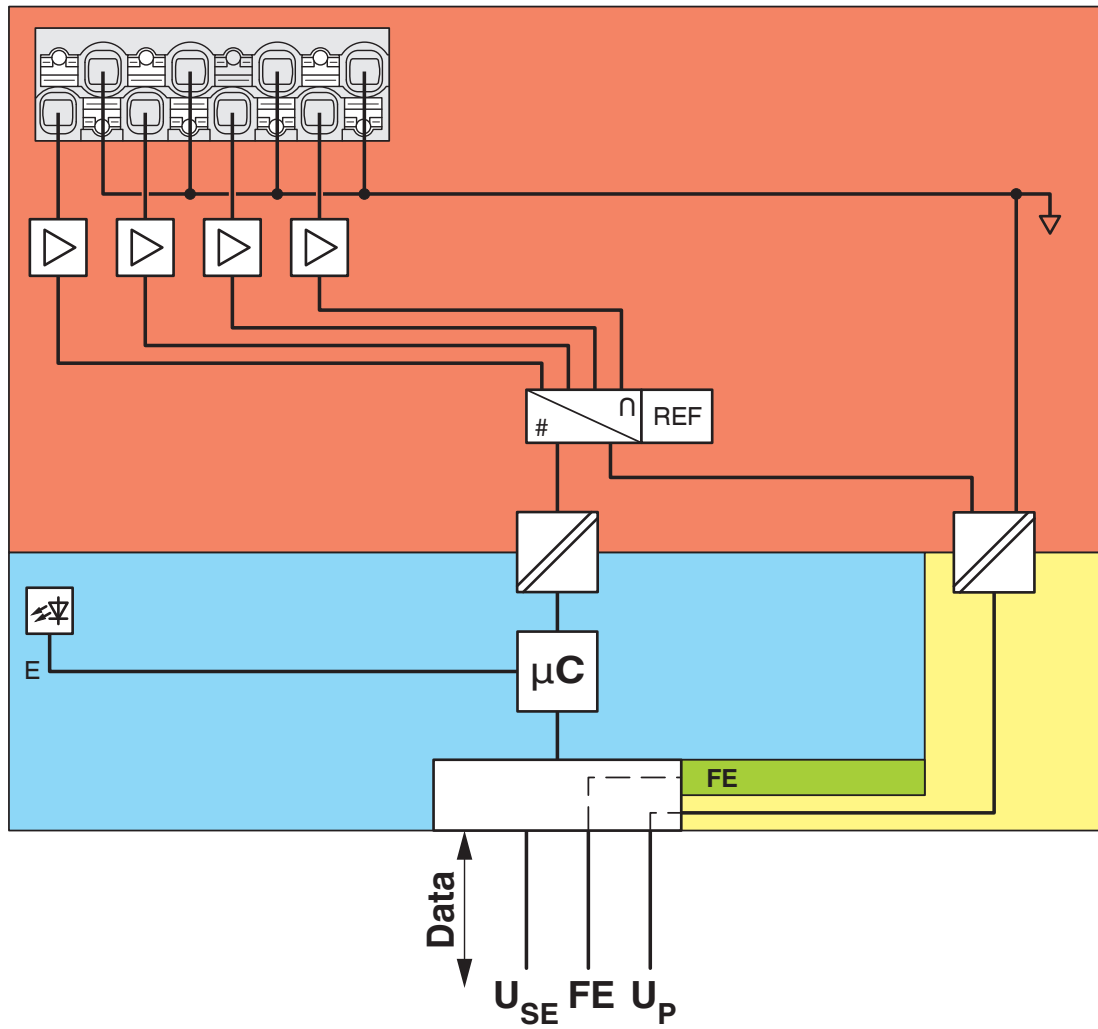
Connection example

# AXL SE AO4 U 0-10 - Analog module

1088126

<https://www.phoenixcontact.com/us/products/1088126>

Block diagram



Internal wiring of the terminal points

# AXL SE AO4 U 0-10 - Analog module



1088126

<https://www.phoenixcontact.com/us/products/1088126>

## Approvals

To download certificates, visit the product detail page: <https://www.phoenixcontact.com/us/products/1088126>



**cULus Listed**

Approval ID: E238705

# AXL SE AO4 U 0-10 - Analog module



1088126

<https://www.phoenixcontact.com/us/products/1088126>

## Classifications

### ECLASS

ECLASS-13.0	27242601
ECLASS-15.0	27242601

### ETIM

ETIM 10.0	EC001596
-----------	----------

### UNSPSC

UNSPSC 21.0	32151600
-------------	----------

# AXL SE AO4 U 0-10 - Analog module



1088126

<https://www.phoenixcontact.com/us/products/1088126>

## Environmental product compliance

### EU RoHS

Fulfills EU RoHS substance requirements	Yes
Exemption	7(a), 7(c)-I, 7(c)-II

### China RoHS

Environment friendly use period (EFUP)	EFUP-50
	An article-related China RoHS declaration table can be found in the download area for the respective article under "Manufacturer declaration". For all articles with EFUP-E, no China RoHS declaration table issued and required.

### EU REACH SVHC

REACH candidate substance (CAS No.)	Lead(CAS: 7439-92-1)
SCIP	3872f6d1-b487-44c4-9ee4-9f49b3f28998

### EF3.1 Climate Change

CO2e kg	7.975 kg CO2e
---------	---------------

Phoenix Contact 2026 © - all rights reserved  
<https://www.phoenixcontact.com>

Phoenix Contact USA  
586 Fulling Mill Road  
Middletown, PA 17057, United States  
(+717) 944-1300  
[info@phoenixcon.com](mailto:info@phoenixcon.com)