

# AXL P EX IS DO4 SD 24-48 1F - Digital module



1087077

<https://www.phoenixcontact.com/us/products/1087077>

Please be informed that the data shown in this PDF document is generated from our online catalog. Please find the complete data in the user documentation. Our general terms of use for downloads are valid.



Axioline P, Digital output module, Digital outputs: 4, 24 V DC, 48 mA, connection technology: 2-conductor, Solenoid drive, intrinsically safe, transmission speed in the local bus: 100 Mbps, degree of protection: IP20, including bus base module and connectors

## Product description

The module is an Axioline P I/O module for use in the Axioline P modular I/O system. The module is a modular I/O device that can be affixed to the Axioline P local bus, to communicate I/O data up to the Axioline P bus coupler, which forms the head of the station. As an intrinsic safety I/O module, this device allows direct connection from intrinsically safe field I/Os to the terminals of the module. The module is fully hot-swappable and may be removed while under power. The module digital output characteristics of 24 V DC and 48 mA allow the connection of up to four solenoid driven, digital output signals.

## Your advantages

- Four 24 V DC - 48 mA digital output-powered control signals for solenoid drives
- Intrinsically safe digital outputs with connection to Zone 1, Zone 0 or Division 1
- Temperature range: -40 °C ... +70 °C
- Hot-swappable

## Commercial data

Item number	1087077
Packing unit	1 pc
Minimum order quantity	1 pc
Sales key	NULL
Product key	DRIP32
GTIN	4055626882192
Weight per piece (including packing)	400 g
Weight per piece (excluding packing)	266.4 g
Customs tariff number	85389099
Country of origin	US

# AXL P EX IS DO4 SD 24-48 1F - Digital module



1087077

<https://www.phoenixcontact.com/us/products/1087077>

## Technical data

### Dimensions

Dimensional drawing	
Width	53.6 mm
Height	126.1 mm
Depth	77.14 mm
Note on dimensions	The depth applies when a TH 35-7.5 DIN rail is used (in accordance with EN 60715).

### Notes

Note on application	
Note on application	Only for industrial use
Utilization restriction	
EMC note	EMC: class A product, see manufacturer's declaration in the download area
Utilization restriction	
CCCEX note	Use in potentially explosive areas is not permitted in China.

### Material specifications

Color (Housing)	gray (RAL 7042)
-----------------	-----------------

### Interfaces

Axioline P local bus	
Number of interfaces	2
Connection method	Bus base module
Transmission speed	100 Mbps

### System properties

Programming data	
Input address area	0 Byte
Output address area	1 Byte

### Output data

Digital:	
Output name	Digital outputs

# AXL P EX IS DO4 SD 24-48 1F - Digital module



1087077

<https://www.phoenixcontact.com/us/products/1087077>

Connection method	Push-in connection
Connection technology	2-conductor
Number of outputs	4
Protective circuit	Polarity reversal protection of the outputs
Output voltage	24 V
Output current	48 mA (Per channel)
Maximum output current per channel	48 mA
Nominal output voltage	24 V DC

## Product properties

Product type	I/O component
Product family	Axioline P
Type	block modular
Mounting position	any (no temperature derating)
Scope of supply	including bus base module and connectors
Special properties	Solenoid drive intrinsically safe

## Insulation characteristics

Overvoltage category	II (IEC 60664-1, EN 60664-1)
Pollution degree	2 (IEC 60664-1, EN 60664-1)

## Electrical properties

Maximum power dissipation for nominal condition	7.49 W
-------------------------------------------------	--------

## Potentials: Supply voltage ( $U_L$ )

Supply voltage	24 V DC (via bus base module)
Supply voltage range	19.2 V DC ... 30 V DC
Current draw	max. 455 mA (via bus base module) typ. 324 mA (via bus base module)
Protective circuit	Surge protection; electronic (35 V, 0.5 s) Reverse polarity protection; Polarity protection diode Transient protection; Suppressor diode

## Potentials: Axioline P local bus supply ( $U_{BUS}$ )

Supply voltage	5 V DC (via bus base module)
Current draw	max. 135 mA typ. 110 mA

## Electrical isolation/isolation of the voltage ranges

Test voltage: 5 V supply of the local bus ( $U_{BUS}$ ) / functional ground	500 V AC, 60 Hz, 1 min
Test voltage: 5 V supply of the local bus ( $U_{BUS}$ ) / analog inputs	1500 V AC, 60 Hz, 1 min
Test voltage: 24 V supply (I/O) / functional ground	500 V AC, 60 Hz, 1 min
Test voltage: 24 V supply (I/O) / analog inputs	1500 V AC, 60 Hz, 1 min
Test voltage: Analog inputs / functional ground	500 V AC, 60 Hz, 1 min

1087077

<https://www.phoenixcontact.com/us/products/1087077>

## Connection data

### Connection technology

Connection name	Axiline P connector
Note on the connection method	Please observe the information provided on conductor cross-sections in the "Axiline P: System and installation" user manual.

### Axiline P connector

Connection method	Push-in connection
Note on the connection method	Please observe the information provided on conductor cross-sections in the "Axiline P: System and installation" user manual.
Conductor cross-section, rigid	0.2 mm <sup>2</sup> ... 1.5 mm <sup>2</sup>
Conductor cross-section, flexible	0.2 mm <sup>2</sup> ... 1.5 mm <sup>2</sup>
Conductor cross-section AWG	24 ... 16
Stripping length	8 mm

## Environmental and real-life conditions

### Ambient conditions

Ambient temperature (operation)	-40 °C ... 70 °C
Degree of protection	IP20
Air pressure (operation)	70 kPa ... 106 kPa (up to 2000 m above sea level)
Air pressure (storage/transport)	70 kPa ... 106 kPa (up to 2000 m above sea level)
Ambient temperature (storage/transport)	-40 °C ... 85 °C
Permissible humidity (operation)	5 % ... 95 % (non-condensing)
Permissible humidity (storage/transport)	5 % ... 95 % (non-condensing)

### Mechanical test

Vibration resistance in accordance with EN 60068-2-6/IEC 60068-2-6	5g
Shock in accordance with EN 60068-2-27/IEC 60068-2-27	30g
Continuous shock in accordance with EN 60068-2-27/IEC 60068-2-27	10g

## Standards and regulations

Protection class	III (IEC 61140, EN 61140, VDE 0140-1)
------------------	---------------------------------------

## Approvals

### ATEX

Identification	II 3(1) G Ex ec [ia Ga] IIC T4 Gc II (1) D [Ex ia Da] IIIC
Certificate	DEMKO 20 ATEX 2370X

### IECEX

Identification	Ex ec [ia Ga] IIC T4 Gc [Ex ia Da] IIIC
Certificate	IECEX UL 20.0044X

1087077

<https://www.phoenixcontact.com/us/products/1087077>

## UKCA Ex (UKEX)

Identification	II 3(1) G Ex ec [ia Ga] IIC T4 Gc II (1) D [Ex ia Da] IIIC
Certificate	UL22UKEX2508X

## UL, USA/Canada

Identification	cULus
Certificate	E238705

## UL Ex, USA / Canada

Identification	Class I, Division 2, Groups A, B, C, D, T4
	Intrinsically safe connections to: Class I, Groups A, B, C, D; Class II, Groups E, F, G; Class III; [Ex ia] Haz loc
	Class I, Zone 2, AEx ec [ia Ga] IIC T4 Gc
	[AEx ia Da] IIIC
	Ex ec [ia Ga] IIC T4 Gc
Certificate	[Ex ia Da] IIIC
	E196811

## CCC / China-Ex

Identification	Ex ec [ia Ga] IIC T4 Gc
	[Ex ia Da] IIIC

## Ex data

UL, USA / Canada	Ind. Cont. Eq. (E238705) also Listed Ind. Cont. Eq. for haz. loc. E196811 Install in: Class I, Div. 2, Groups A, B, C, D T4 Intrinsically safe outputs for: Class I, Groups A, B, C, D; Class II, Groups E, F, G; Class III; [Ex ia] Haz loc Class I, Zone 2, AEx ec [ia Ga] IIC T4 Gc [AEx ia Da] IIIC Ex ec [ia Ga] IIC T4 Gc [Ex ia Da] IIIC
------------------	-------------------------------------------------------------------------------------------------------------------------------------------------------------------------------------------------------------------------------------------------------------------------------------------------------------------------------------------------------------------------

## Mounting

Mounting type	DIN rail mounting
Mounting position	any (no temperature derating)

## Ex data

### Safety data

Max. output voltage $U_o$	27.3 V
Max. output current $I_o$	99 mA
Max. output power $P_o$	676 mW
Safety-related maximum voltage $U_m$	250 V
A, B / IIC: Max. external inductivity $L_o$ / Max. external capacitance $C_o$	1.189 mH / 0.088 $\mu$ F
C/IIB, IIIC: Max. external inductivity $L_o$ / Max. external capacitance $C_o$	12.9 mH / 0.683 $\mu$ F

# AXL P EX IS DO4 SD 24-48 1F - Digital module



1087077

<https://www.phoenixcontact.com/us/products/1087077>

D/IIA, E, F, G, Class III: Max. external inductivity  $L_o$  / Max. external capacitance  $C_o$

27.41 mH / 2.28  $\mu$ F

# AXL P EX IS DO4 SD 24-48 1F - Digital module

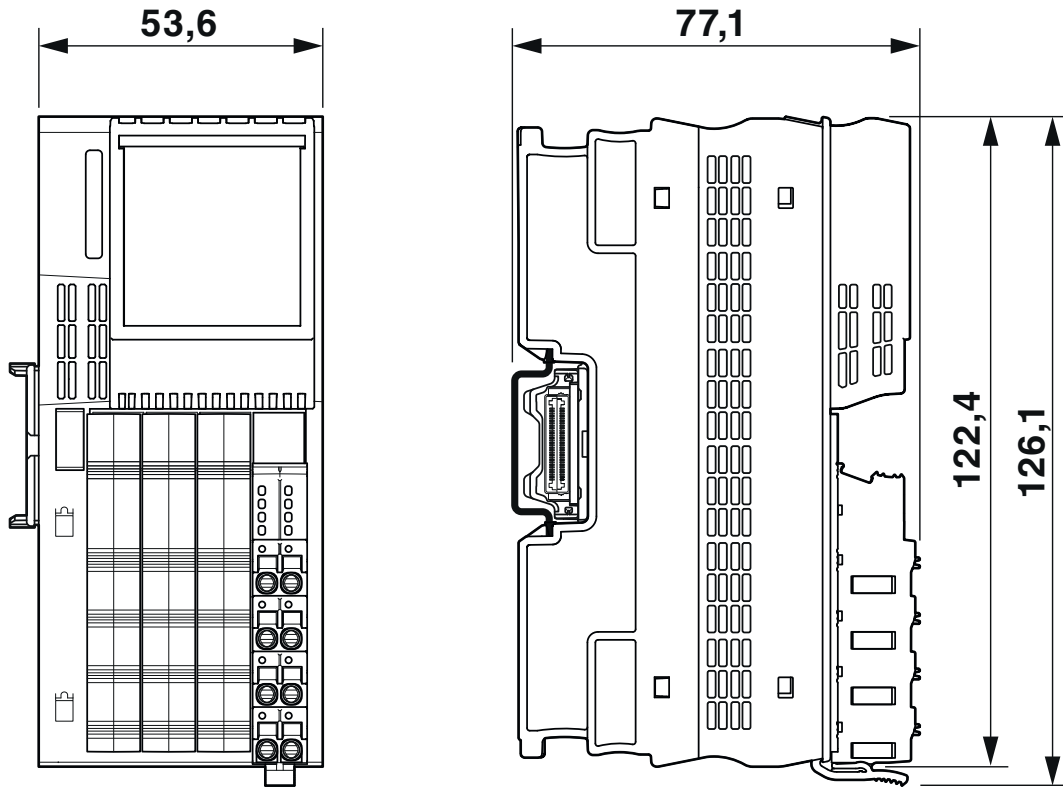


1087077

<https://www.phoenixcontact.com/us/products/1087077>

## Drawings

Dimensional drawing



1087077

<https://www.phoenixcontact.com/us/products/1087077>

## Approvals

To download certificates, visit the product detail page: <https://www.phoenixcontact.com/us/products/1087077>



**cULus Listed**

Approval ID: E238705



**IECEX**

Approval ID: IECEX UL 20.0044X



**CCC**

Approval ID: 2025122316122298



**cUL Listed**

Approval ID: FILE E196811



**UL Listed**

Approval ID: FILE E196811



**ATEX**

Approval ID: DEMKO 20 ATEX 2370X



**UKCA-EX**

Approval ID: UL22UKEX2508X

# AXL P EX IS DO4 SD 24-48 1F - Digital module



1087077

<https://www.phoenixcontact.com/us/products/1087077>

## Classifications

### ECLASS

ECLASS-13.0	27242604
ECLASS-15.0	27242604

### ETIM

ETIM 10.0	EC001599
-----------	----------

### UNSPSC

UNSPSC 21.0	32151600
-------------	----------

1087077

<https://www.phoenixcontact.com/us/products/1087077>

## Environmental product compliance

### EU RoHS

Fulfills EU RoHS substance requirements	Yes
Exemption	7(a), 7(c)-I

### China RoHS

Environment friendly use period (EFUP)	EFUP-25
	An article-related China RoHS declaration table can be found in the download area for the respective article under "Manufacturer declaration". For all articles with EFUP-E, no China RoHS declaration table issued and required.

### EU REACH SVHC

REACH candidate substance (CAS No.)	Lead(CAS: 7439-92-1)
SCIP	e2c58d1e-7113-4b2a-9a96-b3b737985926

Phoenix Contact 2026 © - all rights reserved

<https://www.phoenixcontact.com>

Phoenix Contact USA  
586 Fulling Mill Road  
Middletown, PA 17057, United States  
(+717) 944-1300  
[info@phoenixcon.com](mailto:info@phoenixcon.com)