

AXL F EX IS DO4 SD 21-60 XC 1F - Digital module



1086902

<https://www.phoenixcontact.com/us/products/1086902>

Please be informed that the data shown in this PDF document is generated from our online catalog. Please find the complete data in the user documentation. Our general terms of use for downloads are valid.



Axioline F, Digital output module, Digital outputs: 4, 21 V, connection technology: 2-conductor, Solenoid drive, Extreme conditions version, intrinsically safe, transmission speed in the local bus: 100 Mbps, degree of protection: IP20, including bus base module and Axioline F connectors

Product description

The module is an Axioline F I/O module for use in the Axioline F modular I/O system. The module is a modular I/O device that can be affixed to the Axioline F local bus, to communicate I/O data up to the Axioline F controller or bus coupler, which forms the head of the station. As an intrinsic safety I/O module, this device allows direct connection from intrinsically safe field I/Os to the terminals of the module. The module digital output characteristics of 21 V DC and 60 mA allow the connection of up to four solenoid driven, digital output signals.

Your advantages

- Four 21 V DC - 60 mA digital output-powered control signals for solenoid drives
- Intrinsically safe digital outputs with connection to Zone 1, Zone 0 or Division 1
- Can be used under extreme ambient conditions
- Extended temperature range of -40 °C ... +70 °C (see "Tested successfully: use under extreme ambient conditions" in the data sheet)



Commercial data

Item number	1086902
Packing unit	1 pc
Minimum order quantity	1 pc
Sales key	DR02
Product key	DRI2E4
GTIN	4055626880679
Weight per piece (including packing)	397.3 g
Weight per piece (excluding packing)	241 g

AXL F EX IS DO4 SD 21-60 XC 1F - Digital module



1086902

<https://www.phoenixcontact.com/us/products/1086902>

Customs tariff number	85389099
Country of origin	US

AXL F EX IS DO4 SD 21-60 XC 1F - Digital module

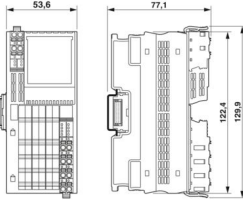


1086902

<https://www.phoenixcontact.com/us/products/1086902>

Technical data

Dimensions

Dimensional drawing	
Width	53.6 mm
Height	129.9 mm
Depth	77.1 mm
Note on dimensions	The depth applies when a TH 35-7.5 DIN rail is used (in accordance with EN 60715).

Notes

Note on application	
Note on application	Only for industrial use
Utilization restriction	
EMC note	EMC: class A product, see manufacturer's declaration in the download area
Utilization restriction	
CCCex note	Use in potentially explosive areas is not permitted in China.

Material specifications

Color (Housing)	gray (RAL 7042)
-----------------	-----------------

Interfaces

Axiline F local bus	
Number of interfaces	2
Connection method	Bus base module
Transmission speed	100 Mbps

System properties

Programming data (LocalbusSlave)	
Input address area	0 Byte
Output address area	1 Byte
Fieldbus data telegram (PROFIBUS)	
Required parameter data	5 Byte
Required configuration data	6 Byte

1086902

<https://www.phoenixcontact.com/us/products/1086902>

Output data

Digital:

Output name	Digital outputs
Connection method	Push-in connection
Connection technology	2-conductor
Number of outputs	4
Output voltage	21 V
Maximum output current per channel	60 mA
Nominal output voltage	21 V

Product properties

Product type	I/O component
Product family	Axioline F
Type	block modular
Mounting position	any (no temperature derating)
Scope of supply	including bus base module and Axioline F connectors
Special properties	Solenoid drive
	Extreme conditions version
	intrinsically safe

Insulation characteristics

Overvoltage category	II (IEC 60664-1, EN 60664-1)
Pollution degree	2 (IEC 60664-1, EN 60664-1)

Electrical properties

Maximum power dissipation for nominal condition	5.27 W
---	--------

Potentials: Axioline F local bus supply (U_{BUS})

Supply voltage	5 V DC (via bus base module)
Current draw	max. 60 mA
	typ. 40 mA

Potentials: Supply for digital output modules (U_O)

Supply voltage	24 V DC
Supply voltage range	19.2 V DC ... 30 V DC (including all tolerances, including ripple)
Current draw	max. 420 mA
Protective circuit	Surge protection; electronic (35 V, 0.5 s)
	Reverse polarity protection; Polarity protection diode
	Transient protection; Suppressor diode

Electrical isolation/isolation of the voltage ranges

Test voltage: 5 V supply of the local bus (U_{BUS}) / 24 V supply (I/Os)	500 V AC, 60 Hz, 1 min
Test voltage: 5 V supply of the local bus (U_{BUS}) / functional ground	500 V AC, 60 Hz, 1 min

AXL F EX IS DO4 SD 21-60 XC 1F - Digital module



1086902

<https://www.phoenixcontact.com/us/products/1086902>

Test voltage: 5 V supply of the local bus (U_{BUS}) / digital outputs	1500 V AC, 60 Hz, 1 min
Test voltage: 24 V supply (I/O) / functional ground	500 V AC, 60 Hz, 1 min
Test voltage: 24 V supply (I/O) / digital outputs	1500 V AC, 60 Hz, 1 min
Test voltage: Digital outputs / functional ground	500 V AC, 60 Hz, 1 min

Connection data

Connection technology

Connection name	Axioline F connector
Note on the connection method	Please observe the information provided on conductor cross-sections in the "Axioline F: system and installation" user manual.

Axioline F connector

Connection method	Push-in connection
Note on the connection method	Please observe the information provided on conductor cross-sections in the "Axioline F: system and installation" user manual.
Conductor cross-section, rigid	0.2 mm ² ... 1.5 mm ²
Conductor cross-section, flexible	0.2 mm ² ... 1.5 mm ²
Conductor cross-section AWG	24 ... 16
Stripping length	8 mm

Environmental and real-life conditions

Ambient conditions

Ambient temperature (operation)	-25 °C ... 60 °C (Standard) -40 °C ... 70 °C (Extended, see section "Tested successfully: use under extreme ambient conditions" in the data sheet.)
Degree of protection	IP20
Air pressure (operation)	70 kPa ... 106 kPa (up to 3000 m above sea level)
Air pressure (storage/transport)	70 kPa ... 106 kPa (up to 3000 m above sea level)
Ambient temperature (storage/transport)	-40 °C ... 85 °C
Permissible humidity (operation)	5 % ... 95 % (non-condensing)
Permissible humidity (storage/transport)	5 % ... 95 % (non-condensing)

Mechanical test

Vibration resistance in accordance with EN 60068-2-6/IEC 60068-2-6	5g
Shock in accordance with EN 60068-2-27/IEC 60068-2-27	30g
Continuous shock in accordance with EN 60068-2-27/IEC 60068-2-27	10g

Standards and regulations

Protection class	III (IEC 61140, EN 61140, VDE 0140-1)
------------------	---------------------------------------

Approvals

ATEX

Identification	II 3(1) G Ex ec [ia IIB Ga] IIC T4 Gc II (1) D [Ex ia Da] IIIC
----------------	---

1086902

<https://www.phoenixcontact.com/us/products/1086902>

Certificate	DEMKO 20 ATEX 2370X
-------------	---------------------

IECEX

Identification	Ex ec [ia IIB Ga] IIC T4 Gc [Ex ia Da] IIIC
Certificate	IECEX UL 20.0044X

UKCA Ex (UKEX)

Identification	II 3(1) G Ex ec [ia IIB Ga] IIC T4 Gc II (1) D [Ex ia Da] IIIC
Certificate	UL22UKEX2508X

UL, USA/Canada

Identification	cULus
Certificate	E238705

UL Ex, USA / Canada

Identification	Class I, Division 2, Groups A, B, C, D, T4
	Intrinsically safe connections to: Class I, Groups A, B, C, D; Class II, Groups E, F, G; Class III; [Ex ia] Haz loc
	Class I, Zone 2, AEx ec [ia IIB Ga] IIC T4 Gc
	[AEx ia Da] IIIC
	Ex ec [ia IIB Ga] IIC T4 Gc
Certificate	[Ex ia Da] IIIC
	E196811

CCC / China-Ex

Identification	Ex ec [ia IIB Ga] IIC T4 Gc
	[Ex ia Da] IIIC

Ex data

UL, USA / Canada	Ind. Cont. Eq. (E238705) also Listed Ind. Cont. Eq. for haz. loc. E196811 Install in: Class I, Div. 2, Groups A, B, C, D T4 Intrinsically safe outputs for: Class I, Groups C, D; Class II, Groups E, F, G; Class III; [Ex ia] Haz loc Class I, Zone 2, AEx ec [ia IIB Ga] IIC T4 Gc [AEx ia Da] IIIC Ex ec [ia IIB Ga] IIC T4 Gc [Ex ia Da] IIIC
------------------	---

Mounting

Mounting type	DIN rail mounting
Mounting position	any (no temperature derating)

Ex data

Safety data

Max. output voltage U_o	24.8 V
Max. output current I_o	180 mA
Max. output power P_o	1116 mW

AXL F EX IS DO4 SD 21-60 XC 1F - Digital module



1086902

<https://www.phoenixcontact.com/us/products/1086902>

Safety-related maximum voltage U_m	250 V
C/IIB, IIIC: Max. external inductivity L_o / Max. external capacitance C_o	2.779 mH / 0.86 μ F
D/IIA, E, F, G, Class III: Max. external inductivity L_o / Max. external capacitance C_o	7.168 mH / 3.05 μ F

AXL F EX IS DO4 SD 21-60 XC 1F - Digital module

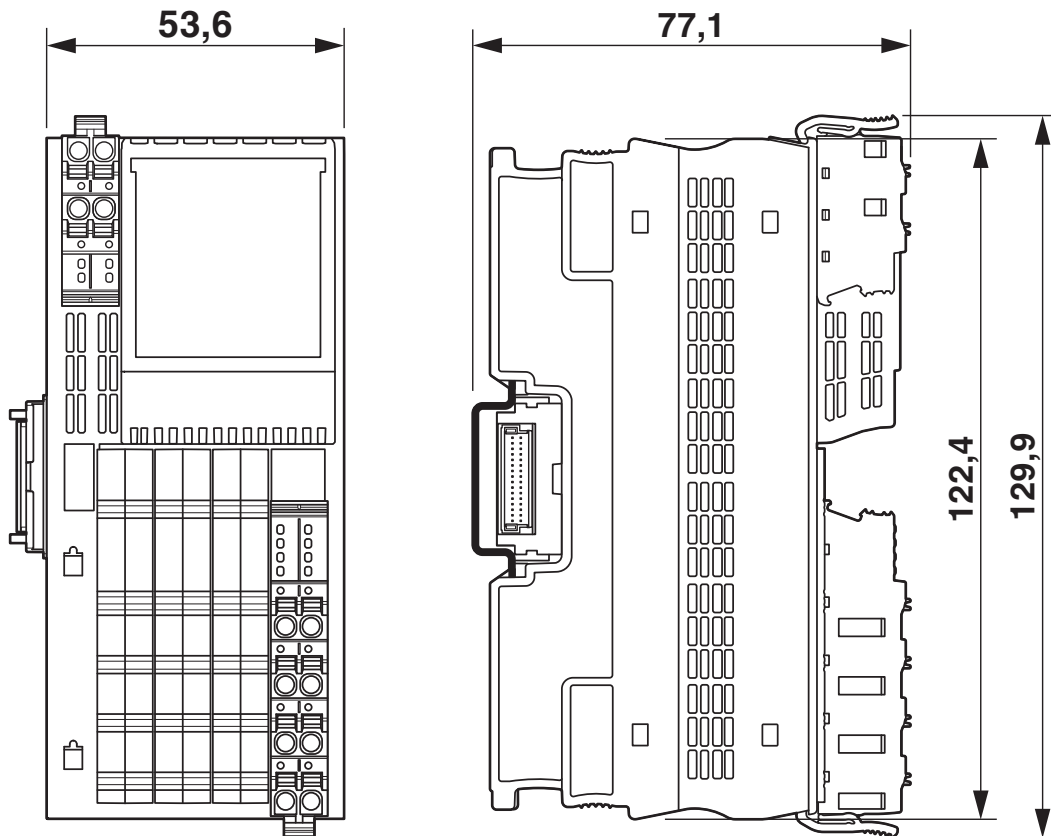


1086902

<https://www.phoenixcontact.com/us/products/1086902>

Drawings

Dimensional drawing



1086902

<https://www.phoenixcontact.com/us/products/1086902>

Approvals

To download certificates, visit the product detail page: <https://www.phoenixcontact.com/us/products/1086902>



cULus Listed

Approval ID: E238705



IECEX

Approval ID: IECEX UL 20.0044X



cUL Listed

Approval ID: FILE E196811



UL Listed

Approval ID: FILE E196811



ATEX

Approval ID: DEMKO 20 ATEX 2370X



CCC

Approval ID: 2025122316122298



UKCA-EX

Approval ID: UL22UKEX2508X

1086902

<https://www.phoenixcontact.com/us/products/1086902>

Classifications

ECLASS

ECLASS-13.0	27242604
ECLASS-15.0	27242604

ETIM

ETIM 10.0	EC001599
-----------	----------

UNSPSC

UNSPSC 21.0	32151600
-------------	----------

1086902

<https://www.phoenixcontact.com/us/products/1086902>

Environmental product compliance

EU RoHS

Fulfills EU RoHS substance requirements	Yes
Exemption	7(a), 7(c)-I

China RoHS

Environment friendly use period (EFUP)	EFUP-25
	An article-related China RoHS declaration table can be found in the download area for the respective article under "Manufacturer declaration". For all articles with EFUP-E, no China RoHS declaration table issued and required.

EU REACH SVHC

REACH candidate substance (CAS No.)	Lead(CAS: 7439-92-1)
SCIP	6ac8b0a5-86b7-41d6-808c-27f8f27fa071

Phoenix Contact 2026 © - all rights reserved

<https://www.phoenixcontact.com>

Phoenix Contact USA
 586 Fulling Mill Road
 Middletown, PA 17057, United States
 (+717) 944-1300
info@phoenixcon.com