

EV-T2CCS-MF-M4X10-BIT-CTS - Repair kit



1085799

<https://www.phoenixcontact.com/us/products/1085799>

Please be informed that the data shown in this PDF document is generated from our online catalog. Please find the complete data in the user documentation. Our general terms of use for downloads are valid.



CHARX connect, CCS type 2, Repair kit, Accessories, housing: black, with DC contact holder with integrated front part of the DC contacts, with replaceable mating face frame, with 5x M4X10 flat-head screws with Torx safety drive (IPR TORX PLUS®), with special bit (867/4 IPR TORX PLUS® bit, 20 IPR x 89 mm) for insulated screwdriver, for replacement of the mating face frame of vehicle charging connectors, IEC 62196-3-1, Replacement without draining the coolant

Product description

Repair kit with replaceable mating face frame for CCS type 2 HPC DC vehicle connector

Your advantages

- Complete product range
- Developed and produced in accordance with the IATF 16949 automotive standard and ISO 9001
- Maintenance-friendly replacement of the mating face frame without draining the coolant

Commercial data

| | |
|--------------------------------------|---------------|
| Item number | 1085799 |
| Packing unit | 1 pc |
| Minimum order quantity | 1 pc |
| Sales key | EM01 |
| Product key | XWBLNY |
| GTIN | 4055626875613 |
| Weight per piece (including packing) | 326.4 g |
| Weight per piece (excluding packing) | 276.35 g |
| Customs tariff number | 85389099 |
| Country of origin | PL |

EV-T2CCS-MF-M4X10-BIT-CTS - Repair kit



1085799

<https://www.phoenixcontact.com/us/products/1085799>

Technical data

Product properties

| | |
|-------------------|---|
| Product type | Repair kit |
| Product family | CHARX connect |
| Type | Accessories |
| Design | with DC contact holder with integrated front part of the DC contacts |
| | with replaceable mating face frame |
| | with 5x M4X10 flat-head screws with Torx safety drive (IPR TORX PLUS®) |
| | with special bit (867/4 IPR TORX PLUS® bit, 20 IPR x 89 mm) for insulated screwdriver |
| Charging standard | CCS type 2 |
| Charging mode | Mode 4 |

Material specifications

| | |
|-----------------|--------------|
| Color (Housing) | black (9005) |
|-----------------|--------------|

Environmental and real-life conditions

Ambient conditions

| | |
|---|------------------|
| Ambient temperature (operation) | -30 °C ... 50 °C |
| Ambient temperature (storage/transport) | -40 °C ... 80 °C |

Standards and regulations

Standards

| | |
|-----------------------|---------------|
| Standards/regulations | IEC 62196-3-1 |
|-----------------------|---------------|

EV-T2CCS-MF-M4X10-BIT-CTS - Repair kit

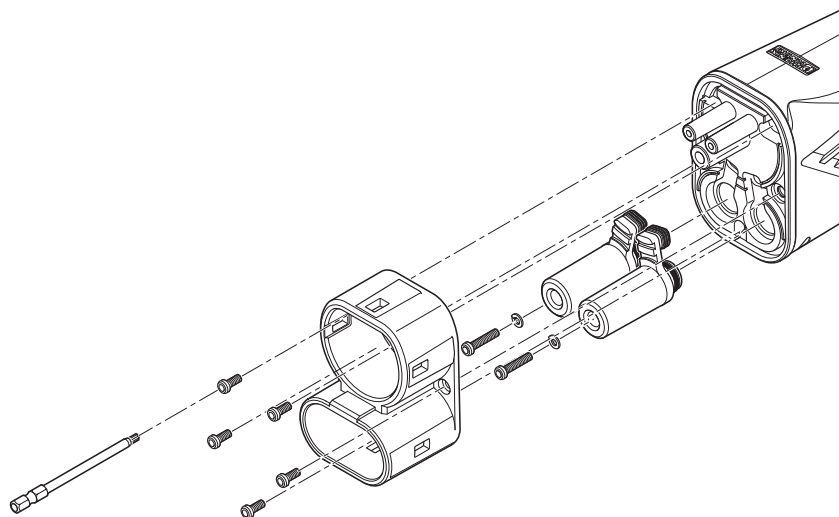


1085799

<https://www.phoenixcontact.com/us/products/1085799>

Drawings

Schematic diagram



Assembly drawing

EV-T2CCS-MF-M4X10-BIT-CTS - Repair kit



1085799

<https://www.phoenixcontact.com/us/products/1085799>

Classifications

ECLASS

| | |
|-------------|----------|
| ECLASS-13.0 | 27144792 |
| ECLASS-15.0 | 27144792 |

ETIM

| | |
|-----------|----------|
| ETIM 10.0 | EC002884 |
|-----------|----------|

UNSPSC

| | |
|-------------|----------|
| UNSPSC 21.0 | 39121500 |
|-------------|----------|

EV-T2CCS-MF-M4X10-BIT-CTS - Repair kit



1085799

<https://www.phoenixcontact.com/us/products/1085799>

Environmental product compliance

EU RoHS

| | |
|---|---|
| Fulfills EU RoHS substance requirements | Not applicable, No electrical and electronic equipment (EEE), cannot be used in EEE |
|---|---|

EU REACH SVHC

| | |
|-------------------------------------|----------------------------|
| REACH candidate substance (CAS No.) | No substance above 0.1 wt% |
|-------------------------------------|----------------------------|

Phoenix Contact 2026 © - all rights reserved

<https://www.phoenixcontact.com>

Phoenix Contact USA
586 Fulling Mill Road
Middletown, PA 17057, United States
(+717) 944-1300
info@phoenixcon.com