

# EC-PC 6/ 3-ST-BUS BK - Insulating part

1083247

<https://www.phoenixcontact.com/us/products/1083247>

Please be informed that the data shown in this PDF document is generated from our online catalog. Please find the complete data in the user documentation. Our general terms of use for downloads are valid.



Insulator cap, color: black, product range: EC-PC 6/...-ST-BUS, width: 36.4 mm



## Your advantages

- Tool-free assembly for simple touch protection
- Application-specific insulation thanks to individually removable insulating caps

## Commercial data

Item number	1083247
Packing unit	25 pc
Minimum order quantity	25 pc
Product key	AAHZBK
GTIN	4055626816760
Weight per piece (including packing)	2.949 g
Weight per piece (excluding packing)	2.22 g
Country of origin	DE

# EC-PC 6/ 3-ST-BUS BK - Insulating part

1083247

<https://www.phoenixcontact.com/us/products/1083247>

## Technical data

### Notes

Notes on operation	In accordance with IEC 61984, COMBICON connectors have no switching power (COC). During designated use, they must not be plugged in or disconnected when carrying voltage or under load.
--------------------	--

### Product properties

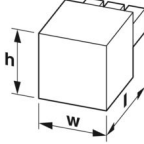
Product type	Insulator cap
Product family	EC-PC 6/...-ST-BUS
Product line	COMBICON Connectors L
Number of positions	3
Pitch	0 mm
Number of rows	1

### Electrical properties

#### Properties

Nominal current $I_N$	32 A
Nominal voltage $U_N$	1000 V
Contact resistance	0.7 mΩ
Rated voltage (III/3)	1000 V
Rated surge voltage (III/3)	8 kV
Rated voltage (III/2)	1000 V
Rated surge voltage (III/2)	8 kV
Rated voltage (II/2)	1000 V
Rated surge voltage (II/2)	6 kV

### Dimensions

Dimensional drawing	
Pitch	7.62 mm
Width [w]	36.4 mm
Height [h]	27.07 mm
Length [l]	13 mm
Installed height	27.07 mm

### Material specifications

#### Material data - contact

Note	WEEE/RoHS-compliant, free of whiskers according to IEC 60068-2-82/JEDEC JESD 201
------	--

# EC-PC 6/ 3-ST-BUS BK - Insulating part



1083247

<https://www.phoenixcontact.com/us/products/1083247>

Contact material	Cu alloy
Surface characteristics	hot-dip tin-plated
Metal surface terminal point (top layer)	Tin (4 µm - 8 µm Sn)
Metal surface contact area (top layer)	Tin (4 µm - 8 µm Sn)

## Material data - housing

Color (Housing)	black (9005)
Insulating material	PA
Insulating material group	I
CTI according to IEC 60112	600
Flammability rating according to UL 94	V0
Glow wire flammability index GWFI according to EN 60695-2-12	850
Glow wire ignition temperature GWIT according to EN 60695-2-13	775
Temperature for the ball pressure test according to EN 60695-10-2	125 °C

## Connector

### Connection 1

Insulating material	PA
CTI according to IEC 60112	600

## Electrical tests

### Thermal test | Test group C

Specification	IEC 60512-5-1:2002-02
Tested number of positions	3

### Short-time withstand current

Specification	IEC 60998-2-3:2002-12
---------------	-----------------------

### Insulation resistance

Specification	IEC 60512-3-1:2002-02
Insulation resistance, neighboring positions	> 5 MΩ

### Temperature cycles

Specification	IEC 60998-2-3:2002-12
Result	Test passed

### Air clearances and creepage distances |

Specification	IEC 60664-1:2007-04
Insulating material group	I
Comparative tracking index (IEC 60112)	CTI 600
Rated insulation voltage (III/3)	1000 V
Rated surge voltage (III/3)	8 kV
minimum clearance value - non-homogenous field (III/3)	8 mm
minimum creepage distance (III/3)	12.5 mm

# EC-PC 6/ 3-ST-BUS BK - Insulating part



1083247

<https://www.phoenixcontact.com/us/products/1083247>

Rated insulation voltage (III/2)	1000 V
Rated surge voltage (III/2)	8 kV
minimum clearance value - non-homogenous field (III/2)	8 mm
minimum creepage distance (III/2)	8 mm
Rated insulation voltage (II/2)	1000 V
Rated surge voltage (II/2)	6 kV
minimum clearance value - non-homogenous field (II/2)	5.5 mm
minimum creepage distance (II/2)	5.5 mm

## Mechanical tests

### Conductor connection

Specification	IEC 60998-2-3:2002-12
Result	Test passed

### Test for conductor damage and slackening

Specification	IEC 60998-2-3:2002-12
Result	Test passed

### Repeated connection and disconnection

Specification	IEC 60998-2-3:2002-12
Result	Test passed

### Pull-out test

Specification	IEC 60998-2-3:2002-12
Conductor cross-section/conductor type/tractive force setpoint/actual value	16 mm <sup>2</sup> / flexible / > 100 N

### Insertion and withdrawal forces

Result	Test passed
No. of cycles	25
Insertion strength per pos. approx.	13 N
Withdraw strength per pos. approx.	16 N

### Torque test

Specification	IEC 60998-2-3:2002-12
---------------	-----------------------

### Contact holder in insert

Specification	IEC 60512-15-1:2008-05
Contact holder in insert Requirements >20 N	Test passed

### Resistance of inscriptions

Specification	IEC 60068-2-70:1995-12
Result	Test passed

### Polarization and coding

Specification	IEC 60512-13-5:2006-02
Result	Test passed

# EC-PC 6/ 3-ST-BUS BK - Insulating part



1083247

<https://www.phoenixcontact.com/us/products/1083247>

## Visual inspection

Specification	IEC 60512-1-1:2002-02
Result	Test passed

## Dimension check

Specification	IEC 60512-1-2:2002-02
Result	Test passed

## Environmental and real-life conditions

### Durability test

Specification	IEC 60512-9-1:2010-03
Impulse withstand voltage at sea level	9.8 kV
Contact resistance $R_1$	0.7 m $\Omega$
Contact resistance $R_2$	0.7 m $\Omega$
Insertion/withdrawal cycles	25
Insulation resistance, neighboring positions	> 5 M $\Omega$

### Climatic test

Specification	ISO 6988:1985-02
Corrosive stress	0.2 dm <sup>3</sup> SO <sub>2</sub> on 300 dm <sup>3</sup> /40 °C/1 cycle
Thermal stress	100 °C/168 h
Power-frequency withstand voltage	4.26 kV

### Vibration test

Specification	IEC 60068-2-6:2007-12
Frequency	10 - 150 - 10 Hz
Sweep speed	1 octave/min
Amplitude	0.35 mm (10 Hz ... 60.1 Hz)
Acceleration	50 m/s <sup>2</sup> (60.1 Hz ... 150 Hz)
Test duration per axis	2.5 h
Test directions	X-, Y- and Z-axis

### Glow-wire test

Specification	IEC 60998-1:2002-12
Temperature	850 °C
Time of exposure	5 s

### Glow-wire test

Specification	IEC 60998-1:2002-12
Temperature	650 °C
Time of exposure	5 s

### Ambient conditions

Ambient temperature (storage/transport)	-40 °C ... 70 °C
Relative humidity (storage/transport)	30 % ... 70 %
Ambient temperature (assembly)	-5 °C ... 40 °C (Depending on the conductor insulation)

# EC-PC 6/ 3-ST-BUS BK - Insulating part



1083247

<https://www.phoenixcontact.com/us/products/1083247>

Ambient temperature (operation)	-40 °C ... 100 °C (dependent on the derating curve)
---------------------------------	---

## Ambient conditions

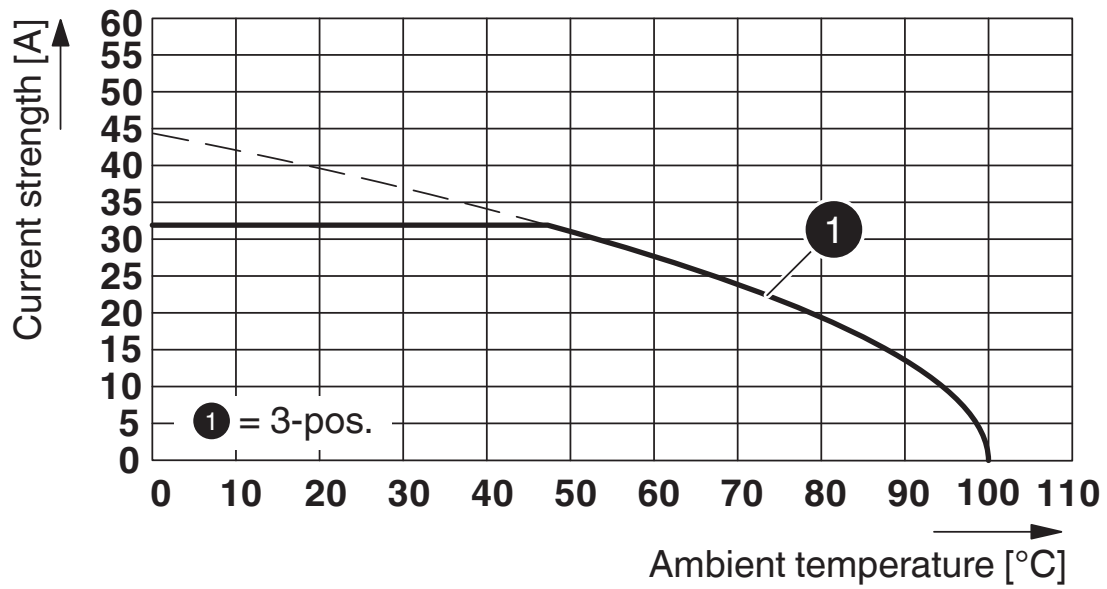
Ambient temperature (operation)	-40 °C ... 100 °C (dependent on the derating curve)
Ambient temperature (storage/transport)	-40 °C ... 70 °C
Relative humidity (storage/transport)	30 % ... 70 %
Ambient temperature (assembly)	-5 °C ... 40 °C (Depending on the conductor insulation)

1083247

<https://www.phoenixcontact.com/us/products/1083247>

## Drawings

Diagram



Type: PC 6/...-ST-BUS-7,62 with PC 6/...-G1-7,62 BK

# EC-PC 6/ 3-ST-BUS BK - Insulating part



1083247

<https://www.phoenixcontact.com/us/products/1083247>

## Classifications

### ECLASS

ECLASS-13.0	27460405
ECLASS-15.0	27460405

### ETIM

ETIM 10.0	EC002943
-----------	----------

### UNSPSC

UNSPSC 21.0	39121400
-------------	----------

# EC-PC 6/ 3-ST-BUS BK - Insulating part



1083247

<https://www.phoenixcontact.com/us/products/1083247>

## Environmental product compliance

### EU RoHS

Fulfills EU RoHS substance requirements	Yes, No exemptions
---	--------------------

### China RoHS

Environment friendly use period (EFUP)	EFUP-E
	No hazardous substances above the limits

### EU REACH SVHC

REACH candidate substance (CAS No.)	No substance above 0.1 wt%
-------------------------------------	----------------------------

### EF3.1 Climate Change

CO2e kg	0.05 kg CO2e
---------	--------------

Phoenix Contact 2026 © - all rights reserved  
<https://www.phoenixcontact.com>

Phoenix Contact USA  
586 Fulling Mill Road  
Middletown, PA 17057, United States  
(+717) 944-1300  
[info@phoenixcon.com](mailto:info@phoenixcon.com)