

REDUC-K-KV-M20/M16 BK - Reducing adapter



1082732

<https://www.phoenixcontact.com/us/products/1082732>

Please be informed that the data shown in this PDF document is generated from our online catalog. Please find the complete data in the user documentation. Our general terms of use for downloads are valid.

Reducing adapter, connecting thread: M20 x 1.5, color: jet black, with flat gasket



Product description

Reduced M20 to M16

Commercial data

Item number	1082732
Packing unit	10 pc
Minimum order quantity	10 pc
Sales key	BF68
Product key	AF7DZX
GTIN	4055626815763
Weight per piece (including packing)	3.28 g
Weight per piece (excluding packing)	3.28 g
Customs tariff number	39269097
Country of origin	DE

REDUC-K-KV-M20/M16 BK - Reducing adapter



1082732

<https://www.phoenixcontact.com/us/products/1082732>

Technical data

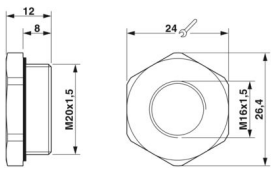
Product properties

Product type	Reducing adapter
Seal present	yes

Connection data

Tightening torque	2.5 ... 3 Nm
-------------------	--------------

Dimensions

Dimensional drawing	
Width	26.50 mm
Length	12 mm
Length of the connecting thread	6.5 mm
Hexagon angular dimension	26.5 mm
Thread type connection side	M20 x 1.5
Thread pitch	1.5 mm

Material specifications

Color	black (RAL 9005)
Material	Polyamide fiberglass reinforced
Flammability rating according to UL 94	HB
Seal material	NBR

Cable/line

Halogen-free	no
--------------	----

Environmental and real-life conditions

Ambient conditions

Degree of protection	IP65 (Depends on the screw connection used)
Ambient temperature (operation)	-30 °C ... 100 °C

Mounting

Assembly note	With corresponding screw connection: IP65
---------------	---

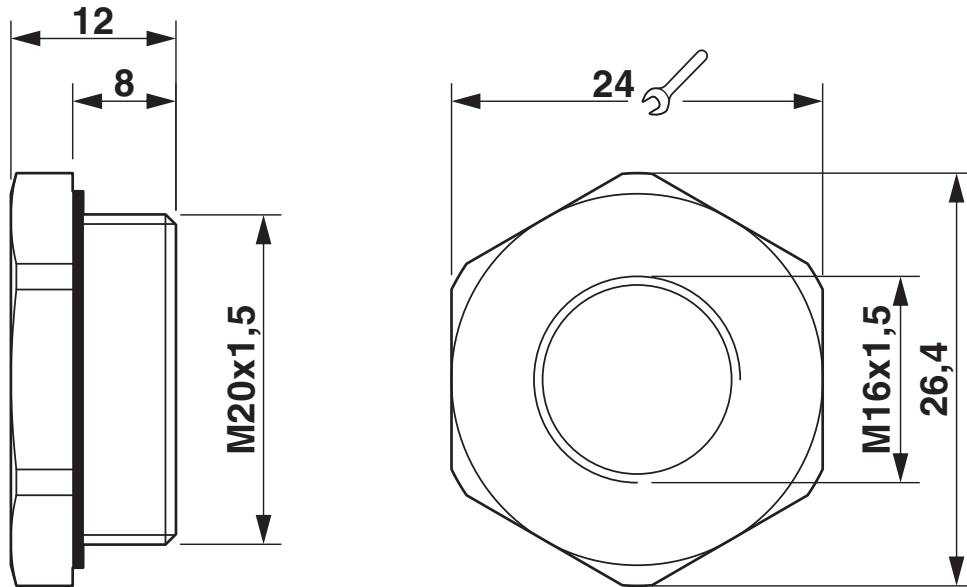
REDUC-K-KV-M20/M16 BK - Reducing adapter

1082732

<https://www.phoenixcontact.com/us/products/1082732>

Drawings

Dimensional drawing



Dimensional drawing

REDUC-K-KV-M20/M16 BK - Reducing adapter



1082732

<https://www.phoenixcontact.com/us/products/1082732>

Classifications

ECLASS

ECLASS-15.0	27140806
ECLASS-13.0	27140806

ETIM

ETIM 10.0	EC000938
-----------	----------

UNSPSC

UNSPSC 21.0	31261500
-------------	----------

REDUC-K-KV-M20/M16 BK - Reducing adapter



1082732

<https://www.phoenixcontact.com/us/products/1082732>

Environmental product compliance

EU RoHS

Fulfills EU RoHS substance requirements	Yes, No exemptions
---	--------------------

China RoHS

Environment friendly use period (EFUP)	EFUP-E
	No hazardous substances above the limits

EU REACH SVHC

REACH candidate substance (CAS No.)	No substance above 0.1 wt%
-------------------------------------	----------------------------

Phoenix Contact 2026 © - all rights reserved
<https://www.phoenixcontact.com>

Phoenix Contact USA
586 Fulling Mill Road
Middletown, PA 17057, United States
(+717) 944-1300
info@phoenixcon.com