

FLKM-PA-D37/HW/AN/C300/TAIX/P - Front adapter



1081062

<https://www.phoenixcontact.com/us/products/1081062>

Please be informed that the data shown in this PDF document is generated from our online catalog. Please find the complete data in the user documentation. Our general terms of use for downloads are valid.



VARIOFACE front adapter, for Honeywell C300, Series C I/O, maximum of 1 x 16 channels can be connected (37-position D-SUB connector). Specially designed to connect analog I/O cards and transition them to passive operating mode.

Commercial data

Item number	1081062
Packing unit	1 pc
Minimum order quantity	1 pc
Product key	DK231H
GTIN	4055626807829
Weight per piece (including packing)	22.22 g
Weight per piece (excluding packing)	22.22 g
Country of origin	DE

1081062

<https://www.phoenixcontact.com/us/products/1081062>

Technical data

Product properties

Product type	Front adapter
Product family	VARIOFACE

Insulation characteristics: Air clearances and creepage distances

Insulation	Functional insulation
Overvoltage category	II
Pollution degree	2

Electrical properties

Operating voltage (AC)	≤ 30 V AC
Operating voltage (DC)	≤ 60 V DC
Nominal operating mode	100% operating factor
Current (per branch)	≤ 1 A
Current (Per connection, separate power supply)	≤ 4 A

Air clearances and creepage distances

Rated insulation voltage	63 V
Rated surge voltage	0.6 kV (1.2/50 μs)

Supported controller: HONEYWELL Experion PKS C300/C-Series

Suitable I/O card	TAIX01 (non-redundant)
	TAIX11 (redundant)

Connection data

Connection 1 (control level)

Connection method	Plug-in connection
Number of connections	2
Number of positions	16
Pitch	5.08 mm

Connection 2 (field level)

Connection in acc. with standard	IEC 60807-2
Connection method	D-SUB pin strip
Screw thread	UNC 4-40
Number of connections	1
Number of positions	37
Insertion/withdrawal cycles	> 500
Pitch	2.77 mm

Connection 3 (supply)

Connection method	Push-in spring connection
Stripping length	10 mm

1081062

<https://www.phoenixcontact.com/us/products/1081062>

Number of positions	4
Conductor cross-section rigid	0.2 mm ² ... 4 mm ²
Conductor cross-section flexible	0.2 mm ² ... 2.5 mm ²
Conductor cross-section AWG	24 ... 12
Pitch	5.08 mm

Dimensions

Item dimensions

Width	104.1 mm
Height	49.9 mm
Depth	48.95 mm

Environmental and real-life conditions

Ambient conditions

Degree of protection (Module)	IP00
Degree of protection (Installation location)	≥ IP54
Ambient temperature (operation)	-20 °C ... 70 °C
Ambient temperature (storage/transport)	-20 °C ... 70 °C
Altitude	≤ 2000 m

Standards and regulations

Air clearances and creepage distances

Standards/regulations	EN IEC 60664-1
-----------------------	----------------

Mounting

Mounting type	Plug-in mounting
Mounting position	any

Notes

Notes on operation	For proper use, the specifications of the installation directive (see Downloads) must be observed. For applications or use with third-party products, the specifications, and the safety and warning instructions of the respective third-party manufacturer must also be met.
--------------------	--

FLKM-PA-D37/HW/AN/C300/TAIX/P - Front adapter

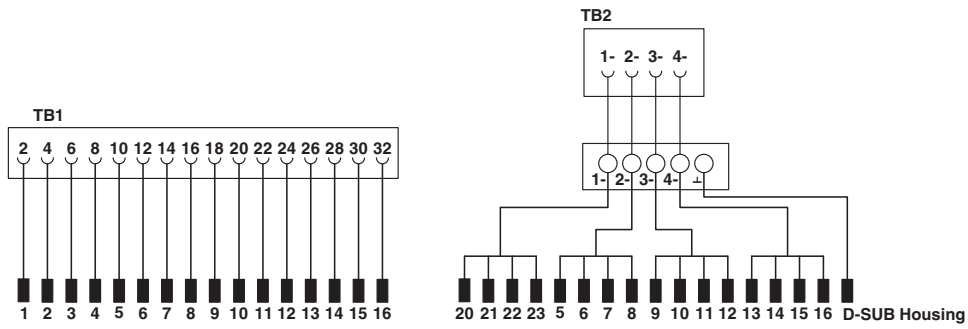


1081062

<https://www.phoenixcontact.com/us/products/1081062>

Drawings

Circuit diagram



1081062

<https://www.phoenixcontact.com/us/products/1081062>

Classifications

ECLASS

ECLASS-13.0	27242292
ECLASS-15.0	27242292

ETIM

ETIM 10.0	EC002584
-----------	----------

UNSPSC

UNSPSC 21.0	32151600
-------------	----------

1081062

<https://www.phoenixcontact.com/us/products/1081062>

Environmental product compliance

EU RoHS

Fulfills EU RoHS substance requirements	Yes, No exemptions
---	--------------------

China RoHS

Environment friendly use period (EFUP)	EFUP-E
	No hazardous substances above the limits

EU REACH SVHC

REACH candidate substance (CAS No.)	No substance above 0.1 wt%
-------------------------------------	----------------------------

Phoenix Contact 2026 © - all rights reserved
<https://www.phoenixcontact.com>

Phoenix Contact USA
586 Fulling Mill Road
Middletown, PA 17057, United States
(+717) 944-1300
info@phoenixcon.com