

NBC-M8MSD/2,0-93C/M8MRD - Network cable



1080539

<https://www.phoenixcontact.com/us/products/1080539>

Please be informed that the data shown in this PDF document is generated from our online catalog. Please find the complete data in the user documentation. Our general terms of use for downloads are valid.



Network cable, PROFINET CAT5 (100 Mbps), EtherCAT® CAT5 (100 Mbps), 4-position, PUR halogen-free, green RAL 6018, shielded (Advanced Shielding Technology), Plug straight M8, coding: D / IP67, on Plug angled M8, coding: D / IP67, cable length: 2 m

Commercial data

| | |
|--------------------------------------|---------------|
| Item number | 1080539 |
| Packing unit | 1 pc |
| Minimum order quantity | 1 pc |
| Sales key | BF02 |
| Product key | AF1BJI |
| GTIN | 4055626804835 |
| Weight per piece (including packing) | 151.8 g |
| Weight per piece (excluding packing) | 126.26 g |
| Customs tariff number | 85444290 |
| Country of origin | PL |

1080539

<https://www.phoenixcontact.com/us/products/1080539>

Technical data

Product properties

| | |
|----------------------|-------------------------|
| Product type | Data cable preassembled |
| Application | Standard |
| Number of positions | 4 |
| No. of cable outlets | 1 |
| Shielded | yes |
| Coding | D |

Interfaces

| | |
|----------------------|--------------------------------------|
| Signal type/category | PROFINET CAT5 (IEC 11801), 100 Mbps |
| | EtherCAT® CAT5 (IEC 11801), 100 Mbps |

Signaling

| | |
|------------------------|----|
| Status display | no |
| Status display present | no |

Electrical properties

| | |
|-----------------------|----------|
| Nominal voltage U_N | 48 V AC |
| | 60 V DC |
| Nominal current I_N | 4 A |
| Transmission medium | Copper |
| Transmission speed | 100 Mbps |

Connector

Connection 1

| | |
|---------------------------------|---------------------------------------------------------|
| Type | Plug straight M8 / IP67 |
| Number of positions | 4 |
| Coding type | D (Data) |
| Shielded | yes |
| Handle color | black |
| Material | CuSn (Contact) |
| | Ni/Au (Contact surface) |
| | PA 6.6 (Contact carrier) |
| | TPU, hardly inflammable, self-extinguishing (Grip body) |
| | Brass, nickel-plated (Screw connection) |
| Insertion/withdrawal cycles | ≥ 100 |
| Insulation resistance | ≥ 100 MΩ |
| Tightening torque | 0.2 Nm |
| Degree of protection | IP67 |
| Ambient temperature (operation) | -25 °C ... 90 °C |

Connection 2

NBC-M8MSD/2,0-93C/M8MRD - Network cable



1080539


<https://www.phoenixcontact.com/us/products/1080539>

| | |
|---------------------------------|-----------------------------------------------------------------------------------------------------------------------------------------------------------------------------|
| Type | Plug angled M8 / IP67 |
| Number of positions | 4 |
| Coding type | D (Data) |
| Shielded | yes |
| Handle color | black |
| Material | CuSn (Contact) Ni/Au (Contact surface) PA 6.6 (Contact carrier) TPU, hardly inflammable, self-extinguishing (Grip body) Brass, nickel-plated (Screw connection) |
| Insertion/withdrawal cycles | ≥ 100 |
| Insulation resistance | ≥ 100 MΩ |
| Tightening torque | 0.2 Nm |
| Degree of protection | IP67 |
| Ambient temperature (operation) | -25 °C ... 90 °C |

Cable/line

| | |
|--------------|-----|
| Cable length | 2 m |
|--------------|-----|

PROFINET drag chain CAT5 [93C]

| | |
|--------------------------------|--------------------------------------------------------------------------------------|
| Dimensional drawing |  |
| UL AWM Style | 20233 (80°C/300 V) |
| Number of positions | 4 |
| Shielded | yes |
| Cable type | PROFINET drag chain CAT5 [93C] |
| Conductor structure | 1x4xAWG22/7, SF/TQ |
| AWG signal line | 22 |
| Conductor cross-section | 4x 0.34 mm ² |
| Wire diameter incl. insulation | 1.5 mm ±0.05 mm |
| External cable diameter | 6.50 mm ±0.2 mm |
| Outer sheath, material | PUR |
| External sheath, color | green RAL 6018 |
| Conductor material | Tin-plated Cu litz wires |
| Material wire insulation | PE |
| Single wire, color | white, yellow, blue, orange |
| Overall twist | Star quad |
| Optical shield covering | 85 % |

NBC-M8MSD/2,0-93C/M8MRD - Network cable



1080539

<https://www.phoenixcontact.com/us/products/1080539>

| | |
|-----------------------------------------------|---------------------------------------------------------------------------------------------------------------------------------------|
| Insulation resistance | ≥ 500 MΩ*km |
| Loop resistance | ≤ 120.00 Ω/km |
| Wave impedance | 100 Ω ±15 Ω (at 1 ... 100 MHz) |
| Nominal voltage, cable | ≤ 300 V |
| Test voltage Core/Core | 2000 V (50 Hz, 1 min.) |
| Test voltage Core/Shield | 2000.00 V (50 Hz, 1 min.) |
| Minimum bending radius, fixed installation | 5 x D |
| Minimum bending radius, flexible installation | 7.5 x D |
| Dynamic load capacity (bending) | Max. bending cycles: 3000000, Bending radius: 200 mm, Traversing path: 10 m, Traversing rate: 4 m/s, Acceleration: 4 m/s ² |
| Dynamic load capacity (torsion) | Torsion: ±30 °/m |
| Halogen-free | according to IEC 60754-1 |
| Flame resistance | according to IEC 60332-1-2 |
| | in accordance with UN ECE-R 118.03 |
| | according to CSA C 22.2 No. 210-FT1 |
| Resistance to oil | in accordance with DIN EN 60811-404 |
| Other resistance | UV resistant |
| Special properties | Flexible cable conduit capable |
| Ambient temperature (operation) | -40 °C ... 70 °C (cable, fixed installation) |
| | -40 °C ... 70 °C (Cable, flexible installation) |

Environmental and real-life conditions

Ambient conditions

| | |
|-------------------------------------------------------------------|----------------------------------|
| Degree of protection | IP65 |
| | IP67 |
| Ambient temperature (operation) (male connector/female connector) | -25 °C ... 90 °C (M12 connector) |

Standards and regulations

M8

| | |
|--------------------------|-----------------|
| Standard designation | M8 connector |
| Standards/specifications | IEC 61076-2-114 |

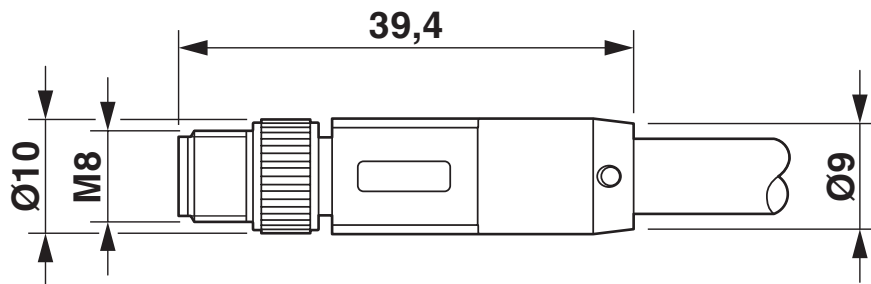
NBC-M8MSD/2,0-93C/M8MRD - Network cable

1080539

<https://www.phoenixcontact.com/us/products/1080539>

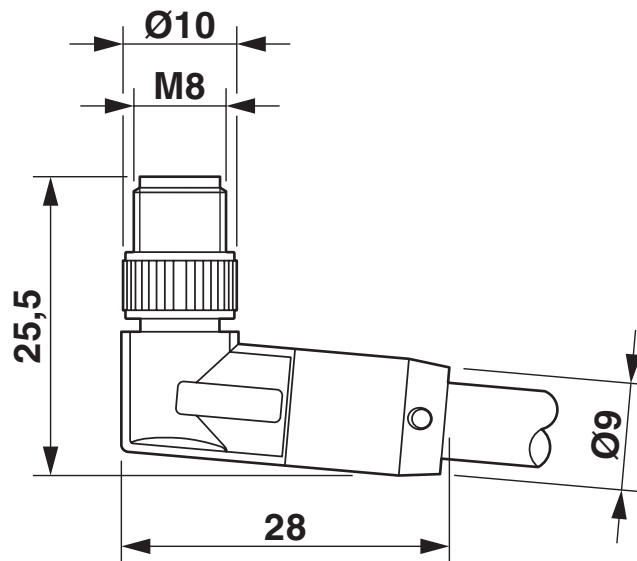
Drawings

Dimensional drawing



Plug M8 x 1, straight, shielded

Dimensional drawing



Plug M8 x 1, angled, shielded

1080539

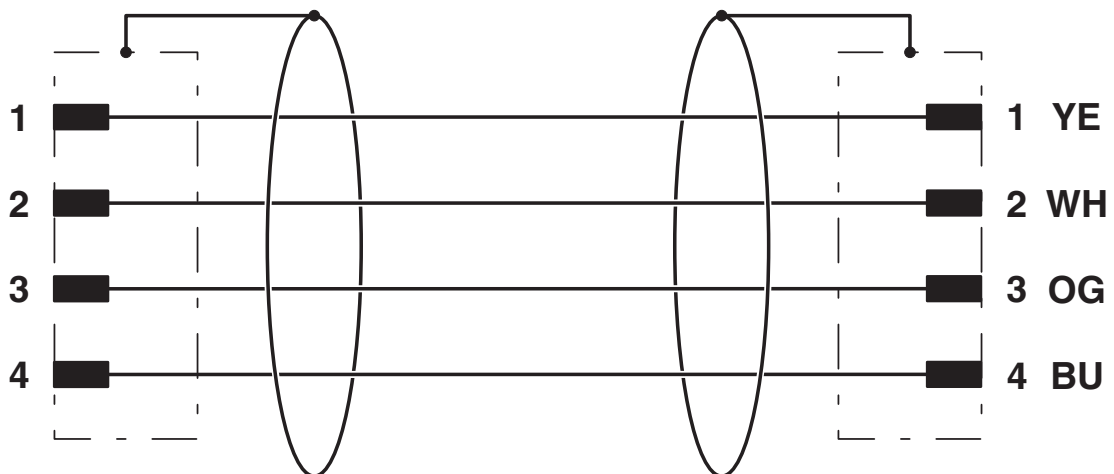
<https://www.phoenixcontact.com/us/products/1080539>

Schematic diagram



Pin assignment M8 male connector, 4-pos., D-coded, view of pin side

Circuit diagram



Contact assignment of M8 plugs

NBC-M8MSD/2,0-93C/M8MRD - Network cable




1080539

<https://www.phoenixcontact.com/us/products/1080539>

Approvals

To download certificates, visit the product detail page: <https://www.phoenixcontact.com/us/products/1080539>

|  UL Listed Approval ID: E335024 | | | | |
|----------------------------------------------------------------------------------------------------------------------------|-----------------------|-----------------------|-------------------|-----------------------------|
| | Nominal voltage U_N | Nominal current I_N | Cross section AWG | Cross section mm^2 |
| keine | | | | |
| | 30 V | 0.5 A | - | - |

|  cUL Listed Approval ID: E335024 | | | | |
|-----------------------------------------------------------------------------------------------------------------------------|-----------------------|-----------------------|-------------------|-----------------------------|
| | Nominal voltage U_N | Nominal current I_N | Cross section AWG | Cross section mm^2 |
| keine | | | | |
| | 30 V | 0.5 A | - | - |

NBC-M8MSD/2,0-93C/M8MRD - Network cable



1080539

<https://www.phoenixcontact.com/us/products/1080539>

Classifications

ECLASS

| | |
|-------------|----------|
| ECLASS-13.0 | 27060307 |
| ECLASS-15.0 | 27060307 |

UNSPSC

| | |
|-------------|----------|
| UNSPSC 21.0 | 26121600 |
|-------------|----------|

NBC-M8MSD/2,0-93C/M8MRD - Network cable



1080539

<https://www.phoenixcontact.com/us/products/1080539>

Environmental product compliance

EU RoHS

| | |
|-----------------------------------------|--------------------|
| Fulfills EU RoHS substance requirements | Yes, No exemptions |
|-----------------------------------------|--------------------|

China RoHS

| | |
|----------------------------------------|------------------------------------------|
| Environment friendly use period (EFUP) | EFUP-E |
| | No hazardous substances above the limits |

EU REACH SVHC

| | |
|-------------------------------------|----------------------------|
| REACH candidate substance (CAS No.) | No substance above 0.1 wt% |
|-------------------------------------|----------------------------|

Phoenix Contact 2026 © - all rights reserved
<https://www.phoenixcontact.com>

Phoenix Contact USA
586 Fulling Mill Road
Middletown, PA 17057, United States
(+717) 944-1300
info@phoenixcon.com