

SAC-5PY-FL/ML-FL F VP SH - Y distributor



1080249

<https://www.phoenixcontact.com/us/products/1080249>

Please be informed that the data shown in this PDF document is generated from our online catalog. Please find the complete data in the user documentation. Our general terms of use for downloads are valid.

Y distributor, 5-position, shielded, Plug straight M12, coding: L, on Socket straight M12, coding: L and Socket straight M12, coding: L, for direct current up to 16 A/63 V, Parallel distributor



Your advantages

- High-performance: DC connectors for up to 16 A and 63 V DC

Commercial data

Item number	1080249
Packing unit	1 pc
Minimum order quantity	1 pc
Sales key	BF10
Product key	AF1GAP
GTIN	4055626802824
Weight per piece (including packing)	100 g
Weight per piece (excluding packing)	100 g
Customs tariff number	85366990
Country of origin	DE

Technical data

Notes

Assembly note	NOTE: Observe the permissible bending radii when routing cables, since the degree of protection may be at risk if the bending forces are too high. Reduce mechanical loads upstream of the connector, e.g., by using cable ties.
---------------	---

Product properties

Product type	Y-distributor
Application	Energy supply
Number of positions	5
No. of cable outlets	2
Shielded	yes
Coding	L
Thread type	M12

Insulation characteristics

Overvoltage category	III
Degree of pollution	3

Electrical properties

Nominal voltage U_N	63 V DC
Nominal current I_N	16 A (at 40 °C)

Signaling

Status display	no
Status display present	no

Dimensions

Dimensional drawing	
Width	28 mm
Height	47 mm
Length	62.5 mm
Center distance	35 mm

Material specifications

Material	CuZn (Pin contact) (Female contact)
Flammability rating according to UL 94	V0

SAC-5PY-FL/ML-FL F VP SH - Y distributor



1080249

<https://www.phoenixcontact.com/us/products/1080249>

Seal material	HNBR
Material of grip body	PBT
Contact surface material	Au
Contact carrier material	PBT
Material for screw connection	Brass, nickel-plated

Connector

Connection 1

Type	Plug straight M12
Coding type	L

Connection 2

Type	Socket straight M12
Coding type	L

Connection 3

Type	Socket straight M12
Coding type	L

Mechanical properties

Mechanical data

Insertion/withdrawal cycles	> 100
-----------------------------	-------

Environmental and real-life conditions

Ambient conditions

Degree of protection	IP65
Ambient temperature (operation)	-40 °C ... 85 °C (Plug / socket)

Standards and regulations

Standard designation	M12 connector
Standards/specifications	IEC 61076-2-111

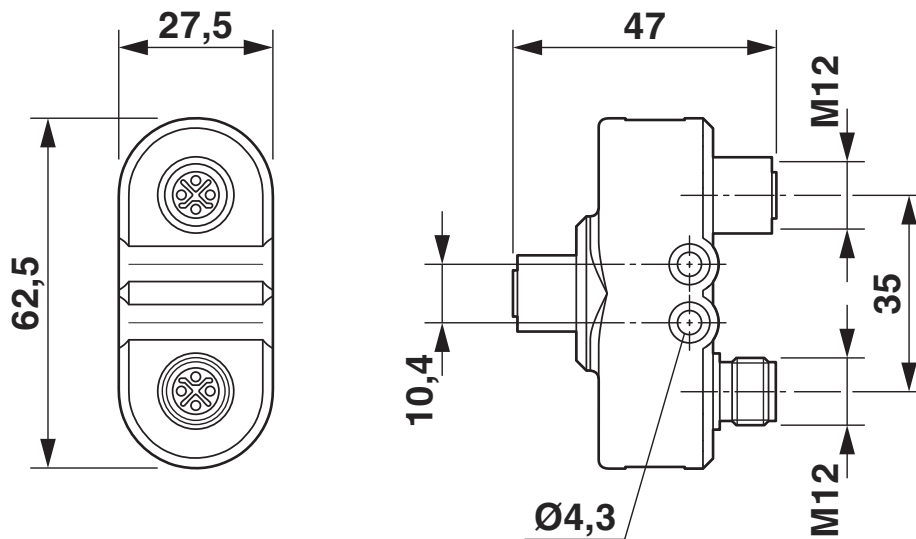
SAC-5PY-FL/ML-FL F VP SH - Y distributor

1080249

<https://www.phoenixcontact.com/us/products/1080249>

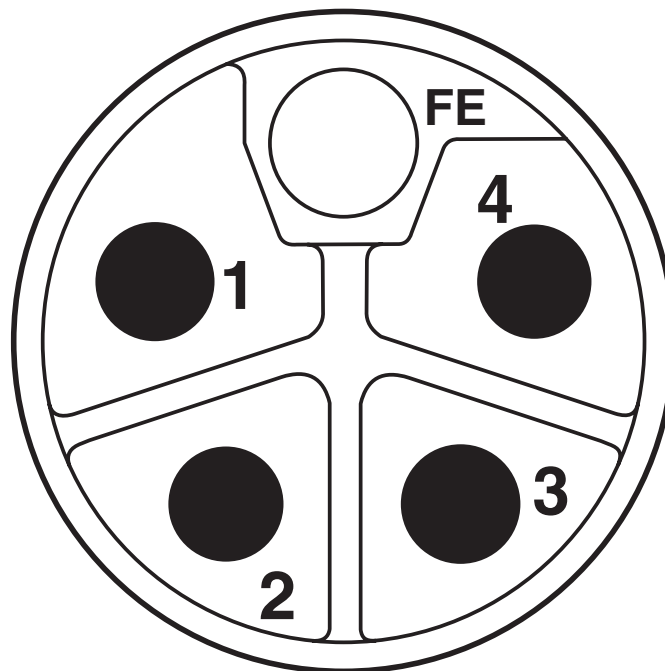
Drawings

Dimensional drawing



M12 Y distributor

Schematic diagram



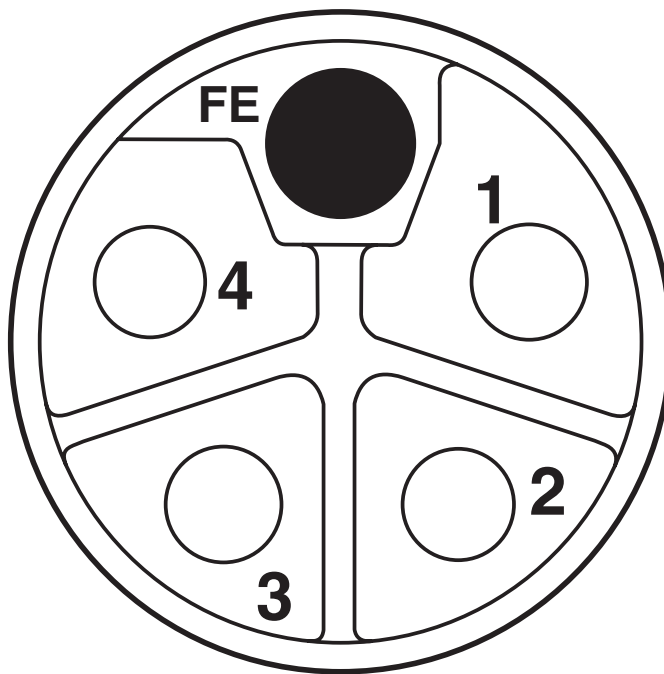
Pin assignment of M12 connector, 5-pos., L-coded, pin side view

SAC-5PY-FL/ML-FL F VP SH - Y distributor

1080249

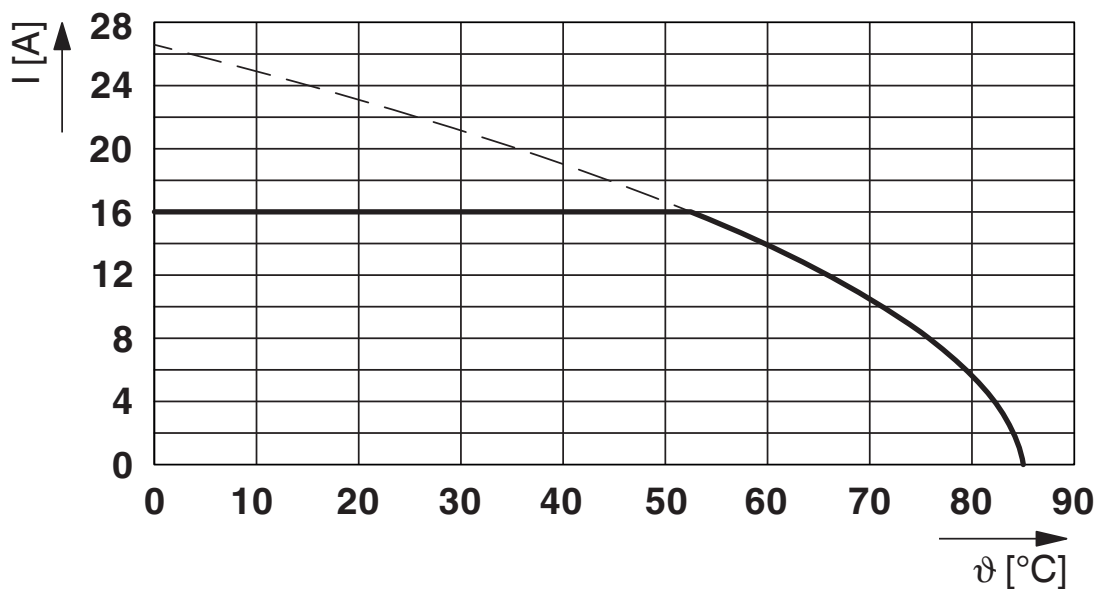
<https://www.phoenixcontact.com/us/products/1080249>

Schematic diagram



Pin assignment of M12 socket, 5-pos., L-coded, socket side view

Diagram



Current carrying capacity

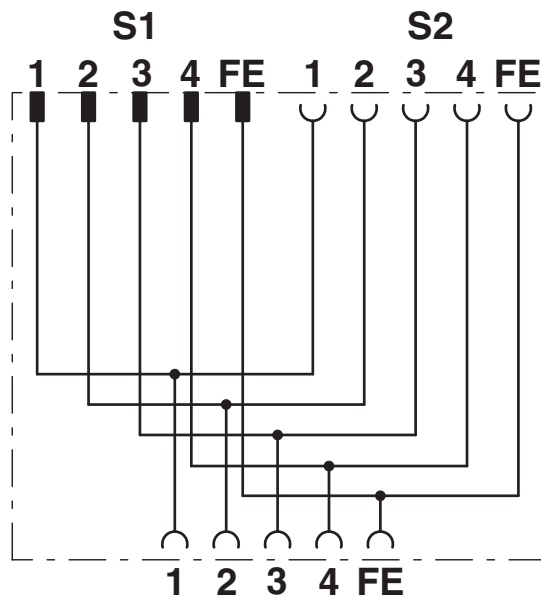
SAC-5PY-FL/ML-FL F VP SH - Y distributor



1080249

<https://www.phoenixcontact.com/us/products/1080249>

Circuit diagram



Contact assignment of the M12 Y distributor

SAC-5PY-FL/ML-FL F VP SH - Y distributor





1080249

<https://www.phoenixcontact.com/us/products/1080249>

Approvals

To download certificates, visit the product detail page: <https://www.phoenixcontact.com/us/products/1080249>

 UL Listed Approval ID: E468743				
	Nominal voltage U_N	Nominal current I_N	Cross section AWG	Cross section mm^2
keine				
	63 V	16 A	-	-

 cUL Listed Approval ID: E468743				
	Nominal voltage U_N	Nominal current I_N	Cross section AWG	Cross section mm^2
keine				
	63 V	15 A	-	-

SAC-5PY-FL/ML-FL F VP SH - Y distributor



1080249

<https://www.phoenixcontact.com/us/products/1080249>

Classifications

ECLASS

ECLASS-13.0	27440106
ECLASS-15.0	27440106

ETIM

ETIM 10.0	EC002925
-----------	----------

UNSPSC

UNSPSC 21.0	31251500
-------------	----------

SAC-5PY-FL/ML-FL F VP SH - Y distributor



1080249

<https://www.phoenixcontact.com/us/products/1080249>

Environmental product compliance

EU RoHS

Fulfills EU RoHS substance requirements	Yes, No exemptions
---	--------------------

China RoHS

Environment friendly use period (EFUP)	EFUP-E
	No hazardous substances above the limits

EU REACH SVHC

REACH candidate substance (CAS No.)	No substance above 0.1 wt%
-------------------------------------	----------------------------

Phoenix Contact 2026 © - all rights reserved
<https://www.phoenixcontact.com>

Phoenix Contact USA
586 Fulling Mill Road
Middletown, PA 17057, United States
(+717) 944-1300
info@phoenixcon.com