

SACC-M12FSL-4PL-CM SH - Power connector



1080237

<https://www.phoenixcontact.com/us/products/1080237>

Please be informed that the data shown in this PDF document is generated from our online catalog. Please find the complete data in the user documentation. Our general terms of use for downloads are valid.



Power connector, Power, 4-position, shielded, Socket straight M12, coding: L, Push-lock spring connection, knurl material: Brass, nickel-plated, external cable diameter 6 mm ... 11 mm

Your advantages

- Time-saving Push-Lock connection: Tool-free connection and disconnection of conductors by opening the contact levers
- Intuitive connection: Easy assignment of individual litz wires with color-coded and numerical identification of the contact levers
- Integrated Push-in Technology: Wire rigid and pretreated conductors easily by means of simple, direct insertion
- Shock- and vibration-resistant connection: Proven spring-cage technology guarantees secure and reliable contacting
- Safely shielded: Reliable 360° shield connection even under extreme mechanical strain
- Protected seal in the M12 socket

Commercial data

| | |
|--------------------------------------|---------------|
| Item number | 1080237 |
| Packing unit | 1 pc |
| Minimum order quantity | 1 pc |
| Sales key | BF33 |
| Product key | AF2CFP |
| GTIN | 4055626803036 |
| Weight per piece (including packing) | 91.1 g |
| Weight per piece (excluding packing) | 91 g |
| Customs tariff number | 85366990 |
| Country of origin | DE |

SACC-M12FSL-4PL-CM SH - Power connector



1080237

<https://www.phoenixcontact.com/us/products/1080237>

Technical data

Notes

| | |
|---------------|---|
| Assembly note | NOTE: Observe the permissible bending radii when routing cables, since the degree of protection may be at risk if the bending forces are too high. Reduce mechanical loads upstream of the connector, e.g., by using cable ties. |
|---------------|---|

Mounting

| | |
|---------------|--|
| Assembly note | The wires can be connected both with ferrules and without ferrules |
|---------------|--|

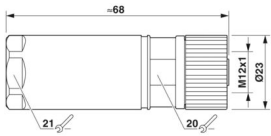
Product properties

| | |
|----------------------|---------------------------------|
| Product type | Circular connector (cable-side) |
| Application | Energy supply |
| Sensor type | Power |
| Number of positions | 4 |
| No. of cable outlets | 1 |
| Shielded | yes |
| Coding | L |
| Cable outlet | straight |

Insulation characteristics

| | |
|----------------------|-----|
| Overvoltage category | III |
| Degree of pollution | 3 |

Dimensions

| | |
|---------------------|--|
| Dimensional drawing |  |
| Length | 68 mm |

External dimensions

| | |
|------------------|----------------|
| Outside diameter | 6 mm ... 11 mm |
|------------------|----------------|

Housing

| | |
|------------------|-------|
| Diameter housing | 23 mm |
|------------------|-------|

Material specifications

| | |
|--|----------------------|
| Flammability rating according to UL 94 | V0 |
| Material of grip body | Brass, nickel-plated |
| Contact surface material | Au |
| Material for screw connection | Brass, nickel-plated |

SACC-M12FSL-4PL-CM SH - Power connector



1080237

<https://www.phoenixcontact.com/us/products/1080237>

Connection data

Conductor connection

| | |
|---|--|
| Connection method | Push-lock spring connection |
| Connection cross section | 1.5 mm ² ... 2.5 mm ² |
| | 1.5 mm ² ... 2.5 mm ² (with ferrule) |
| Connection cross section AWG | 16 ... 14 (without ferrule) |
| | 16 ... 14 (with ferrule) |
| Stripping length of the individual wire | 10 mm |
| Tightening torque | 0.6 Nm (M12 knurl) |
| | 5 Nm (Pressure nut with connector housing) |

Connection assignment

| | |
|---|--------|
| Contact Color (signal designation) Contact (optional) | 1 = BN |
| | 2 = WH |
| | 3 = BU |
| | 4 = BK |

Electrical properties

| | |
|--------------------------------|--|
| Rated surge voltage | 1.5 kV |
| Nominal voltage U _N | 63 V DC |
| Nominal current I _N | 16 A (when using 2.5 mm ² conductors) |
| | 16 A (at 40 °C) |

Mechanical properties

Mechanical data

| | |
|-----------------------------|-------|
| Insertion/withdrawal cycles | ≥ 100 |
|-----------------------------|-------|

Connector

Connection 1

| | |
|-------------------|----------|
| Head design | Socket |
| Head cable outlet | straight |
| Head thread type | M12 |
| Coding | L |

Cable/line

| | |
|---|-------|
| Signal type/category | Power |
| Stripping length of the individual wire | 10 mm |

Environmental and real-life conditions

Ambient conditions

| | |
|---|----------------------------------|
| Degree of protection | IP65 |
| Ambient temperature (operation) (male connector/female connector) | -40 °C ... 85 °C (Plug / socket) |

SACC-M12FSL-4PL-CM SH - Power connector



1080237

<https://www.phoenixcontact.com/us/products/1080237>

| | |
|--------------------------------|---------------------------------|
| Ambient temperature (assembly) | -5 °C ... 50 °C (Plug / socket) |
|--------------------------------|---------------------------------|

Standards and regulations

| | |
|--------------------------|------------------------------|
| Standard designation | M12 connector |
| Standards/specifications | according to IEC 61076-2-111 |

SACC-M12FSL-4PL-CM SH - Power connector

1080237

<https://www.phoenixcontact.com/us/products/1080237>

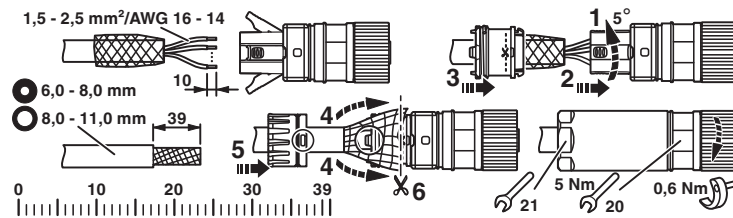
Drawings

Dimensional drawing



M12 x 1 socket, straight, shielded

Functional drawing

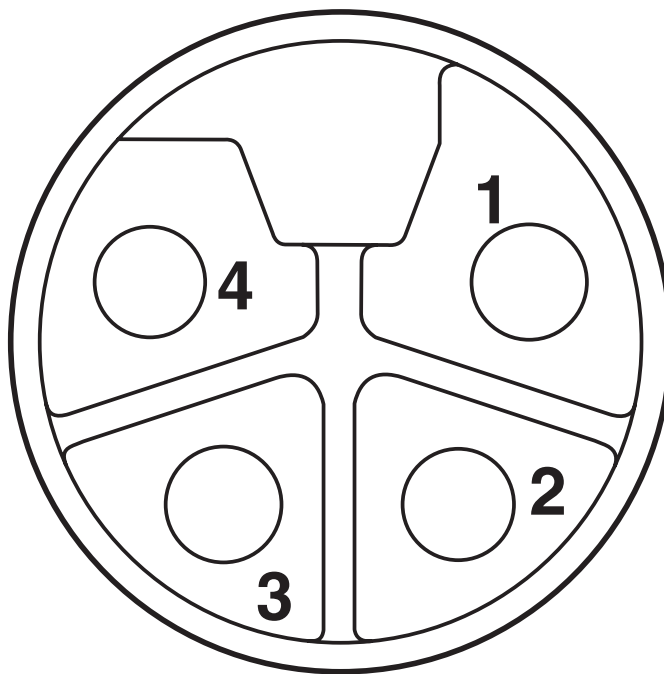


SACC-M12FSL-4PL-CM SH - Power connector

1080237

<https://www.phoenixcontact.com/us/products/1080237>

Schematic diagram



Pin assignment of M12 socket, 4-pos., L-coded, socket side view

SACC-M12FSL-4PL-CM SH - Power connector



1080237

<https://www.phoenixcontact.com/us/products/1080237>

Classifications

ECLASS

| | |
|-------------|----------|
| ECLASS-13.0 | 27440116 |
| ECLASS-15.0 | 27440116 |

ETIM

| | |
|-----------|----------|
| ETIM 10.0 | EC002635 |
|-----------|----------|

UNSPSC

| | |
|-------------|----------|
| UNSPSC 21.0 | 39121400 |
|-------------|----------|

SACC-M12FSL-4PL-CM SH - Power connector



1080237

<https://www.phoenixcontact.com/us/products/1080237>

Environmental product compliance

EU RoHS

| | |
|---|--------------------|
| Fulfills EU RoHS substance requirements | Yes, No exemptions |
|---|--------------------|

China RoHS

| | |
|--|--|
| Environment friendly use period (EFUP) | EFUP-E |
| | No hazardous substances above the limits |

EU REACH SVHC

| | |
|-------------------------------------|----------------------------|
| REACH candidate substance (CAS No.) | No substance above 0.1 wt% |
|-------------------------------------|----------------------------|

Phoenix Contact 2026 © - all rights reserved
<https://www.phoenixcontact.com>

Phoenix Contact USA
586 Fulling Mill Road
Middletown, PA 17057, United States
(+717) 944-1300
info@phoenixcon.com