

# HC-M-DSUB-09/2-CT-M - Contact insert module



1079796

<https://www.phoenixcontact.com/us/products/1079796>

Please be informed that the data shown in this PDF document is generated from our online catalog. Please find the complete data in the user documentation. Our general terms of use for downloads are valid.



HEAVYCON pin contact insert module, D-SUB 9, crimp connection, for two conductors, without crimp contact

## Commercial data

Item number	1079796
Packing unit	1 pc
Minimum order quantity	1 pc
Sales key	BF62
Product key	AF7ACB
GTIN	4055626800554
Weight per piece (including packing)	34.3 g
Weight per piece (excluding packing)	34.3 g
Customs tariff number	85389099
Country of origin	CN

# HC-M-DSUB-09/2-CT-M - Contact insert module



1079796

<https://www.phoenixcontact.com/us/products/1079796>

## Technical data

### Mounting

Assembly note	To ensure correct use, installation in housing with IP54 protection or better is required
---------------	---

### Product properties

Product type	Modular contact insert
Series	HC-M-DSUB-C
Application	Data
Number of positions	9
Connection profile	9
Contact numbering	1 - 9
No. of cable outlets	1
Number of module slots	1
Contact material type	turned

### Insulation characteristics

Overvoltage category	III
Degree of pollution	3

### Connection data

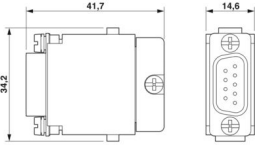
#### Connection technology

Connection technology	Crimp connection
-----------------------	------------------

#### Conductor connection

Conductor cross-section	0.09 mm <sup>2</sup> ... 0.82 mm <sup>2</sup>
Connection cross section AWG	28 ... 18
Stripping length of the individual wire	4.2 mm

### Dimensions

Dimensional drawing	
Width	34.2 mm
Height	35.7 mm
Length	14.6 mm

### Mechanical characteristics

Minimum housing height	52 mm
Contact diameter	1 mm

### Electrical properties

# HC-M-DSUB-09/2-CT-M - Contact insert module



1079796

<https://www.phoenixcontact.com/us/products/1079796>

Rated voltage (III/3)	48 V
Rated surge voltage	0.8 kV
Rated current	5 A

## Mechanical properties

### Mechanical data

Insertion/withdrawal cycles	≥ 500
-----------------------------	-------

## Material specifications

Material Line conductor	Zinc alloy
Flammability rating according to UL 94	V0
Contact material	Copper alloy
Contact surface material	Ag
Contact carrier material	PC

## Environmental and real-life conditions

### Ambient conditions

Ambient temperature (operation)	-40 °C ... 125 °C
---------------------------------	-------------------

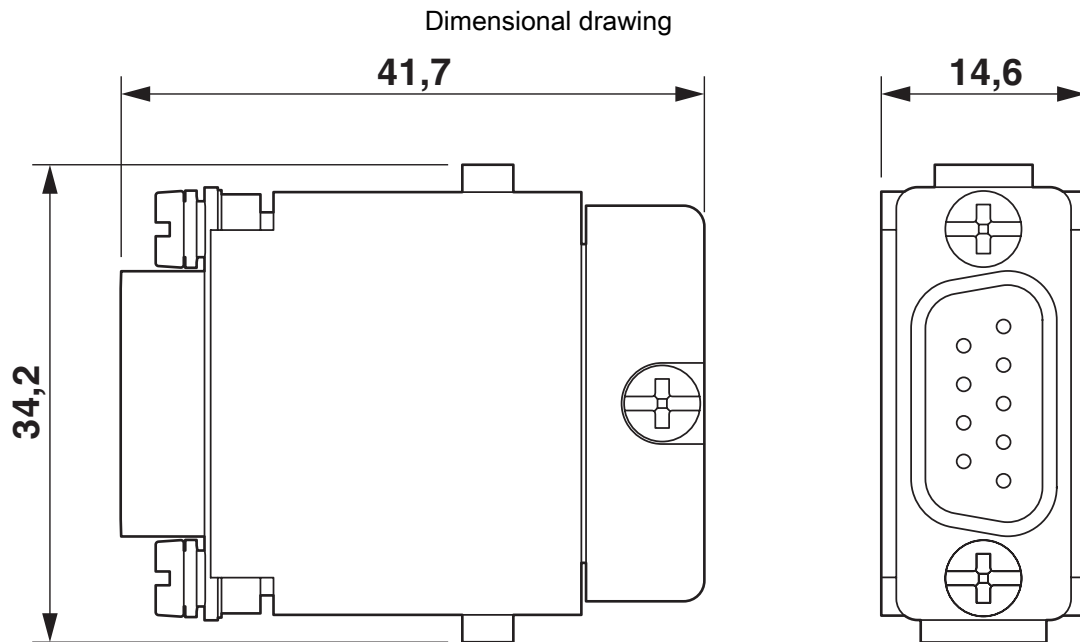
# HC-M-DSUB-09/2-CT-M - Contact insert module



1079796

<https://www.phoenixcontact.com/us/products/1079796>

## Drawings



Dimensional drawing

Dimensional drawing



Stripping length specifications; pin assignment. Cable to be used: Order No. 14164457

# HC-M-DSUB-09/2-CT-M - Contact insert module



1079796

<https://www.phoenixcontact.com/us/products/1079796>

## Approvals

🔗 To download certificates, visit the product detail page: <https://www.phoenixcontact.com/us/products/1079796>

**DNV**

Approval ID: TAE000037S

# HC-M-DSUB-09/2-CT-M - Contact insert module



1079796

<https://www.phoenixcontact.com/us/products/1079796>

## Classifications

### ECLASS

ECLASS-13.0	27440218
ECLASS-15.0	27440218

### ETIM

ETIM 10.0	EC000438
-----------	----------

### UNSPSC

UNSPSC 21.0	39121400
-------------	----------

# HC-M-DSUB-09/2-CT-M - Contact insert module



1079796

<https://www.phoenixcontact.com/us/products/1079796>

## Environmental product compliance

### EU RoHS

Fulfills EU RoHS substance requirements	Yes, No exemptions
---	--------------------

### China RoHS

Environment friendly use period (EFUP)	EFUP-E
	No hazardous substances above the limits

### EU REACH SVHC

REACH candidate substance (CAS No.)	No substance above 0.1 wt%
-------------------------------------	----------------------------

Phoenix Contact 2026 © - all rights reserved  
<https://www.phoenixcontact.com>

Phoenix Contact USA  
586 Fulling Mill Road  
Middletown, PA 17057, United States  
(+717) 944-1300  
[info@phoenixcon.com](mailto:info@phoenixcon.com)