

HC-M-DSUB-09/2-CT-F - Contact insert module



1079793

<https://www.phoenixcontact.com/us/products/1079793>

Please be informed that the data shown in this PDF document is generated from our online catalog. Please find the complete data in the user documentation. Our general terms of use for downloads are valid.



HEAVYCON socket contact insert module, D-SUB 9, crimp connection, for two conductors, without crimp contact

Commercial data

Item number	1079793
Packing unit	1 pc
Minimum order quantity	1 pc
Sales key	BF62
Product key	AF7ACB
GTIN	4055626800431
Weight per piece (including packing)	35.1 g
Weight per piece (excluding packing)	35.1 g
Customs tariff number	85389099
Country of origin	CN

HC-M-DSUB-09/2-CT-F - Contact insert module



1079793

<https://www.phoenixcontact.com/us/products/1079793>

Technical data

Notes

General	For module carrier frames HC-M-B...-MF-H/HC-M-B...-MF-B, for two conductors
General	Connectors may be operated only when there is no load/voltage.
General	The use of guide pins (HC-CST) and sockets (HC-CBU) is recommended to prevent tip collision due to misalignment.

Mounting

Assembly note	To ensure correct use, installation in housing with IP54 protection or better is required
---------------	---

Product properties

Product type	Modular contact insert
Series	HC-M-DSUB-C
Application	Data
Number of positions	9
Connection profile	9
Contact numbering	1 - 9
No. of cable outlets	1
Number of module slots	1
Contact material type	turned

Insulation characteristics

Overvoltage category	III
Degree of pollution	3

Connection data

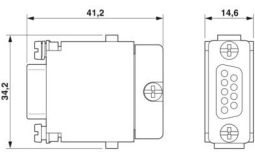
Connection technology

Connection technology	Crimp connection
-----------------------	------------------

Conductor connection

Conductor cross-section	0.09 mm ² ... 0.82 mm ²
Connection cross section AWG	28 ... 18
Stripping length of the individual wire	4.2 mm

Dimensions

Dimensional drawing	
Width	34.2 mm
Height	35.7 mm

HC-M-DSUB-09/2-CT-F - Contact insert module



1079793

<https://www.phoenixcontact.com/us/products/1079793>

Length	14.6 mm
--------	---------

Mechanical characteristics

Minimum housing height	52 mm
Contact diameter	1 mm

Electrical properties

Rated voltage (III/3)	48 V
Rated surge voltage	0.8 kV
Rated current	5 A

Mechanical properties

Mechanical data

Insertion/withdrawal cycles	≥ 500
-----------------------------	-------

Material specifications

Material Line conductor	Zinc alloy
Flammability rating according to UL 94	V0
Contact material	Copper alloy
Contact surface material	Ag
Contact carrier material	PC

Environmental and real-life conditions

Ambient conditions

Ambient temperature (operation)	-40 °C ... 125 °C
---------------------------------	-------------------

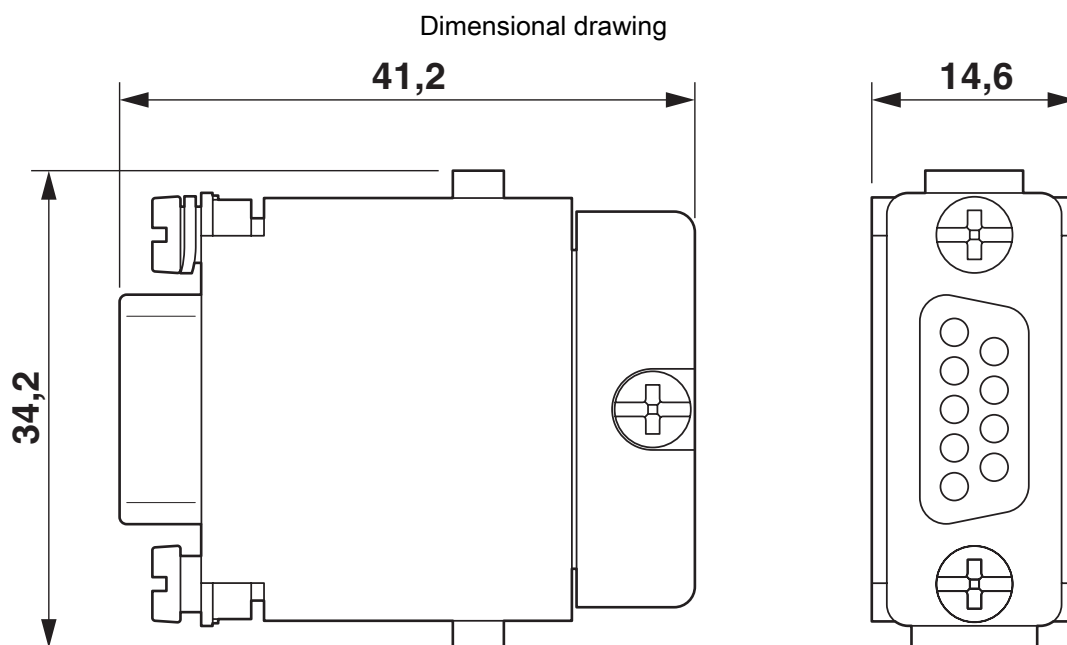
HC-M-DSUB-09/2-CT-F - Contact insert module

1079793

<https://www.phoenixcontact.com/us/products/1079793>



Drawings



Dimensional drawing

Dimensional drawing



Stripping length specifications, pin assignment

HC-M-DSUB-09/2-CT-F - Contact insert module



1079793

<https://www.phoenixcontact.com/us/products/1079793>

Approvals

🔗 To download certificates, visit the product detail page: <https://www.phoenixcontact.com/us/products/1079793>

DNV

Approval ID: TAE000037S

HC-M-DSUB-09/2-CT-F - Contact insert module



1079793

<https://www.phoenixcontact.com/us/products/1079793>

Classifications

ECLASS

ECLASS-13.0	27440218
ECLASS-15.0	27440218

ETIM

ETIM 10.0	EC000438
-----------	----------

UNSPSC

UNSPSC 21.0	39121400
-------------	----------

HC-M-DSUB-09/2-CT-F - Contact insert module



1079793

<https://www.phoenixcontact.com/us/products/1079793>

Environmental product compliance

EU RoHS

Fulfills EU RoHS substance requirements	Yes, No exemptions
---	--------------------

China RoHS

Environment friendly use period (EFUP)	EFUP-E
	No hazardous substances above the limits

EU REACH SVHC

REACH candidate substance (CAS No.)	No substance above 0.1 wt%
-------------------------------------	----------------------------

Phoenix Contact 2026 © - all rights reserved
<https://www.phoenixcontact.com>

Phoenix Contact USA
586 Fulling Mill Road
Middletown, PA 17057, United States
(+717) 944-1300
info@phoenixcon.com