

HC-COM-Q08-I-CT-F - Contact insert



1079547

<https://www.phoenixcontact.com/us/products/1079547>

Please be informed that the data shown in this PDF document is generated from our online catalog. Please find the complete data in the user documentation. Our general terms of use for downloads are valid.



Contact insert, number of positions: 8+PE, size: COM, power contacts: 8, control contacts: 0, number of connections per position: 1, Socket, Crimp connection, 320 V, 16 A, 0.5 mm² ... 4 mm², application: Power

Product description

Contact insert, incl. 4 mounting screws

Your advantages

- Shock and vibration-resistant in accordance with DIN EN 61373

Commercial data

Item number	1079547
Packing unit	1 pc
Minimum order quantity	1 pc
Sales key	BF61
Product key	AF7ABH
GTIN	4055626799490
Weight per piece (including packing)	20.5 g
Weight per piece (excluding packing)	20.22 g
Customs tariff number	85389099
Country of origin	CN

HC-COM-Q08-I-CT-F - Contact insert



1079547

<https://www.phoenixcontact.com/us/products/1079547>

Technical data

Mounting

Assembly note	To ensure correct use, installation in housing with IP54 protection or better is required
---------------	---

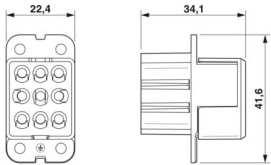
Product properties

Product type	Contact insert with a fixed no. of positions
Series	HC-COM
Application	Power
Type	COM
Number of positions	8
Connection profile	8+PE
Contact numbering	1 - 8
Number of connections per position	1
No. of power contacts	8
No. of control contacts	0
Contact material type	turned

Insulation characteristics

Overvoltage category	III
Degree of pollution	3

Dimensions

Dimensional drawing	
Width	25.6 mm
Height	48.05 mm
Length	45 mm

Mechanical characteristics

Contact diameter	2.5 mm
------------------	--------

Connection data

Connection technology

Connection technology	Crimp connection
Number of connections per position	1
Connection in acc. with standard	IEC / EN

Conductor connection

Conductor cross-section	0.5 mm ² ... 4 mm ²
-------------------------	---

HC-COM-Q08-I-CT-F - Contact insert



1079547

<https://www.phoenixcontact.com/us/products/1079547>

Connection cross section AWG	20 ... 12
Stripping length of the individual wire	7.5 mm (Power)

Electrical properties

Rated voltage (III/2) contacts	500 V
Rated voltage (III/3)	320 V
Rated voltage for power contacts	500
Rated surge voltage	6 kV
Rated current	16 A

Mechanical properties

Mechanical data

Insertion/withdrawal cycles	≥ 500
-----------------------------	-------

Material specifications

Flammability rating according to UL 94	V0
Contact material	Copper alloy
Contact surface material	Ag (alternatively Au)
Contact carrier material	PC
Standards/regulations	PC

Environmental and real-life conditions

Ambient conditions

Ambient temperature (operation)	-40 °C ... 125 °C (including heating up of contacts)
---------------------------------	--

Standards and regulations

Testing

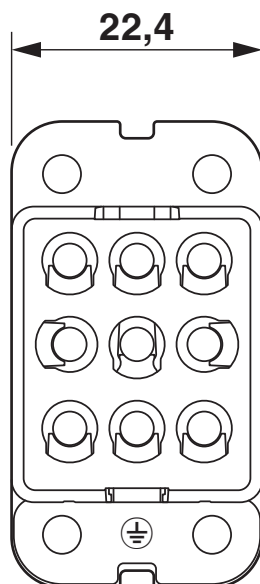
Standards/regulations	PC: Fire protection in rail vehicles - requirement sets R22, R23, and R24 acc. to DIN EN 45545-2 (Risk level HL1 - HL3)
-----------------------	---

HC-COM-Q08-I-CT-F - Contact insert

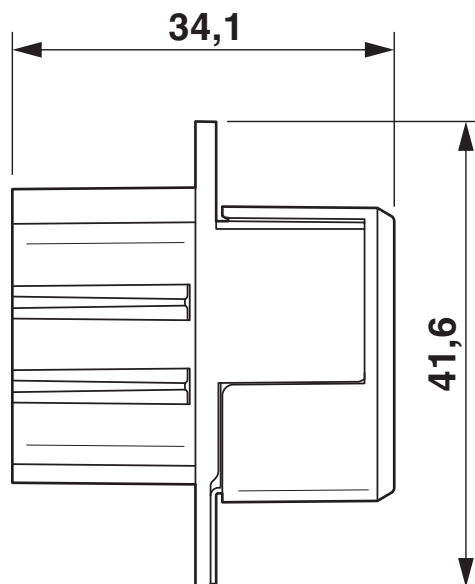
1079547

<https://www.phoenixcontact.com/us/products/1079547>

Drawings



Dimensional drawing



Dimensional drawing

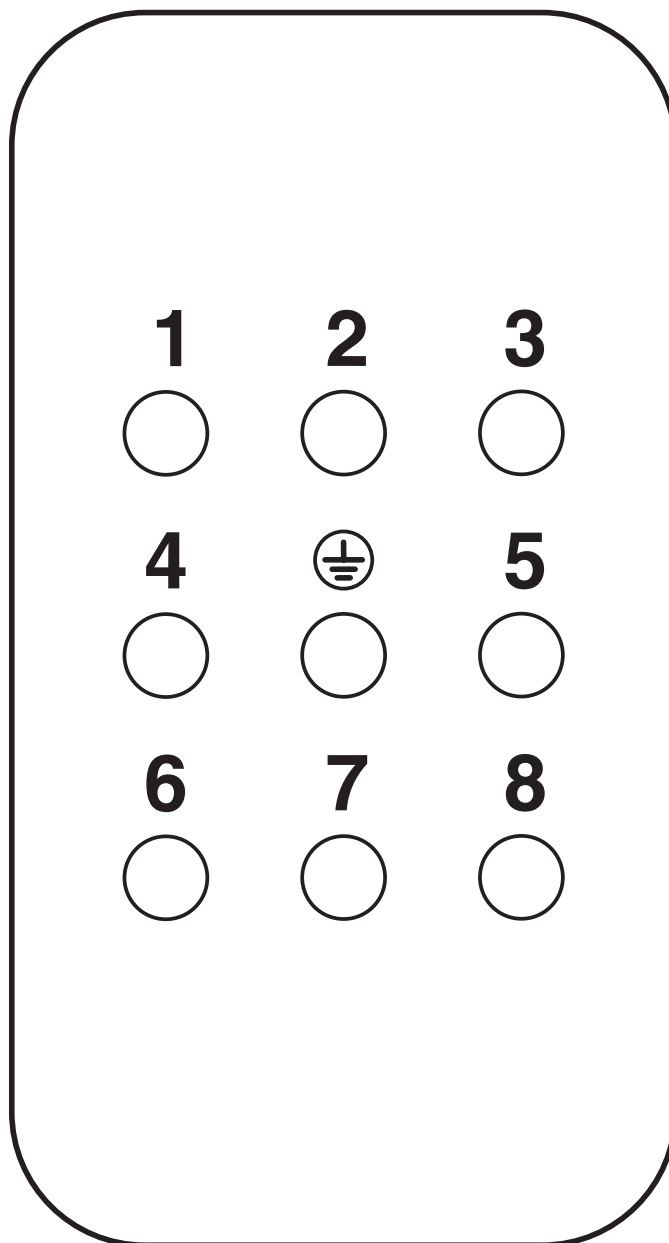
HC-COM-Q08-I-CT-F - Contact insert

1079547

<https://www.phoenixcontact.com/us/products/1079547>



Schematic diagram



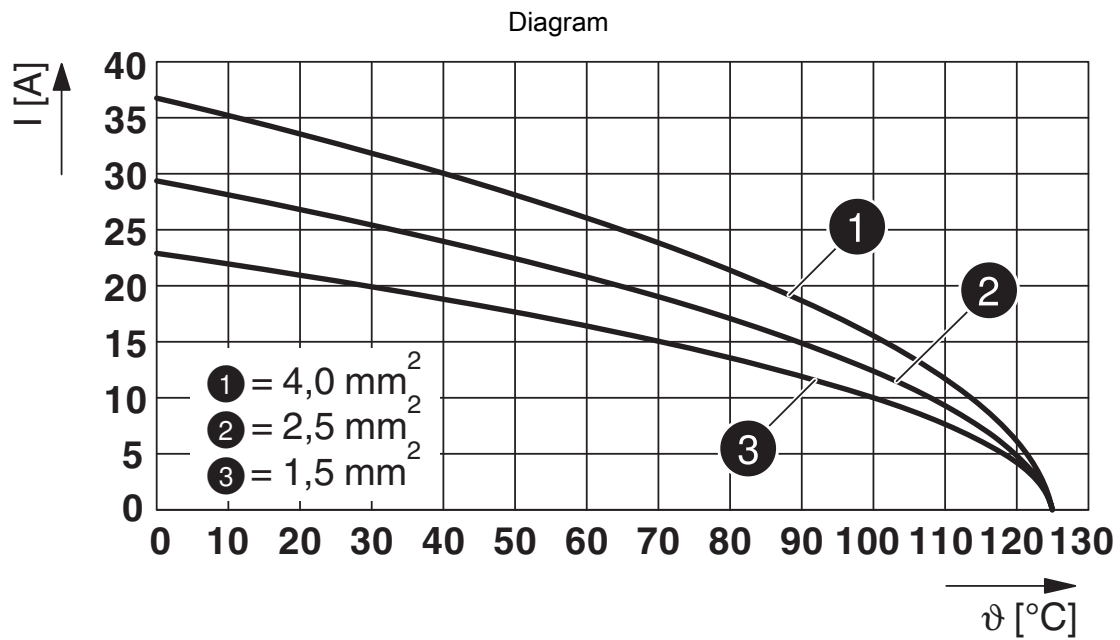
Connector pin assignment, connection side

HC-COM-Q08-I-CT-F - Contact insert



1079547

<https://www.phoenixcontact.com/us/products/1079547>



Derating diagram

HC-COM-Q08-I-CT-F - Contact insert




1079547

<https://www.phoenixcontact.com/us/products/1079547>

Approvals

To download certificates, visit the product detail page: <https://www.phoenixcontact.com/us/products/1079547>

 UL Recognized Approval ID: E468743				
	Nominal voltage U_N	Nominal current I_N	Cross section AWG	Cross section mm^2
keine				
	600 V	24 A	- 12	-

HC-COM-Q08-I-CT-F - Contact insert



1079547

<https://www.phoenixcontact.com/us/products/1079547>

Classifications

ECLASS

ECLASS-13.0	27440205
ECLASS-15.0	27440205

ETIM

ETIM 10.0	EC000438
-----------	----------

UNSPSC

UNSPSC 21.0	39121500
-------------	----------

HC-COM-Q08-I-CT-F - Contact insert



1079547

<https://www.phoenixcontact.com/us/products/1079547>

Environmental product compliance

EU RoHS

Fulfills EU RoHS substance requirements	Yes, No exemptions
---	--------------------

China RoHS

Environment friendly use period (EFUP)	EFUP-E
	No hazardous substances above the limits

EU REACH SVHC

REACH candidate substance (CAS No.)	No substance above 0.1 wt%
-------------------------------------	----------------------------

Phoenix Contact 2026 © - all rights reserved
<https://www.phoenixcontact.com>

Phoenix Contact USA
586 Fulling Mill Road
Middletown, PA 17057, United States
(+717) 944-1300
info@phoenixcon.com