

# HC-COM-HCWS-PL-BK - Protective cover



1079395

<https://www.phoenixcontact.com/us/products/1079395>

Please be informed that the data shown in this PDF document is generated from our online catalog. Please find the complete data in the user documentation. Our general terms of use for downloads are valid.



Protective cover COM, with single locking latch, protective cover material: PA, height: 20.5 mm, seal: no, Standard, for pin inserts

## Commercial data

Item number	1079395
Packing unit	1 pc
Minimum order quantity	1 pc
Sales key	BF66
Product key	AF7AZC
GTIN	4055626799216
Weight per piece (including packing)	22 g
Weight per piece (excluding packing)	22 g
Customs tariff number	39269097
Country of origin	CN

# HC-COM-HCWS-PL-BK - Protective cover



1079395

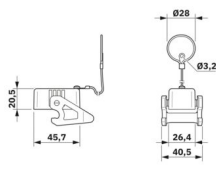
<https://www.phoenixcontact.com/us/products/1079395>

## Technical data

### Product properties

Product type	Protective cover
Housing type	Protective cover
Series	HC-COM
Application	Standard
Type	COM
Retaining cord present	yes
Seal present	no

### Dimensions

Dimensional drawing	
Width	39 mm
Height	20.5 mm
Length	45.8 mm
Diameter	28 mm

### Material specifications

Material Protective cover	PA
Flammability rating according to UL 94	V0
Material, protective cover	PA
Locking latch material	PA

### Mechanical properties

#### Mechanical data

Locking type	Latch
--------------	-------

### Environmental and real-life conditions

#### Ambient conditions

Ambient temperature (operation)	-40 °C ... 125 °C
---------------------------------	-------------------

# HC-COM-HCWS-PL-BK - Protective cover

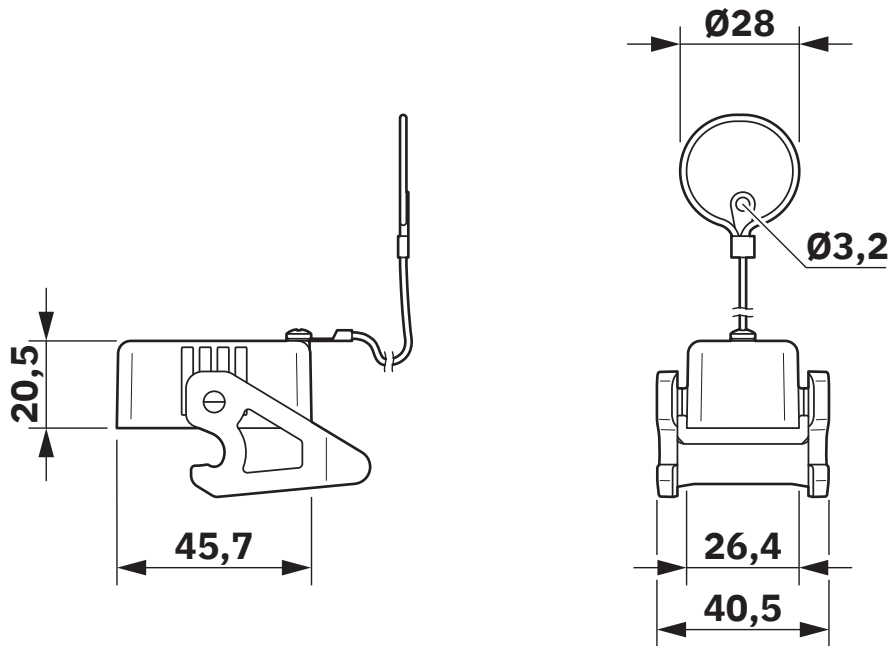
1079395

<https://www.phoenixcontact.com/us/products/1079395>



## Drawings

Dimensional drawing



Dimensional drawing

# HC-COM-HCWS-PL-BK - Protective cover



1079395

<https://www.phoenixcontact.com/us/products/1079395>

## Classifications

### ECLASS

ECLASS-13.0	27440208
ECLASS-15.0	27440208

### ETIM

ETIM 10.0	EC002314
-----------	----------

### UNSPSC

UNSPSC 21.0	39121400
-------------	----------

# HC-COM-HCWS-PL-BK - Protective cover



1079395

<https://www.phoenixcontact.com/us/products/1079395>

## Environmental product compliance

### EU RoHS

Fulfills EU RoHS substance requirements	Yes, No exemptions
---	--------------------

### China RoHS

Environment friendly use period (EFUP)	EFUP-E
	No hazardous substances above the limits

### EU REACH SVHC

REACH candidate substance (CAS No.)	No substance above 0.1 wt%
-------------------------------------	----------------------------

Phoenix Contact 2026 © - all rights reserved  
<https://www.phoenixcontact.com>

Phoenix Contact USA  
586 Fulling Mill Road  
Middletown, PA 17057, United States  
(+717) 944-1300  
[info@phoenixcon.com](mailto:info@phoenixcon.com)