

HC-COM-SHOWS-1SGM25-PL-BK - Housing



1079393

<https://www.phoenixcontact.com/us/products/1079393>

Please be informed that the data shown in this PDF document is generated from our online catalog. Please find the complete data in the user documentation. Our general terms of use for downloads are valid.

Surface mounting housing COM, with single locking latch, material: PA, cable outlets: 1, lateral, 1x M25, height: 36 mm, cable gland: with, Standard



Your advantages

- Lower costs than metal version
- Low weight
- Lower risk of condensation

Commercial data

Item number	1079393
Packing unit	1 pc
Minimum order quantity	1 pc
Sales key	BF59
Product key	AF7APO
GTIN	4055626798493
Weight per piece (including packing)	62.8 g
Weight per piece (excluding packing)	62 g
Customs tariff number	85389099
Country of origin	CN

HC-COM-SHOWS-1SGM25-PL-BK - Housing

1079393

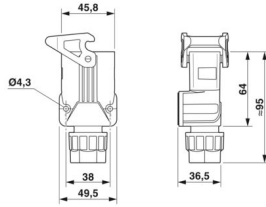
<https://www.phoenixcontact.com/us/products/1079393>

Technical data

Product properties

Product type	Housing with locking latch
Housing type	Surface mounting housing
Product family	HC-COM
Application	Standard
Type	COM
No. of cable outlets	1
Type of the screw connection	1x M25
Cable outlet	lateral
Pg screw connection	with

Dimensions

Dimensional drawing	
Width	49.5 mm
Height	36 mm
Length	97 mm
Hole diameter	3.5 mm
Wrench size, union nut	27 mm

Installation dimensions

Width of the assembly cutout	23.5 mm
Length of the assembly cutout	25.5 mm

Material specifications

Flammability rating according to UL 94	V0 (Housing) V0 (Interlock)
Seal material	NBR
Housing material	PA
Locking latch material	PA

Mechanical properties

Mechanical data

Type of the screw connection	1x M25
Locking type	Latch

Cable/line

HC-COM-SHOWS-1SGM25-PL-BK - Housing



1079393

<https://www.phoenixcontact.com/us/products/1079393>

External cable diameter	10 mm ... 16 mm
-------------------------	-----------------

Connection data

External cable diameter	10 mm ... 16 mm
Tightening torque	0.8 Nm ... 1.2 Nm (for M4 mounting screws on the surface-mount housing)

Environmental and real-life conditions

Ambient conditions

Degree of protection	IP66
Impact strength	IK06
Ambient temperature (operation)	-40 °C ... 125 °C

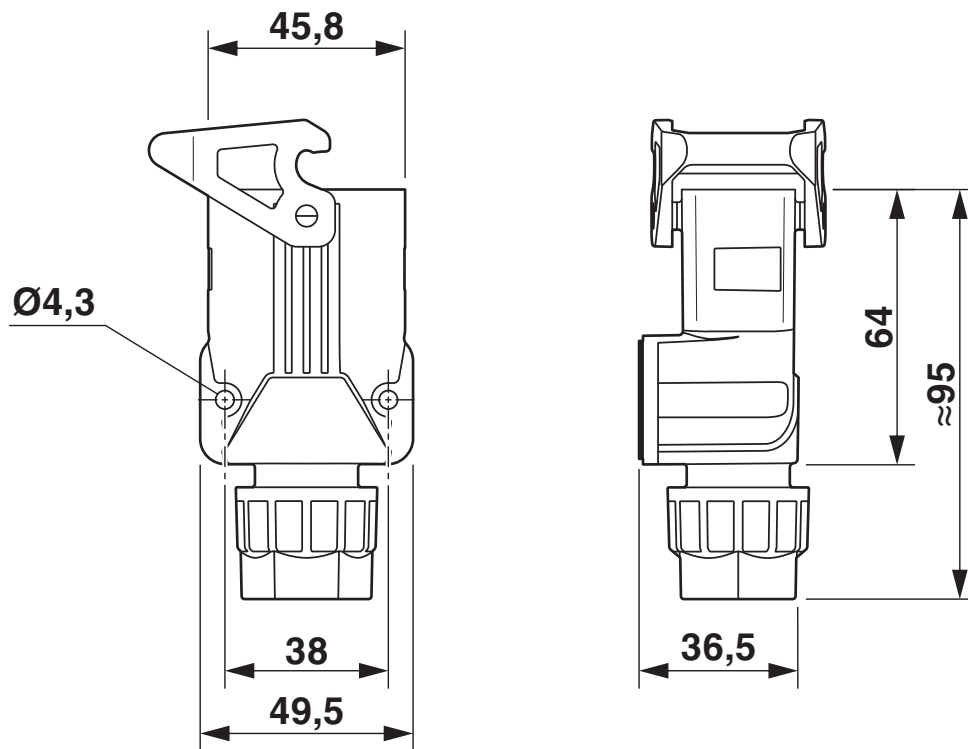
HC-COM-SHOWS-1SGM25-PL-BK - Housing

1079393

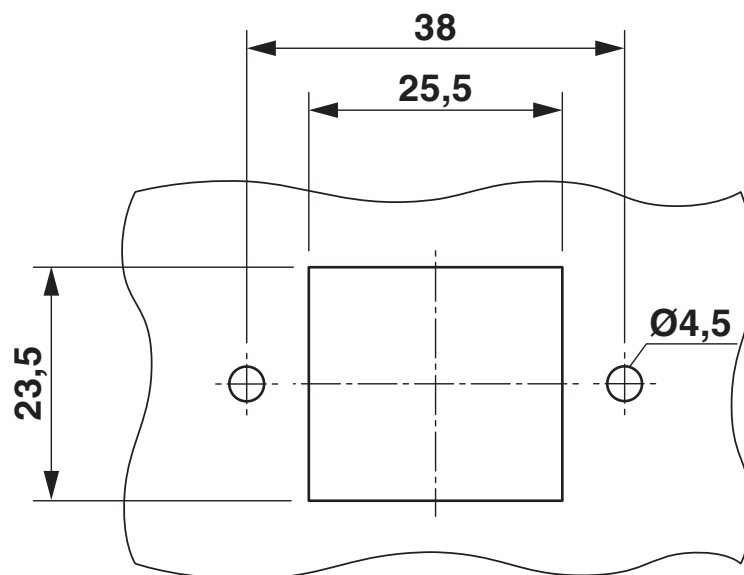
<https://www.phoenixcontact.com/us/products/1079393>

Drawings

Dimensional drawing



Dimensional drawing



Mounting cutout

HC-COM-SHOWS-1SGM25-PL-BK - Housing



1079393

<https://www.phoenixcontact.com/us/products/1079393>

Approvals

To download certificates, visit the product detail page: <https://www.phoenixcontact.com/us/products/1079393>



cUL Recognized
Approval ID: E255026



UL Recognized
Approval ID: E255026

HC-COM-SHOWS-1SGM25-PL-BK - Housing



1079393

<https://www.phoenixcontact.com/us/products/1079393>

Classifications

ECLASS

ECLASS-15.0	27440202
ECLASS-13.0	27440202

ETIM

ETIM 10.0	EC000437
-----------	----------

UNSPSC

UNSPSC 21.0	31261500
-------------	----------

HC-COM-SHOWS-1SGM25-PL-BK - Housing



1079393

<https://www.phoenixcontact.com/us/products/1079393>

Environmental product compliance

EU RoHS

Fulfills EU RoHS substance requirements	Yes, No exemptions
---	--------------------

China RoHS

Environment friendly use period (EFUP)	EFUP-E
	No hazardous substances above the limits

EU REACH SVHC

REACH candidate substance (CAS No.)	No substance above 0.1 wt%
-------------------------------------	----------------------------

Phoenix Contact 2026 © - all rights reserved
<https://www.phoenixcontact.com>

Phoenix Contact USA
586 Fulling Mill Road
Middletown, PA 17057, United States
(+717) 944-1300
info@phoenixcon.com