

# AXL SE PSDO4/2 2A - Safety module



1079231

<https://www.phoenixcontact.com/us/products/1079231>

Please be informed that the data shown in this PDF document is generated from our online catalog. Please find the complete data in the user documentation. Our general terms of use for downloads are valid.



Axioline Smart Elements, Digital output module, Functional safety, PROFIsafe, only for connection to Phoenix Contact or Siemens controller, Safe digital outputs: 2 (2-channel assignment), 4 (1-channel assignment), 24 V DC, 2 A, connection technology: 2-conductor, degree of protection: IP20

## Product description

You can integrate Axioline Smart Elements into systems with the Smart Element interface. This Smart Element is a safe output module for use in a PROFIsafe system.

## Your advantages

- Up to SIL 3 in accordance with EN 61508
- Up to Cat. 4/PL e in accordance with EN ISO 13849-1, SIL 3 in accordance with EN IEC 62061
- 4 safe outputs for 1-channel assignment
- 2 safe outputs for 2-channel assignment

## Commercial data

Item number	1079231
Packing unit	1 pc
Minimum order quantity	1 pc
Sales key	DN03
Product key	DNA831
GTIN	4055626798073
Weight per piece (including packing)	47.5 g
Weight per piece (excluding packing)	36 g
Customs tariff number	85389091
Country of origin	DE

# AXL SE PSDO4/2 2A - Safety module



1079231

<https://www.phoenixcontact.com/us/products/1079231>

## Technical data

### Dimensions

Dimensional drawing	
Width	14.9 mm
Height	62.2 mm
Depth	62 mm

### Notes

#### Note on application

Note on application	Only for industrial use
---------------------	-------------------------

### Interfaces

#### Smart Element interface

Number of interfaces	1
Connection method	Card edge connector
Transmission speed	See system in which you use the Smart Element.

### System properties

#### Module

Input address area	5 Byte (PROFIsafe 2.6.1)
Output address area	6 Byte (PROFIsafe 2.6.1)

### Output data

#### Digital:

Output name	Safe digital outputs
Output description	EN 61131-2
Connection method	Push-in connection
Connection technology	2-conductor
Number of outputs	2 (2-channel assignment) 4 (1-channel assignment)
Protective circuit	Short-circuit protection, overload protection of the outputs; electronic
Output voltage	24 V DC
Output current	max. 2 A (per output)
Maximum output current per channel	2 A

# AXL SE PSDO4/2 2A - Safety module



1079231

<https://www.phoenixcontact.com/us/products/1079231>

Maximum output current per module	4 A
Nominal output voltage	24 V DC
Load min.	1.5 k $\Omega$ (at nominal voltage)
Output voltage when switched off	< 5 V
Output current when switched off	< 2 mA
Nominal load, inductive	48 VA (1 H; 12 $\Omega$ ; at nominal voltage)
Nominal load, ohmic	48 W (12 $\Omega$ , at nominal voltage)
Switching frequency	1 Hz (0.2 Hz at > 1 A)
Reverse voltage resistance to short pulses	no
Behavior with overload	Switch-off of the relevant output, restart upon acknowledgment
Behavior with inductive overload	Output can be destroyed

## Product properties

Product type	I/O component
Product family	Axioline Smart Elements
Application	Functional safety PROFIsafe only for connection to Phoenix Contact or Siemens controller
Type	modular
Mounting position	any
Operating mode	PROFIsafe 2.4, PROFIsafe 2.6.1

## Insulation characteristics

Overvoltage category	II (IEC 60664-1)
Pollution degree	2 (EN 60664-1)

## Electrical properties

Maximum power dissipation for nominal condition	typ. 871 mW
Transmission medium	Copper

## Potentials

Protection	external fusing via the system in which the Smart Element is used
Protective circuit	Surge protection of the supply voltage; electronic (35 V, 0.5 s) Polarity reversal protection of the supply voltage; via the system in which the Smart Element is used

## Potentials: Axioline F local bus supply ( $U_{BUS}$ )

Supply voltage	5 V DC (via bus base module)
Current draw	max. 120 mA (at $U_{BUS}$ 5 V DC) typ. 93 mA (at $U_{BUS}$ 5 V DC)

## Potentials: Communications power supply of the Smart Elements ( $U_{SE}$ )

Supply voltage	using card edge connectors
----------------	----------------------------

## Potentials: I/O supply ( $U_P$ )

Supply voltage	24 V DC (using card edge connectors)
----------------	--------------------------------------

# AXL SE PSDO4/2 2A - Safety module



1079231

<https://www.phoenixcontact.com/us/products/1079231>

Supply voltage range	19.2 V DC ... 30 V DC (including all tolerances, including ripple)
Current draw	max. 30 mA ((Supply from U <sub>P</sub> with 30 V DC, all outputs set, without supply to the actuators))
	typ. 25 mA ((Supply from U <sub>P</sub> with 24 V DC, all outputs set, without supply to the actuators))
Current consumption	min. 21 mA ((Supply from U <sub>P</sub> with 19.2 V DC, all outputs set, without supply to the actuators))
Power consumption	max. 900 mW
	min. 403 mW

## Connection data

### Connection technology

Connection name	I/O
Note on the connection method	Note the specification in the section Conductor cross-sections, and stripping and insertion lengths.

### I/O

Connection method	Push-in connection
Note on the connection method	Note the specification in the section Conductor cross-sections, and stripping and insertion lengths.
Conductor cross-section, rigid	0.25 mm <sup>2</sup> ... 1.5 mm <sup>2</sup>
Conductor cross-section, flexible	0.25 mm <sup>2</sup> ... 1.5 mm <sup>2</sup>
Conductor cross-section AWG	24 ... 16
Conductor cross-section, flexible, with ferrule, with plastic sleeve	0.25 mm <sup>2</sup> ... 1.5 mm <sup>2</sup>
Conductor cross-section, flexible, with ferrule, without plastic sleeve	0.25 mm <sup>2</sup> ... 1.5 mm <sup>2</sup>
	0.25 mm <sup>2</sup> ... 1.5 mm <sup>2</sup>
Conductor cross-section, flexible, with ferrule, with plastic sleeve	0.25 mm <sup>2</sup> ... 1.5 mm <sup>2</sup>
Stripping length	8 mm

## Environmental and real-life conditions

### Ambient conditions

Ambient temperature (operation)	-25 °C ... 60 °C
Degree of protection	IP20
Degree of protection at installation location	min. IP54
Air pressure (operation)	70 kPa ... 108 kPa
Air pressure (storage/transport)	66 kPa ... 108 kPa
Ambient temperature (storage/transport)	-40 °C ... 85 °C
Permissible humidity (operation)	5 % ... 95 % (non-condensing)
Permissible humidity (storage/transport)	5 % ... 95 % (non-condensing)

## Standards and regulations

Protection class	III (IEC 61140, EN 61140, VDE 0140-1)
------------------	---------------------------------------

### Air clearances and creepage distances

Air clearances and creepage distances	IEC 60664-1
---------------------------------------	-------------

# AXL SE PSDO4/2 2A - Safety module



1079231

<https://www.phoenixcontact.com/us/products/1079231>

## Mounting

Mounting type	Plug-in mounting (Smart Element slot)
Mounting position	any

# AXL SE PSDO4/2 2A - Safety module

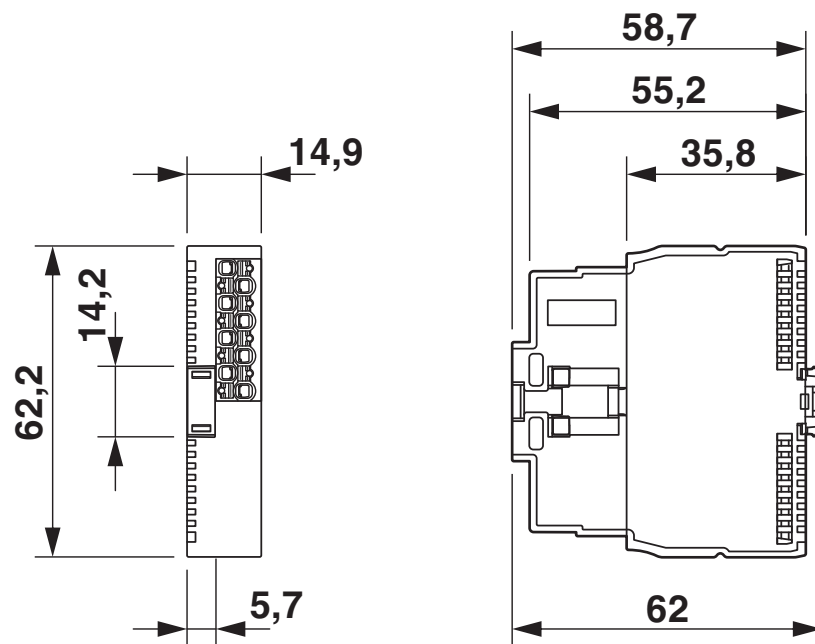
1079231

<https://www.phoenixcontact.com/us/products/1079231>



## Drawings

Dimensional drawing



## Dimensions

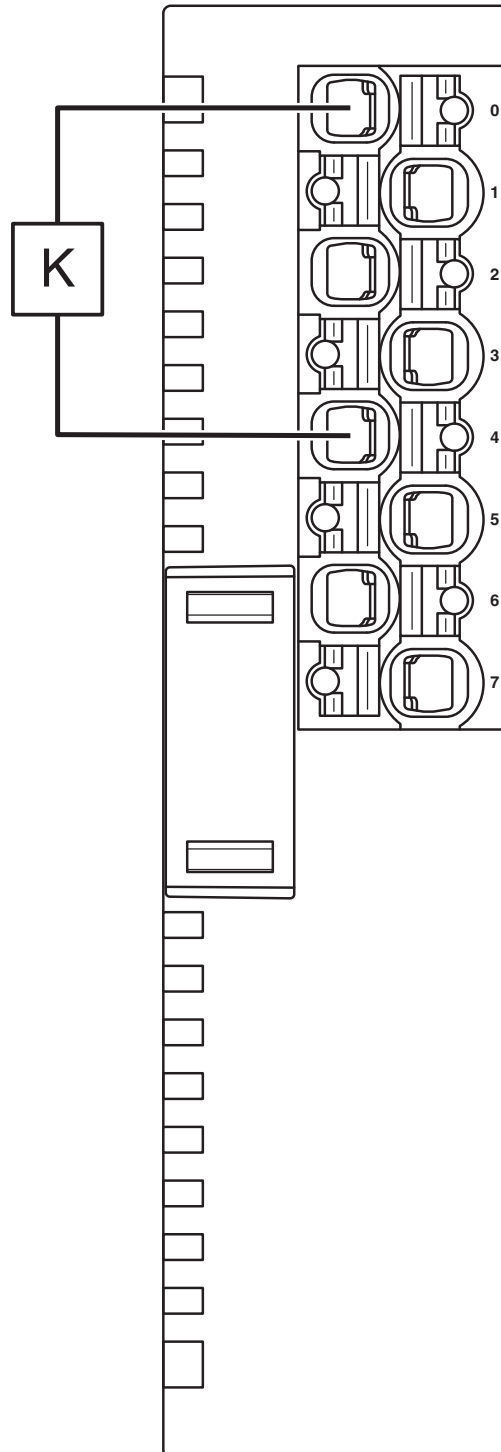
# AXL SE PSDO4/2 2A - Safety module

1079231

<https://www.phoenixcontact.com/us/products/1079231>



Connection diagram



Example connection of a contactor

# AXL SE PSDO4/2 2A - Safety module



1079231

<https://www.phoenixcontact.com/us/products/1079231>

## Approvals

To download certificates, visit the product detail page: <https://www.phoenixcontact.com/us/products/1079231>



**LR**

Approval ID: LR23402057TA

**DNV**

Approval ID: TAA00003B0



**RINA**

Approval ID: ELE263623XG

**ABS**

Approval ID: 24-2510075-PDA



**cULus Listed**

Approval ID: E238705

**PROFIsafe**

Approval ID: Z20275



**Functional Safety**

Approval ID: 968/EZ 650.04/20

**FS Thermoprocess**

Approval ID: 968 INS 799.01 25

# AXL SE PSDO4/2 2A - Safety module



1079231

<https://www.phoenixcontact.com/us/products/1079231>

## Classifications

### ECLASS

ECLASS-13.0	27242604
ECLASS-15.0 ASSET	27250101
ECLASS-15.0	27242604

### ETIM

ETIM 10.0	EC001599
-----------	----------

### UNSPSC

UNSPSC 21.0	32151600
-------------	----------

1079231

<https://www.phoenixcontact.com/us/products/1079231>

## Environmental product compliance

### EU RoHS

Fulfills EU RoHS substance requirements	Yes
Exemption	7(a), 7(c)-I

### China RoHS

Environment friendly use period (EFUP)	EFUP-50
	An article-related China RoHS declaration table can be found in the download area for the respective article under "Manufacturer declaration". For all articles with EFUP-E, no China RoHS declaration table issued and required.

### EU REACH SVHC

REACH candidate substance (CAS No.)	Lead(CAS: 7439-92-1)
	2,2',6,6'-tetrabromo-4,4'-isopropylidenediphenol(CAS: 79-94-7)
SCIP	7b7f7750-5b04-4f8c-b763-23fdec3383

### EF3.1 Climate Change

CO2e kg	11.403 kg CO2e
---------	----------------

Phoenix Contact 2026 © - all rights reserved  
<https://www.phoenixcontact.com>

Phoenix Contact USA  
 586 Fulling Mill Road  
 Middletown, PA 17057, United States  
 (+717) 944-1300  
[info@phoenixcon.com](mailto:info@phoenixcon.com)