

HC-Q-I-RJ45-08-M - Contact insert



1077117

<https://www.phoenixcontact.com/us/products/1077117>

Please be informed that the data shown in this PDF document is generated from our online catalog. Please find the complete data in the user documentation. Our general terms of use for downloads are valid.

Contact insert, number of positions: RJ45, size: D7, type : RJ45, Pin, 50 V, 1 A, application: Data, With RJ45 contact insert



Your advantages

- Shock and vibration-resistant in accordance with DIN EN 61373

Commercial data

Item number	1077117
Packing unit	1 pc
Minimum order quantity	1 pc
Sales key	BF61
Product key	AF7ABJ
GTIN	4055626788814
Weight per piece (including packing)	11.2 g
Weight per piece (excluding packing)	9.5 g
Customs tariff number	85366990
Country of origin	CN

HC-Q-I-RJ45-08-M - Contact insert



1077117

<https://www.phoenixcontact.com/us/products/1077117>

Technical data

Notes

General	Connectors may be operated only when there is no load/voltage.
---------	--

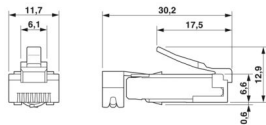
Product properties

Product type	Contact insert with a fixed no. of positions
Series	HC-Q
Application	Data
Type	D7
Sensor type	Ethernet
Number of positions	8
Connection profile	RJ45

Insulation characteristics

Overvoltage category	III
Degree of pollution	3

Dimensions

Dimensional drawing	
Width	21 mm
Height	22 mm
Length	21 mm

Connection data

Connection technology

Connection in acc. with standard	IEC / EN
----------------------------------	----------

Conductor connection

Connection cross section AWG	24 ... 27 (flexible)
Tightening torque	0.5 Nm ... 0.8 Nm (Mounting screws for mounting in the HEAVYCON housing)

Electrical properties

Rated voltage (III/3)	50 V
Rated surge voltage	0.8 kV
Rated current	1 A
Nominal voltage U_N	50 V
Transmission characteristics (category)	CAT6 _A (IEC 60512-27-100:2008, TIA-568-C.2:2009)

Material specifications

HC-Q-I-RJ45-08-M - Contact insert



1077117

<https://www.phoenixcontact.com/us/products/1077117>

Flammability rating according to UL 94	V0
Contact material	Copper alloy
Contact surface material	Au
Contact carrier material	PC
Standards/regulations	PC

Environmental and real-life conditions

Ambient conditions

Ambient temperature (operation)	-25 °C ... 60 °C
---------------------------------	------------------

Standards and regulations

Testing

Standards/regulations	PC: Fire protection in rail vehicles - requirement sets R22, R23, and R24 acc. to DIN EN 45545-2 (Risk level HL1 - HL3)
-----------------------	---

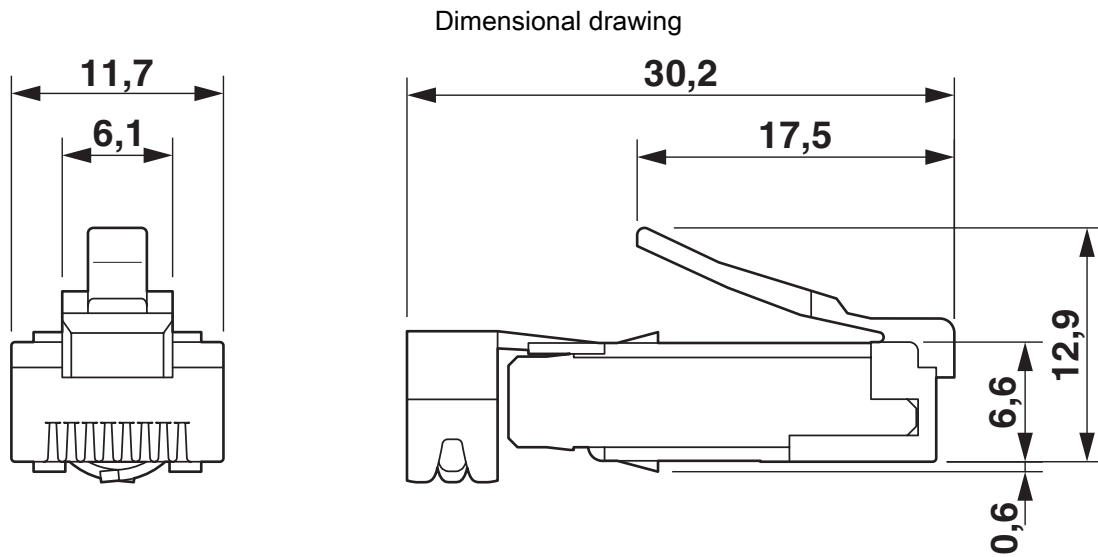
HC-Q-I-RJ45-08-M - Contact insert



1077117

<https://www.phoenixcontact.com/us/products/1077117>

Drawings



RJ45 male insert

HC-Q-I-RJ45-08-M - Contact insert



1077117

<https://www.phoenixcontact.com/us/products/1077117>

Classifications

ECLASS

ECLASS-13.0	27440205
ECLASS-15.0	27440205

ETIM

ETIM 10.0	EC000438
-----------	----------

UNSPSC

UNSPSC 21.0	39121500
-------------	----------

HC-Q-I-RJ45-08-M - Contact insert



1077117

<https://www.phoenixcontact.com/us/products/1077117>

Environmental product compliance

EU RoHS

Fulfills EU RoHS substance requirements	Yes, No exemptions
---	--------------------

China RoHS

Environment friendly use period (EFUP)	EFUP-E
	No hazardous substances above the limits

EU REACH SVHC

REACH candidate substance (CAS No.)	No substance above 0.1 wt%
-------------------------------------	----------------------------

Phoenix Contact 2026 © - all rights reserved
<https://www.phoenixcontact.com>

Phoenix Contact USA
586 Fulling Mill Road
Middletown, PA 17057, United States
(+717) 944-1300
info@phoenixcon.com