

G-INSEC-M16-S68L-NCRS-S - Cable gland



1077099

<https://www.phoenixcontact.com/us/products/1077099>

Please be informed that the data shown in this PDF document is generated from our online catalog. Please find the complete data in the user documentation. Our general terms of use for downloads are valid.



Cable gland, material for screw connection: Brass, nickel-plated, application: EMC, external cable diameter 5 mm ... 10 mm, shielding: yes, connecting thread: M16 x 1.5, color: silver-colored, with O-ring

Commercial data

Item number	1077099
Packing unit	10 pc
Minimum order quantity	10 pc
Sales key	BF68
Product key	AF7DBX
GTIN	4055626789217
Weight per piece (including packing)	27.6 g
Weight per piece (excluding packing)	22.22 g
Customs tariff number	85369010
Country of origin	TR

Technical data

Mounting

Assembly note	<p>Method 1 Cut the outer sheath, but do not remove it. Feed the cable through the screw connection and then remove the outer sheath. Now pull the cable back until the connection is established between the cable shield and the contact spring.</p> <p>Method 2 Push the braided shield back around 15 ... 20 mm over the outer sheath. Insert the cables into the screw connection until the connection is established between the cable shield and the contact spring.</p>
---------------	---

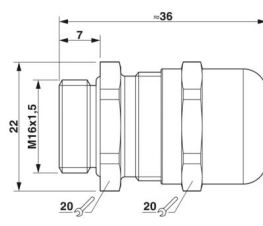
Product properties

Product type	Cable screw gland
Application	EMC
Manufacturer	BIMED
Manufacturer Designation	BMEM-E1
Shielded	yes
Execution of the strain relief	A

Characteristics

Category of shock impact	6
Cable diameter without cable sheath	4 mm (Diameter of braided shield)
Design, Strain relief	A

Dimensions

Dimensional drawing	
Length of the connecting thread	7 mm
Hole diameter	16.1 mm ... 16.2 mm
Wrench size, union nut	20 mm
Wrench size, support	20 mm
Clamping range of the strain relief clip	6.00 mm ... 10.00 mm (for UL 514 B)
Hexagon angular dimension	22 mm
Thread type connection side	M16 x 1.5
Thread pitch	1.5 mm

Connection data

	7 Nm (Union nut)
--	------------------

G-INSEC-M16-S68L-NCRS-S - Cable gland



1077099

<https://www.phoenixcontact.com/us/products/1077099>

Tightening torque	7 Nm (Support: EN 62444)
	8 Nm (for UL514 B: union nut)

Material specifications

Color	brass color
Material Compression ring	PA 6
Seal material O-ring	Perbunan
Seal material Cable seal	CR
Material for screw connection	Brass, nickel-plated

Cable/line

External cable diameter	5 mm ... 10 mm
	5 mm ... 10 mm (for UL 514 B)
Halogen-free	no

Environmental and real-life conditions

Ambient conditions

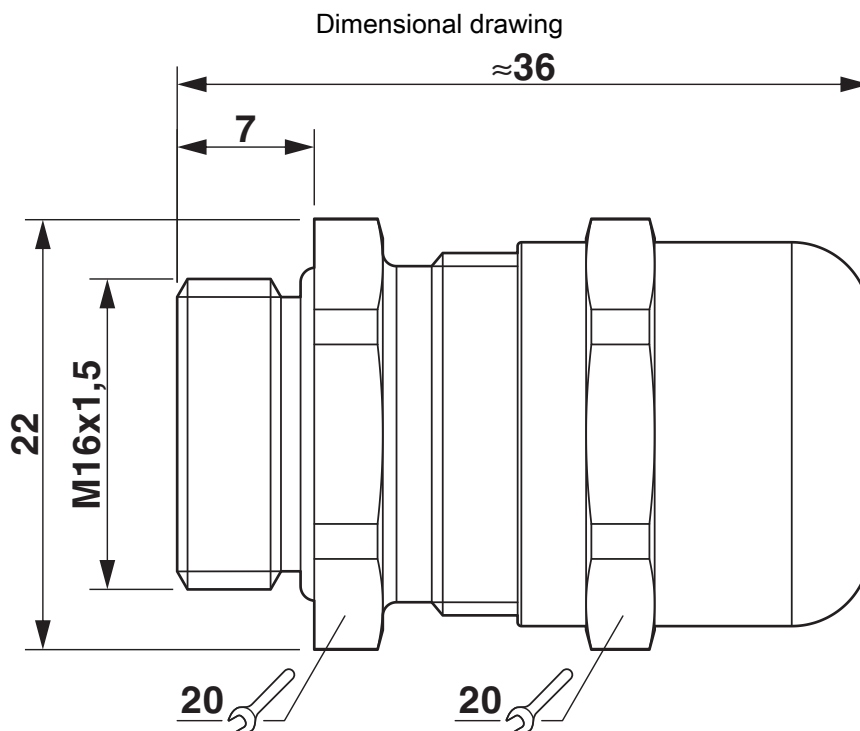
Degree of protection	IP68 (5 bar, 30 minutes)
Enclosure rating (NEMA)	4X
Ambient temperature (operation)	-40 °C ... 100 °C (static)

G-INSEC-M16-S68L-NCRS-S - Cable gland

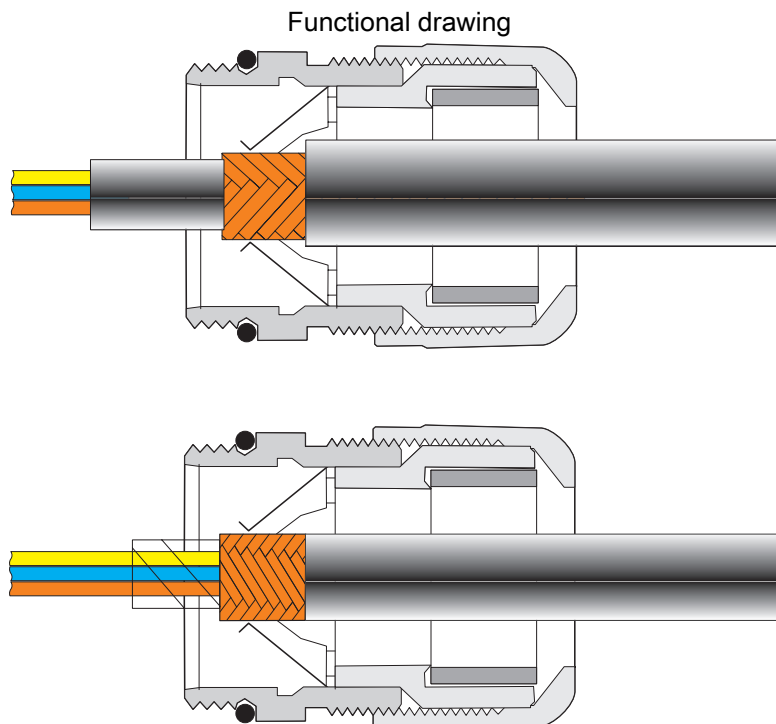
1077099

<https://www.phoenixcontact.com/us/products/1077099>

Drawings



Dimensional drawing



See assembly instruction

G-INSEC-M16-S68L-NCRS-S - Cable gland



1077099

<https://www.phoenixcontact.com/us/products/1077099>

Approvals

🔗 To download certificates, visit the product detail page: <https://www.phoenixcontact.com/us/products/1077099>

DNV

Approval ID: TAE00003WY



cUL Recognized

Approval ID: E199260



UL Recognized

Approval ID: E199260

G-INSEC-M16-S68L-NCRS-S - Cable gland



1077099

<https://www.phoenixcontact.com/us/products/1077099>

Classifications

ECLASS

ECLASS-13.0	27140801
ECLASS-15.0	27140801

ETIM

ETIM 10.0	EC000441
-----------	----------

UNSPSC

UNSPSC 21.0	39121300
-------------	----------

1077099

<https://www.phoenixcontact.com/us/products/1077099>

Environmental product compliance

EU RoHS

Fulfills EU RoHS substance requirements	Yes
Exemption	6(c)

China RoHS

Environment friendly use period (EFUP)	EFUP-50
	An article-related China RoHS declaration table can be found in the download area for the respective article under "Manufacturer declaration". For all articles with EFUP-E, no China RoHS declaration table issued and required.

EU REACH SVHC

REACH candidate substance (CAS No.)	Lead(CAS: 7439-92-1)
SCIP	c438d79a-7213-4acb-8ce9-f9e224805bb2

Phoenix Contact 2026 © - all rights reserved

<https://www.phoenixcontact.com>

Phoenix Contact USA
586 Fulling Mill Road
Middletown, PA 17057, United States
(+717) 944-1300
info@phoenixcon.com