

# QUINT4-CAP/24DC/20/16KJ/PN - DC UPS with integrated capacity



1076860

<https://www.phoenixcontact.com/us/products/1076860>

Please be informed that the data shown in this PDF document is generated from our online catalog. Please find the complete data in the user documentation. Our general terms of use for downloads are valid.



QUINT DC UPS with integrated capacitor, with maintenance-free energy storage based on double-layer capacitor, PROFINET, DIN rail mounting, input: 24 V DC, output: 24 V DC / 20 A / 16 kJ incl. mounted UTA 107 universal DIN rail adapter

## Product description

The QUINT CAP modules with integrated interface can be easily integrated into industrial networks. The DC UPS with integrated capacity prevents cyclic failures of up to several minutes and combines an electronic switchover unit and energy storage device in one housing.

## Your advantages

- Easy integration into industrial networks with freely selectable interface: USB/Modbus/RTU, PROFINET, EtherNet/IP™/Modbus/TCP, EtherCAT®
- Long service life with maintenance-free double-layer capacitors
- Reliable startup of difficult loads with static boost
- Comprehensive signaling: Preventive function monitoring reports critical operating states
- Extension of the buffer time with parallel connection of up to four devices

## Commercial data

Item number	1076860
Packing unit	1 pc
Minimum order quantity	1 pc
Sales key	CM21
Product key	CMUIC3
GTIN	4055626785622
Weight per piece (including packing)	3,423.8 g
Weight per piece (excluding packing)	2,856 g
Customs tariff number	85322900
Country of origin	CN

# QUINT4-CAP/24DC/20/16KJ/PN - DC UPS with integrated capacity



1076860

<https://www.phoenixcontact.com/us/products/1076860>

## Technical data

### Input data

#### DC operation

Input voltage	24 V DC (SELV)
Input voltage range	22.5 V DC ... 30 V DC
Fixed backup threshold	< 22 V DC
	> 30 V DC
Current consumption $I_N$ ( $U_N, I_{OUT} = I_N, I_{charge} = 0$ )	20 A
Current consumption $I_{max}$ ( $U_N, I_{OUT} = I_{Stat.Boost}, I_{Charge} = max$ )	30 A
Current consumption $I_{No-Load}$ ( $U_N, I_{OUT} = 0, I_{charge} = 0$ )	0.1 A (No-load)
Current consumption $I_{charge}$ ( $U_N, I_{OUT} = 0, I_{charge} = max$ )	10 A (charging process)
Power consumption $P_{max}$ ( $U_N, I_{OUT} = I_{Stat.Boost}, I_{charge} = max$ )	599 W
Power consumption $P_N$ ( $U_N, I_{OUT} = I_N, I_{charge} = 0$ )	488 W
Power consumption $P_{charge}$ ( $U_N, I_{OUT} = 0, I_{charge} = max$ )	244 W
Buffer time	4 min (2.5 A)
	30 s (20 A)
Charging time	approx. 6.3 min (2.5 A)
	approx. 2.1 min (10 A)
Recharging time	approx. 5.4 min (2.5 A)
	approx. 1.4 min (10 A)
Inrush current	$\leq 7$ A ( $\leq 4$ ms)
Switch-on time	1 ms (buffer mode)
Internal input fuse	no
Dielectric strength	max. 35 V DC (Reverse polarity protection)
Voltage drop, input/output	0.5 V DC

### Output data

Efficiency	> 98 % (with charged energy storage device)
Connection in parallel	yes
	max. 4
Connection in series	no

#### Mains operation

Output voltage	24 V DC
Output current $I_N$	20 A
Static Boost ( $I_{Stat.Boost}$ )	25 A
Output power $P_{OUT}$ ( $U_N, I_{OUT} = I_N$ )	480 W
Output power $P_{OUT}$ ( $U_N, I_{OUT} = I_{stat.Boost}$ )	600 W
Power dissipation No load ( $U_N, I_{Out} = 0, I_{Charge} = 0$ )	5 W
Power dissipation Nominal load ( $U_N, I_{Out} = I_N, I_{Charge} = 0$ )	10 W
Short-circuit-proof	yes (with input fuse)

# QUINT4-CAP/24DC/20/16KJ/PN - DC UPS with integrated capacity



1076860

<https://www.phoenixcontact.com/us/products/1076860>

Idling-proof	yes
<b>Battery operation</b>	
Output voltage	24 V DC
Output current $I_N$	20 A
Static Boost ( $I_{Stat.Boost}$ )	25 A
Output power $P_{OUT}$ ( $U_N, I_{OUT} = I_N$ )	480 W
Output power $P_{OUT}$ ( $U_N, I_{OUT} = I_{stat.Boost}$ )	600 W
Power dissipation No load ( $U_N, I_{OUT} = 0, I_{Charge} = 0$ )	5 W
Power dissipation Nominal load ( $U_N, I_{OUT} = I_N, I_{Charge} = 0$ )	90 W
Short-circuit-proof	yes
Idling-proof	yes

## Energy storage

### General

Capacity	16 kJ
Storage medium	Double-layer capacitor
Buffer time	4 min (2.5 A)
	30 s (20 A)

## Connection data

### Input

Position	1.x
----------	-----

### Connection technology

Position marking	1.1 (+), 1.2 (+), 1.3 (-), 1.4 (-)
------------------	------------------------------------

### Conductor connection

Connection method	Screw connection
rigid	0.2 mm <sup>2</sup> ... 6 mm <sup>2</sup>
flexible	0.2 mm <sup>2</sup> ... 4 mm <sup>2</sup>
flexible with ferrule without plastic sleeve	0.25 mm <sup>2</sup> ... 4 mm <sup>2</sup>
flexible with ferrule with plastic sleeve	0.25 mm <sup>2</sup> ... 4 mm <sup>2</sup>
rigid (AWG)	24 ... 10
Stripping length	8 mm
Tightening torque	0.5 Nm ... 0.6 Nm
Drive form screw head	Slotted L

### 2-conductor connection

rigid	0.2 mm <sup>2</sup> ... 1.5 mm <sup>2</sup>
flexible	0.2 mm <sup>2</sup> ... 1.5 mm <sup>2</sup>
flexible with TWIN ferrule with plastic sleeve	0.5 mm <sup>2</sup> ... 2.5 mm <sup>2</sup>

### Output

# QUINT4-CAP/24DC/20/16KJ/PN - DC UPS with integrated capacity



1076860

<https://www.phoenixcontact.com/us/products/1076860>

Position	2.x
----------	-----

## Connection technology

Position marking	2.1 (+), 2.2 (-)
------------------	------------------

## Conductor connection

Connection method	Screw connection
rigid	0.2 mm <sup>2</sup> ... 6 mm <sup>2</sup>
flexible	0.2 mm <sup>2</sup> ... 4 mm <sup>2</sup>
flexible with ferrule without plastic sleeve	0.25 mm <sup>2</sup> ... 4 mm <sup>2</sup>
flexible with ferrule with plastic sleeve	0.25 mm <sup>2</sup> ... 4 mm <sup>2</sup>
rigid (AWG)	24 ... 10
Stripping length	8 mm
Tightening torque	0.5 Nm ... 0.6 Nm
Drive form screw head	Slotted L

## 2-conductor connection

rigid	0.2 mm <sup>2</sup> ... 1.5 mm <sup>2</sup>
flexible	0.2 mm <sup>2</sup> ... 1.5 mm <sup>2</sup>
flexible with TWIN ferrule with plastic sleeve	0.5 mm <sup>2</sup> ... 2.5 mm <sup>2</sup>

## Signal

Position	3.x
----------	-----

## Connection technology

Position marking	3.1 (13), 3.2 (14), 3.3 (Alarm), 3.4 (Ready), 3.5 (Remote), 3.6 (Parallel Port), 3.7 (SGnd)
------------------	---

## Conductor connection

Connection method	Push-in connection
rigid	0.2 mm <sup>2</sup> ... 1 mm <sup>2</sup>
flexible	0.2 mm <sup>2</sup> ... 1.5 mm <sup>2</sup>
flexible with ferrule without plastic sleeve	0.2 mm <sup>2</sup> ... 1 mm <sup>2</sup>
flexible with ferrule with plastic sleeve	0.2 mm <sup>2</sup> ... 0.75 mm <sup>2</sup>
rigid (AWG)	24 ... 18
Stripping length	8 mm

## Interfaces

Interface	PROFINET
Number of interfaces	2
Connection method	RJ45
Position	5.x
Supported protocols	PROFINET
Locking	Locking clip
Transmission physics	Twisted-Pair
	Autonegotiation

# QUINT4-CAP/24DC/20/16KJ/PN - DC UPS with integrated capacity



1076860

<https://www.phoenixcontact.com/us/products/1076860>

Features	Autocrossing
	Autopolarity
	Half- or full-duplex
Topology	Star
	Line
Transmission speed	100 Mbps
Transmission length	max. 100 m
Cycle time	1 ms (RT)
Access time	≤ 2 s
Standards	IEEE 802.3
	IEC 61158
	IEC 61784-2
Chipset	Renesas TPS-1
Electrical isolation	yes

## Signaling

### Signal state Remote

Connection labeling	3.5
Channel	DI (digital input)
State (configurable)	Remote
State condition	Remote
Low signal	Connection to SGnd with < 3 kΩ
High signal	Open
Signal - state assignment	low - active
Reference potential	3.7 (SGnd, identical to 1.3, 1.4, 2.2)

### Signal state Parallel port

Connection labeling	3.6
Channel	DI / DO (digital input / digital output)
Switching input description	Connection terminal block communication, parallel operation
State (configurable)	Parallel Mode
State condition (configurable)	Not active: none Active: Output: buffer mode <1 V Output: mains operation 24 V (U <sub>N</sub> -1 V (typical)) Input: Connected with SGnd: start buffer mode
Switching voltage	< 1 V
	24 V (U <sub>N</sub> - 1 V (typical))
Current carrying capacity	3 mA
Reference potential	Different device, parallel port IN/OUT

### Signal state Alarm

Connection labeling	3.3
Channel	DO (digital output)

# QUINT4-CAP/24DC/20/16KJ/PN - DC UPS with integrated capacity



1076860

<https://www.phoenixcontact.com/us/products/1076860>

Switching output	Transistor
State (configurable)	Group alarm
State condition (configurable)	Alarm threshold
Output voltage	25 V ( $U_N - 1$ V (typical))
Output can be loaded	max. 20 mA
State - signal assignment	active - low
Reference potential	3.7 (SGnd, identical to 1.3, 1.4, 2.2)
LED status indicator	red (Alarm)

## Signal state UIN OK

Connection labeling	3.1, 3.2
Channel	DO (digital output)
Switching output	Electronic relays (OptoMOS)
State (configurable)	$U_{in}$ OK
State condition (configurable)	$U_{in} > 22,5$ V DC, $U_{in} < 30$ V DC
Output voltage	max. 30 V
Output can be loaded	300 mA
State - signal assignment	active - high
LED status indicator	green ( $U_{in}$ OK)

## Signal state Ready

Connection labeling	3.4
Channel	DO (digital output)
Switching output	Transistor
State (configurable)	Ready
State condition (configurable)	State of charge = 100% or buffer mode
Output voltage	25 V ( $U_N - 1$ V (typical))
Output can be loaded	max. 20 mA
State - signal assignment	active - high
Reference potential	3.7 (SGnd, identical to 1.3, 1.4, 2.2)
LED status indicator	Green (state of charge - SOC)

## Signal ground SGnd

Connection labeling	3.7
Switching voltage	0 V
Current carrying capacity	max. 60 mA
Function	Signal ground
Reference potential	3.3 Alarm, 3.4 Ready, 3.5 Remote

## Electrical properties

Insulation voltage input, output / housing	500 V
--	-------

## Product properties

Product type	DC UPS with integrated capacitor
--------------	----------------------------------

# QUINT4-CAP/24DC/20/16KJ/PN - DC UPS with integrated capacity



1076860

<https://www.phoenixcontact.com/us/products/1076860>

Product family	QUINT DC UPS with integrated capacitor
MTBF (IEC 61709, SN 29500)	1351036 h (25 °C)
	903325 h (40 °C)
	470143 h (60 °C)

## Insulation characteristics

Protection class	III (Special application (SELV))
Overvoltage category (UL 60950-1)	II ( $\leq 4000$ m)
Overvoltage category (EN 61010-1)	II ( $\leq 4000$ m)
Overvoltage category (EN 61010-2-201)	II ( $\leq 4000$ m)
Degree of pollution	2

## Dimensions

### Item dimensions

Width	244 mm
Height	130 mm
Depth	125 mm

### Installation dimensions

Installation distance right/left	0 mm / 0 mm
Installation distance top/bottom	50 mm / 50 mm

## Mounting

Mounting type	DIN rail mounting
Mounting position	horizontal DIN rail NS 35, EN 60715

## Material specifications

Flammability rating according to UL 94 (housing / terminal blocks)	V0
Housing material	Metal

## Environmental and real-life conditions

### Ambient conditions

Degree of protection	IP20
Ambient temperature (operation)	-25 °C ... 60 °C (> 40 °C Derating: 1 %/K)
Ambient temperature (storage/transport)	-40 °C ... 60 °C
Ambient temperature (start-up type tested)	-40 °C
Maximum altitude	$\leq 4000$ m
Climatic class	3K3 (in acc. with EN 60721)
Max. permissible relative humidity (operation)	$\leq 95$ %
Shock	30g, 18 ms per spatial direction (in accordance with IEC 60068-2-27)
Vibration (operation)	0,7g

# QUINT4-CAP/24DC/20/16KJ/PN - DC UPS with integrated capacity



1076860

<https://www.phoenixcontact.com/us/products/1076860>

## Standards and regulations

### Protective extra-low voltage

Standard designation	Protective extra-low voltage
Standards/specifications	IEC 61010-1 (SELV)
	IEC 61010-2-201 (PELV)

## Approvals

### UL

Identification	UL 61010-1
----------------	------------

### UL

Identification	UL 61010-2-201
----------------	----------------

### UL

Identification	UL ANSI/ISA-12.12.01 Class I, Division 2, Groups A, B, C, D (Hazardous Location)
----------------	--

### UL

Identification	UL 121201
----------------	-----------

### UL

Identification	CAN/CSA-C22.2 No. 61010-1-12
----------------	------------------------------

### UL

Identification	CAN/CSA C22.2 No. 61010-2-201:14
----------------	----------------------------------

### UL

Identification	CSA C22.2 No. 213-17 Class I, Devsion 2, Groups A, B, C, D (Hazardous Location)
----------------	---

### CB scheme

Identification	IEC 61010-1
	IEC 61010-2-201
	EN 61010-1
	EN 61010-2-201

## EMC data

Electromagnetic compatibility	Conformance with EMC Directive 2014/30/EU
Interference emission	Noise emission in accordance with EN 61000-6-3 and EN 61000-6-4
Noise immunity	Device immunity in accordance with EN 61000-6-2

### Electrostatic discharge

Standards/regulations	EN 61000-4-2
-----------------------	--------------

### Electrostatic discharge

# QUINT4-CAP/24DC/20/16KJ/PN - DC UPS with integrated capacity



1076860

<https://www.phoenixcontact.com/us/products/1076860>

Contact discharge	4 kV (Test Level 2)
Discharge in air	8 kV (Test Level 3)
Comments	Criterion B

## Electromagnetic HF field

Standards/regulations	EN 61000-4-3
-----------------------	--------------

## Electromagnetic HF field

Frequency range	80 MHz ... 1 GHz
Test field strength	10 V/m
Comments	Criterion A

## Fast transients (burst)

Standards/regulations	EN 61000-4-4
-----------------------	--------------

## Fast transients (burst)

Input	2 kV (Test Level 3 - asymmetrical)
Output	2 kV (Test Level 3 - asymmetrical)
Signal	2 kV (Test Level 3 - asymmetrical)
Comments	Criterion B

## Surge voltage load (surge)

Standards/regulations	EN 61000-4-5
-----------------------	--------------

## Surge voltage load (surge)

Signal	1 kV (Test Level 2 - asymmetrical)
Comments	Criterion B
Input/Output	1 kV (Test Level 2 - symmetrical) 2 kV (Test Level 3 - asymmetrical)

## Conducted interference

Standards/regulations	EN 61000-4-6
-----------------------	--------------

## Conducted interference

Frequency range	0.15 MHz ... 80 MHz
Comments	Criterion A
Voltage	10 V

## Criteria

Criterion A	Normal operating behavior within the specified limits.
Criterion B	Temporary impairment to operational behavior that is corrected by the device itself.

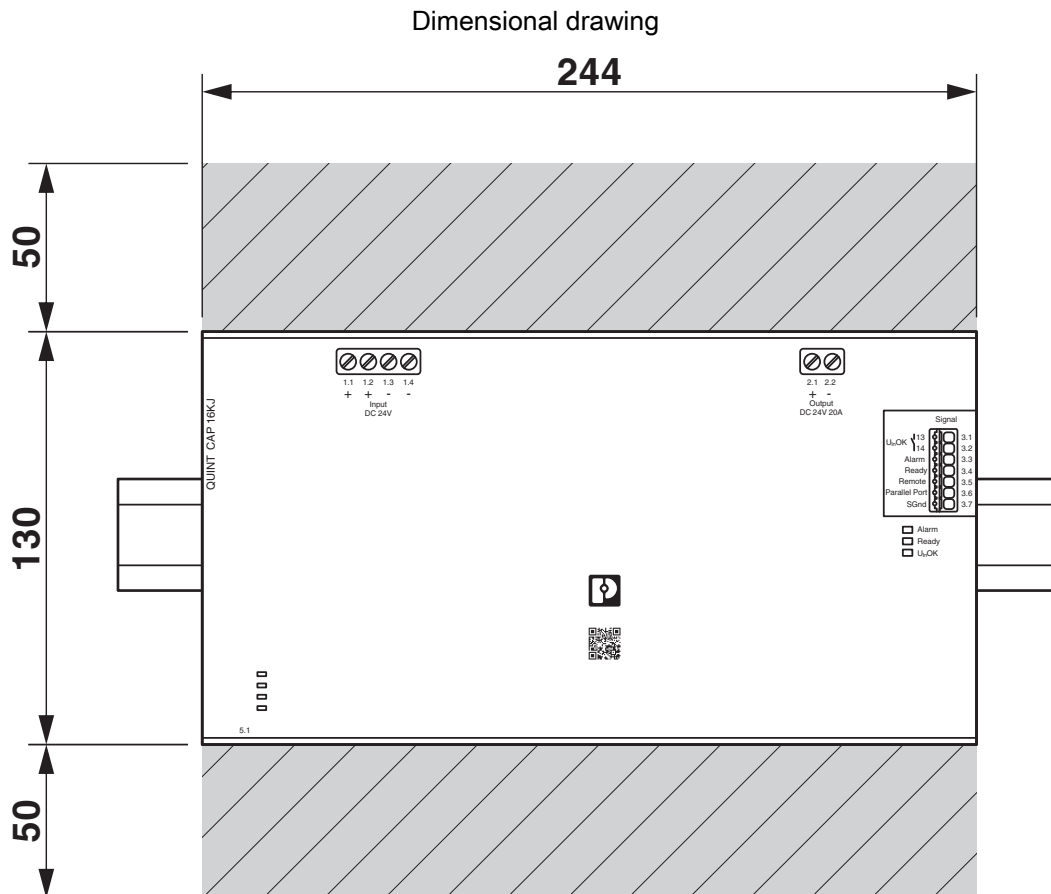
# QUINT4-CAP/24DC/20/16KJ/PN - DC UPS with integrated capacity



1076860

<https://www.phoenixcontact.com/us/products/1076860>

## Drawings



Device dimensions (dimensions in mm)

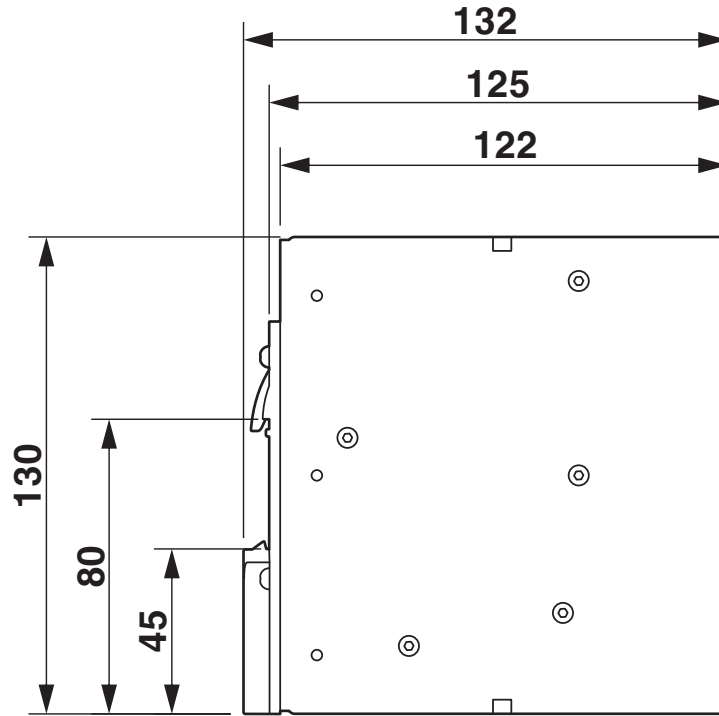
# QUINT4-CAP/24DC/20/16KJ/PN - DC UPS with integrated capacity



1076860

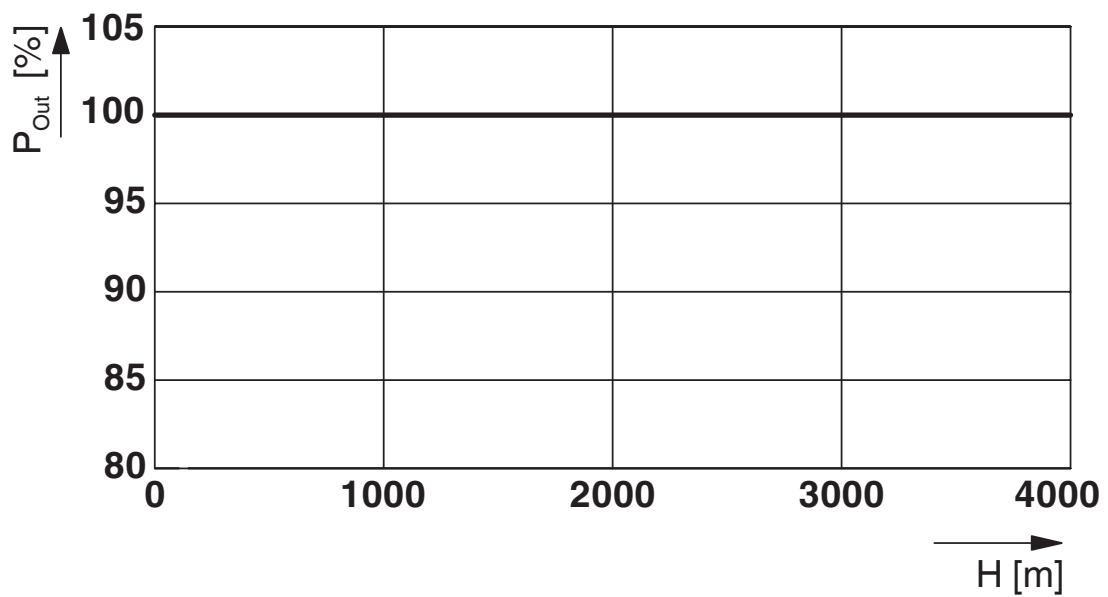
<https://www.phoenixcontact.com/us/products/1076860>

Dimensional drawing



Device dimensions (dimensions in mm)

Diagram



Output power/installation altitude

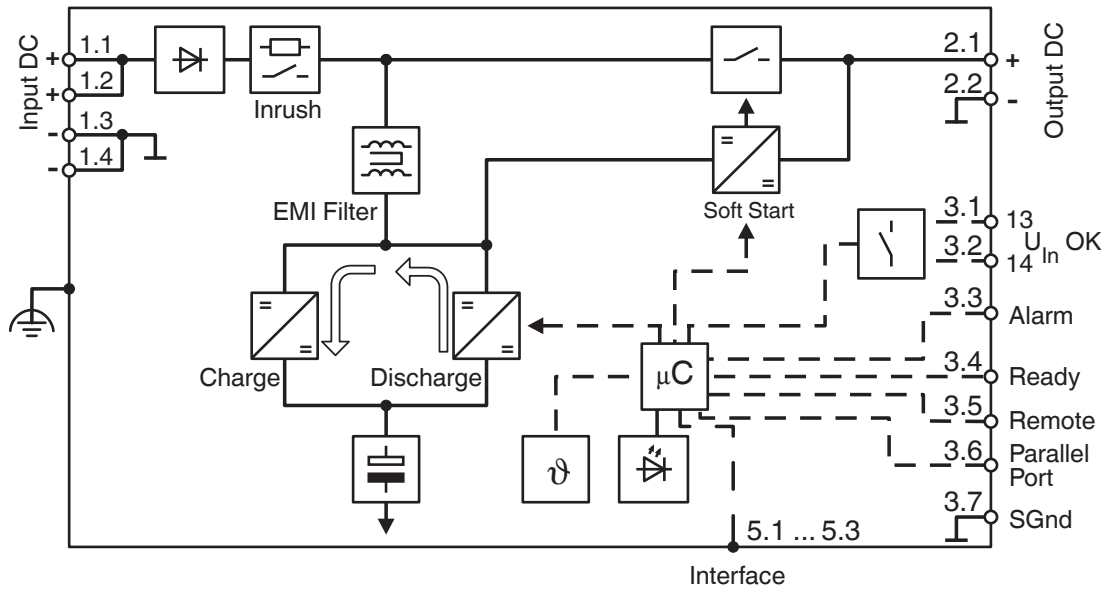
# QUINT4-CAP/24DC/20/16KJ/PN - DC UPS with integrated capacity



1076860

<https://www.phoenixcontact.com/us/products/1076860>

Block diagram



Block diagram

Graphic

Load Current	Buffertime																
	Seconds						Minutes										
	9	10	15	20	30	40	50	1	2	3	5	10	20	30	40	50	60
0.05 A	█	█	█	█	█	█	█	█	█	█	█	█	█	█	█	█	█
0.50 A	█	█	█	█	█	█	█	█	█	█	█	█	█	█	█	█	█
1.00 A	█	█	█	█	█	█	█	█	█	█	█	█	█	█	█	█	█
2.00 A	█	█	█	█	█	█	█	█	█	█	█	█	█	█	█	█	█
2.50 A	█	█	█	█	█	█	█	█	█	█	█	█	█	█	█	█	█
3.80 A	█	█	█	█	█	█	█	█	█	█	█	█	█	█	█	█	█
5.00 A	█	█	█	█	█	█	█	█	█	█	█	█	█	█	█	█	█
6.25 A	█	█	█	█	█	█	█	█	█	█	█	█	█	█	█	█	█
7.50 A	█	█	█	█	█	█	█	█	█	█	█	█	█	█	█	█	█
10.0 A	█	█	█	█	█	█	█	█	█	█	█	█	█	█	█	█	█
12.5 A	█	█	█	█	█	█	█	█	█	█	█	█	█	█	█	█	█
15.0 A	█	█	█	█	█	█	█	█	█	█	█	█	█	█	█	█	█
20.0 A	█	█	█	█	█	█	█	█	█	█	█	█	█	█	█	█	█
25.0 A	█	█	█	█	█	█	█	█	█	█	█	█	█	█	█	█	█

The data is based on an ambient temperature of +25 °C.

- 2320526 QUINT4-CAP/24DC/3.8/1KJ/PT
- 2320571 QUINT4-CAP/24DC/10/8KJ/PT
- 2320539 QUINT4-CAP/24DC/5/4KJ/PT
- QUINT4-CAP/24DC/20/16KJ/...

QUINT CAP buffer times

# QUINT4-CAP/24DC/20/16KJ/PN - DC UPS with integrated capacity



1076860

<https://www.phoenixcontact.com/us/products/1076860>

## Approvals

To download certificates, visit the product detail page: <https://www.phoenixcontact.com/us/products/1076860>



**EAC**

Approval ID: D-DE.GB09.V.00570/20



**EAC**

Approval ID: RU\*DE\*HB54.B05799/20



**IECEE CB Scheme**

Approval ID: DK-89905-A1-UL



**IECEE CB Scheme**

Approval ID: DE/PTZ/0074



**cULus Listed**

Approval ID: 20191104-E123528



**cUL Listed**

Approval ID: E199827



**UL Listed**

Approval ID: E199827

# QUINT4-CAP/24DC/20/16KJ/PN - DC UPS with integrated capacity



1076860

<https://www.phoenixcontact.com/us/products/1076860>

## Classifications

### ECLASS

ECLASS-13.0	27040705
ECLASS-15.0	27040705

### ETIM

ETIM 10.0	EC000382
-----------	----------

### UNSPSC

UNSPSC 21.0	26111700
-------------	----------

# QUINT4-CAP/24DC/20/16KJ/PN - DC UPS with integrated capacity



1076860

<https://www.phoenixcontact.com/us/products/1076860>

## Environmental product compliance

### EU RoHS

Fulfills EU RoHS substance requirements	Yes
Exemption	6(c), 7(a), 7(c)-I

### China RoHS

Environment friendly use period (EFUP)	EFUP-25
	An article-related China RoHS declaration table can be found in the download area for the respective article under "Manufacturer declaration". For all articles with EFUP-E, no China RoHS declaration table issued and required.

### EU REACH SVHC

REACH candidate substance (CAS No.)	Diboron trioxide(CAS: 1303-86-2)
	Lead monoxide (lead oxide)(CAS: 1317-36-8)
	Lead(CAS: 7439-92-1)
SCIP	822dea75-01ad-42a1-b2e3-8006866a6f18

### EF3.1 Climate Change

CO2e kg	70.88 kg CO2e
---------	---------------

Phoenix Contact 2026 © - all rights reserved  
<https://www.phoenixcontact.com>

Phoenix Contact USA  
586 Fulling Mill Road  
Middletown, PA 17057, United States  
(+717) 944-1300  
[info@phoenixcon.com](mailto:info@phoenixcon.com)