

G-CCS-M25-M66N-PNES-BK - Cable gland



1076600

<https://www.phoenixcontact.com/us/products/1076600>

Please be informed that the data shown in this PDF document is generated from our online catalog. Please find the complete data in the user documentation. Our general terms of use for downloads are valid.



Plastic cable gland with slotted seal, for connector with pre-wired cable, IP66, M25 connection thread, clear width: 18.2 mm, outer cable diameter; 3 mm ... 6 mm

Your advantages

- Plastic material conforms to UL 746C f1

Commercial data

Item number	1076600
Packing unit	10 pc
Minimum order quantity	10 pc
Sales key	BF68
Product key	AF7DCX
GTIN	4055626785004
Weight per piece (including packing)	26.82 g
Weight per piece (excluding packing)	26.82 g
Customs tariff number	39269097
Country of origin	TR

G-CCS-M25-M66N-PNES-BK - Cable gland



1076600

<https://www.phoenixcontact.com/us/products/1076600>

Technical data

Mounting

Assembly note	1) Mount screw connection support in the housing using the correct torque 2) Insert cable 3) Tighten union nut using the correct torque
	Clear width 18.2 mm

Product properties

Product type	Cable screw gland
Application	Standard
No. of conductors	1
Manufacturer	BIMED
Manufacturer Designation	BMRJ-26
Shielded	no

Dimensions

Dimensional drawing	
Length	47 mm
Length of the connecting thread	10 mm
Hole diameter	25.1 mm ... 25.2 mm
Wrench size, union nut	33 mm
Wrench size, support	33 mm
Hexagon angular dimension	37.4 mm
Thread type connection side	M25 x 1.5
Thread pitch	1.5 mm

Connection data

Tightening torque	5 Nm ... 7.5 Nm (Union nut: EN 62444)
	3.5 Nm (Support: EN 62444)

Material specifications

Flammability rating according to UL 94	V2
Seal material Cable seal	CR
Material for screw connection	PA

Cable/line

External cable diameter Cable 1	3 mm ... 6 mm
---------------------------------	---------------

G-CCS-M25-M66N-PNES-BK - Cable gland



1076600

<https://www.phoenixcontact.com/us/products/1076600>

Environmental and real-life conditions

Ambient conditions

Degree of protection	IP66
	IP68
	IP69
Ambient temperature (operation)	-20 °C ... 100 °C (static)

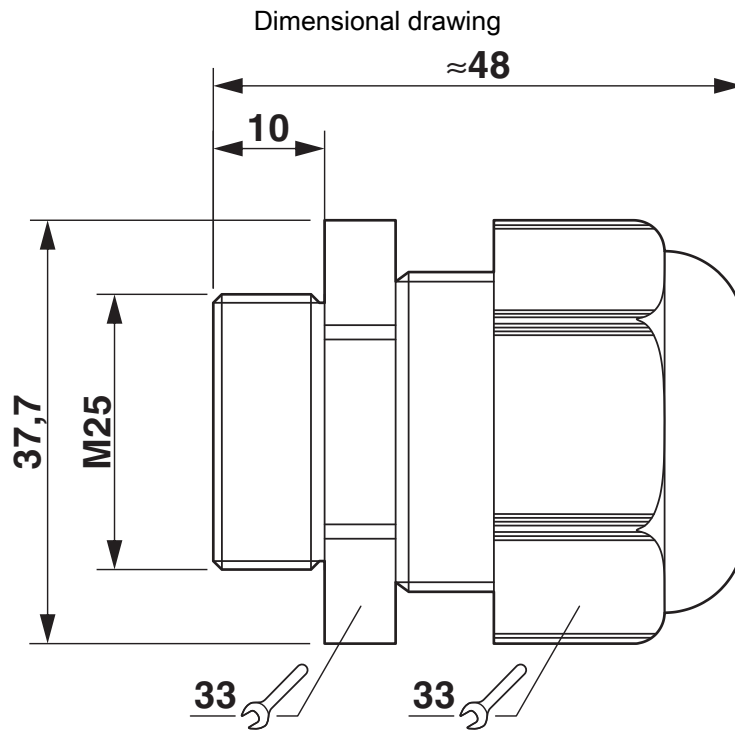
G-CCS-M25-M66N-PNES-BK - Cable gland



1076600

<https://www.phoenixcontact.com/us/products/1076600>

Drawings



Dimensional drawing

G-CCS-M25-M66N-PNES-BK - Cable gland



1076600

<https://www.phoenixcontact.com/us/products/1076600>

Classifications

ECLASS

ECLASS-13.0	27140801
ECLASS-15.0	27140801

ETIM

ETIM 10.0	EC000441
-----------	----------

UNSPSC

UNSPSC 21.0	39121300
-------------	----------

G-CCS-M25-M66N-PNES-BK - Cable gland



1076600

<https://www.phoenixcontact.com/us/products/1076600>

Environmental product compliance

EU RoHS

Fulfills EU RoHS substance requirements	Yes, No exemptions
---	--------------------

China RoHS

Environment friendly use period (EFUP)	EFUP-E
	No hazardous substances above the limits

EU REACH SVHC

REACH candidate substance (CAS No.)	No substance above 0.1 wt%
-------------------------------------	----------------------------

EF3.1 Climate Change

CO2e kg	0.235 kg CO2e
---------	---------------

Phoenix Contact 2026 © - all rights reserved
<https://www.phoenixcontact.com>

Phoenix Contact USA
586 Fulling Mill Road
Middletown, PA 17057, United States
(+717) 944-1300
info@phoenixcon.com