

# VAL-SEC-T2-4+0-440-FM - Type 2 surge arrester



1076468

<https://www.phoenixcontact.com/us/products/1076468>

Please be informed that the data shown in this PDF document is generated from our online catalog. Please find the complete data in the user documentation. Our general terms of use for downloads are valid.



Plug-in surge arrester, in accordance with Type 2/Class II, for 3-phase power supply networks with separate N and PE (5-conductor system: L1, L2, L3, N, PE), with remote indication contact.

## Commercial data

Item number	1076468
Packing unit	1 pc
Minimum order quantity	1 pc
Sales key	CL01
Product key	CL1351
GTIN	4055626784809
Weight per piece (including packing)	430.6 g
Weight per piece (excluding packing)	404.74 g
Customs tariff number	85363090
Country of origin	DE

# VAL-SEC-T2-4+0-440-FM - Type 2 surge arrester



1076468

<https://www.phoenixcontact.com/us/products/1076468>

## Technical data

### Notes

#### General

Note	Usable in all low-voltage systems between L-N or L-PEN. Only usable in IT Systems between L-PE and N-PE, if the exposed-conductive-parts (bodies) of the equipment of the low-voltage installation is connected to the earthing arrangement of the transformer substation. (interconnected earthing arrangement of the HV-transformer substation with the bodies of the LV-installation. RE = RA accordance to IEC 60364-4-442 / VDE 0100-442 Fig. 44D / Example a)
------	---

### Product properties

Product type	Surge arrester
Product family	SEC Family
IEC test classification	II T2
EN type	T2
IEC power supply system	TN-S IT
Type	DIN rail module, two-section, divisible
Number of positions	4
Surge protection fault message	Optical, remote indicator contact
Number of ports	One

#### Insulation characteristics

Overvoltage category	III
Pollution degree	2

### Electrical properties

Nominal frequency $f_N$	50 Hz (60 Hz)
-------------------------	---------------

#### Indicator/remote signaling

Connection name	Remote fault indicator contact
Switching function	Changeover contact
Operating voltage	5 V AC ... 250 V AC 125 V DC (200 mA DC)
Operating current	5 mA AC ... 1 A AC 1 A DC (30 V DC)

### Connection data

Connection method	Screw connection
Screw thread	M5
Tightening torque	4.5 Nm
Stripping length	16 mm

# VAL-SEC-T2-4+0-440-FM - Type 2 surge arrester

1076468

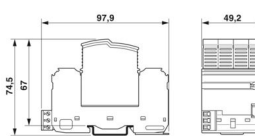
<https://www.phoenixcontact.com/us/products/1076468>

Conductor cross-section flexible	2.5 mm <sup>2</sup> ... 16 mm <sup>2</sup>
Conductor cross-section rigid	2.5 mm <sup>2</sup> ... 25 mm <sup>2</sup>
Conductor cross-section AWG	12 ... 4
Connection method	Fork-type cable lug
Conductor cross-section flexible	1.5 mm <sup>2</sup> ... 6 mm <sup>2</sup>

## Remote fault indicator contact

Connection method	Plug-in/screw connection via COMBICON
Screw thread	M2
Tightening torque	0.25 Nm
Stripping length	7 mm
Conductor cross-section flexible	0.14 mm <sup>2</sup> ... 1.5 mm <sup>2</sup>
Conductor cross-section rigid	0.14 mm <sup>2</sup> ... 1.5 mm <sup>2</sup>
Conductor cross-section AWG	28 ... 16

## Dimensions

Dimensional drawing	
Width	49.2 mm
Height	97.9 mm
Depth	74.5 mm (incl. DIN rail 7.5 mm)
Horizontal pitch	2.7 Div.

## Material specifications

Color (Male connector)	light gray (RAL 7035)
Color (Base element)	gray (RAL 7042)
Flammability rating according to UL 94	V-0
CTI value of material	600
Insulating material	PA6.6-FR 20% GF PBT-FR
Material group	I
Housing material	PA 6.6-FR 20 % GF PBT-FR

## Protective circuit

Mode of protection	L-N L-PE N-PE
Direction of action	3L-N/PE
Nominal voltage $U_N$	400/690 V AC (TN-S) 400 V AC (IT)

# VAL-SEC-T2-4+0-440-FM - Type 2 surge arrester



1076468

<https://www.phoenixcontact.com/us/products/1076468>

Nominal frequency $f_N$	50 Hz (60 Hz)
Maximum continuous operating voltage $U_C$	440 V AC
Rated load current $I_L$	40 A (Biconnect M4 fork-type cable lug 6 mm <sup>2</sup> )
	63 A (TWIN ferrule 2 x 10 mm <sup>2</sup> )
Standby power consumption $P_C$	≤ 720 mVA
Nominal discharge current $I_n$ (8/20) μs	20 kA
Maximum discharge current $I_{max}$ (8/20) μs	40 kA
Short-circuit current rating $I_{SCCR}$	25 kA (for a backup fuse of up to 315 A gG)
	50 kA (for a backup fuse of up to 200 A gG)
Voltage protection level $U_p$ (L-N)	≤ 4 kV
Voltage protection level $U_p$ (L-PE)	≤ 1.9 kV
Voltage protection level $U_p$ (N-PE)	≤ 1.9 kV
Residual voltage $U_{res}$ (L-N)	≤ 4 kV (at $I_n$ )
	≤ 3.5 kV (at 10 kA)
	≤ 3.2 kV (at 5 kA)
	≤ 3.1 kV (at 4 kA)
	≤ 2.85 kV (at 2 kA)
Residual voltage $U_{res}$ (L-PE)	≤ 1.9 kV (at $I_n$ )
	≤ 1.65 kV (at 10 kA)
	≤ 1.5 kV (at 5 kA)
	≤ 1.45 kV (at 4 kA)
	≤ 1.35 kV (at 2 kA)
Residual voltage $U_{res}$ (N-PE)	≤ 1.9 kV (at $I_n$ )
	≤ 1.65 kV (at 10 kA)
	≤ 1.5 kV (at 5 kA)
	≤ 1.45 kV (at 4 kA)
	≤ 1.35 kV (at 2 kA)
TOV behavior at $U_T$	581 V AC (5 s / withstand mode)
	762 V AC (120 min / safe failure mode)
Response time $t_A$	≤ 25 ns
Max. backup fuse with V-type through wiring	40 A (gG / Biconnect M4 fork-type cable lug, 6 mm <sup>2</sup> )
	63 A (gG / TWIN ferrule 2x 10mm <sup>2</sup> )
Max. backup fuse with branch wiring	315 A (gG)

## Environmental and real-life conditions

### Ambient conditions

Degree of protection	IP20
Ambient temperature (operation)	-40 °C ... 80 °C
Ambient temperature (storage/transport)	-40 °C ... 80 °C
Altitude	≤ 2000 m (amsl)
Permissible humidity (operation)	5 % ... 95 %
Shock (operation)	30g (Half-sine / 11 ms / 3x ±X, ±Y, ±Z)
Vibration (operation)	5g (10 ... 500 Hz / 2.5 h / X, Y, Z)

# VAL-SEC-T2-4+0-440-FM - Type 2 surge arrester



1076468

<https://www.phoenixcontact.com/us/products/1076468>

## Standards and regulations

Standards/specifications	IEC 61643-11
Note	2011

### EN 61643-11

Standards/specifications	EN 61643-11
Note	2012

## Mounting

Mounting type	DIN rail: 35 mm
---------------	-----------------

# VAL-SEC-T2-4+0-440-FM - Type 2 surge arrester

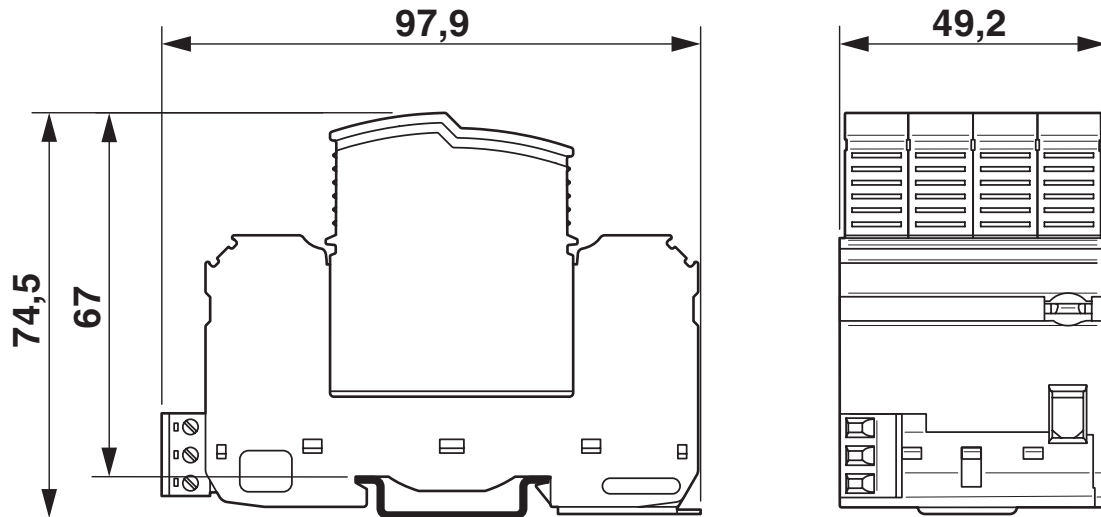


1076468

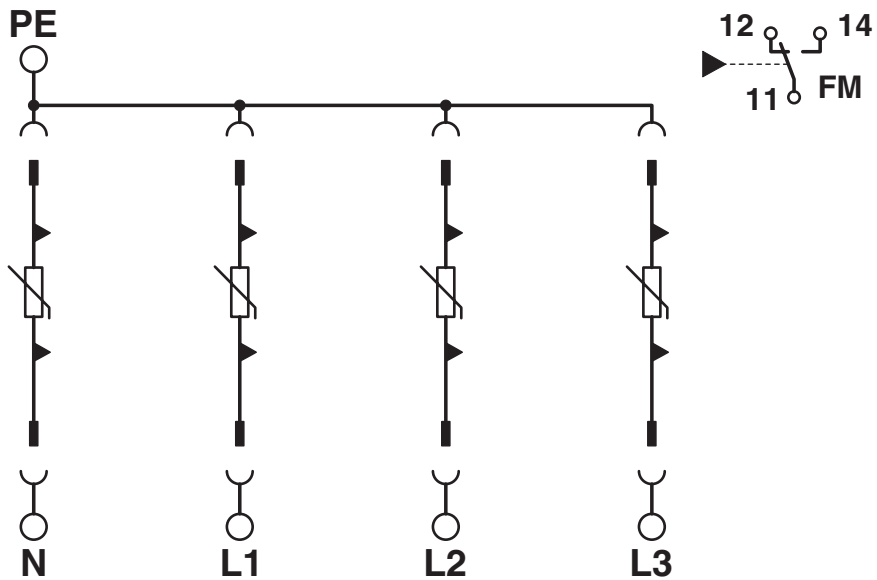
<https://www.phoenixcontact.com/us/products/1076468>

## Drawings

Dimensional drawing



Circuit diagram



# VAL-SEC-T2-4+0-440-FM - Type 2 surge arrester



1076468

<https://www.phoenixcontact.com/us/products/1076468>

## Approvals

To download certificates, visit the product detail page: <https://www.phoenixcontact.com/us/products/1076468>

### UAE-RoHS

Approval ID: 23-10-88707

# VAL-SEC-T2-4+0-440-FM - Type 2 surge arrester



1076468

<https://www.phoenixcontact.com/us/products/1076468>

## Classifications

### ECLASS

ECLASS-13.0	27171202
ECLASS-15.0	27171202

### ETIM

ETIM 10.0	EC000941
-----------	----------

### UNSPSC

UNSPSC 21.0	39121600
-------------	----------

# VAL-SEC-T2-4+0-440-FM - Type 2 surge arrester



1076468

<https://www.phoenixcontact.com/us/products/1076468>

## Environmental product compliance

### EU RoHS

Fulfills EU RoHS substance requirements	Yes, No exemptions
---	--------------------

### China RoHS

Environment friendly use period (EFUP)	EFUP-E
	No hazardous substances above the limits

### EU REACH SVHC

REACH candidate substance (CAS No.)	No substance above 0.1 wt%
-------------------------------------	----------------------------

### EF3.1 Climate Change

CO2e kg	3.048 kg CO2e
---------	---------------

Phoenix Contact 2026 © - all rights reserved  
<https://www.phoenixcontact.com>

Phoenix Contact USA  
586 Fulling Mill Road  
Middletown, PA 17057, United States  
(+717) 944-1300  
[info@phoenixcon.com](mailto:info@phoenixcon.com)