

# EH 90 F-C CS/ABS-PC GY7035 - Upper housing part



1074933

<https://www.phoenixcontact.com/us/products/1074933>

Please be informed that the data shown in this PDF document is generated from our online catalog. Please find the complete data in the user documentation. Our general terms of use for downloads are valid.



DIN rail housing, Upper housing part, flat design, no connection opening, width: 90.1 mm, height: 74.65 mm, depth: 36.95 mm, color: light gray (similar RAL 7035)

## Your advantages

- DIN rail or panel mounting for application-specific device attachment
- Easy design-in, thanks to variable housing form factor
- Complete flexibility, thanks to PCBs with horizontal, frontal, and orthogonal orientation to the front of the device
- Three cover versions for individual PCB connections
- Integration of a wide variety of PCB connection technologies for a functional device design

## Commercial data

Item number	1074933
Packing unit	10 pc
Minimum order quantity	1 pc
Product key	ACHCHC
GTIN	4055626776699
Weight per piece (including packing)	42 g
Weight per piece (excluding packing)	42 g
Country of origin	IN

1074933

<https://www.phoenixcontact.com/us/products/1074933>

## Technical data

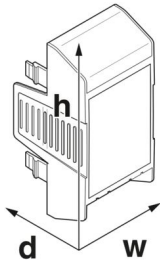
### Notes

Assembly note	Please observe the application note in the download area.
---------------	---

### Product properties

Product type	Upper housing part
Housing type	DIN rail housing
Housing type	Basic housing
Housing series	EH
Product family	EH..F..ABS-PC..
Number (Connection openings)	0
Ventilation openings present	yes

### Dimensions

Dimensional drawing	
Width	90.1 mm
Height	74.65 mm
Depth	36.95 mm

### Material specifications

Color (Upper housing part)	light gray (RAL 7035)
Material Upper housing part	ABS-PC
Flammability rating according to UL 94	V0

### Environmental and real-life conditions

#### Ambient conditions

Max. IP code to attain	IP20
Ambient temperature (operation)	-40 °C ... 80 °C (depending on power dissipation)
Ambient temperature (storage/transport)	-40 °C ... 55 °C
Ambient temperature (assembly)	-5 °C ... 80 °C
Relative humidity (storage/transport)	95 %

### PCB data

Type of PCB mount	Slot
-------------------	------

# EH 90 F-C CS/ABS-PC GY7035 - Upper housing part



1074933

<https://www.phoenixcontact.com/us/products/1074933>

## Mounting

Mounting type

Snap in

# EH 90 F-C CS/ABS-PC GY7035 - Upper housing part

1074933

<https://www.phoenixcontact.com/us/products/1074933>



## Drawings

Dimensional drawing



# EH 90 F-C CS/ABS-PC GY7035 - Upper housing part



1074933

<https://www.phoenixcontact.com/us/products/1074933>

## Approvals

To download certificates, visit the product detail page: <https://www.phoenixcontact.com/us/products/1074933>



**UL Recognized**

Approval ID: E240868

# EH 90 F-C CS/ABS-PC GY7035 - Upper housing part



1074933

<https://www.phoenixcontact.com/us/products/1074933>

## Classifications

### ECLASS

ECLASS-13.0	27190603
ECLASS-15.0	27190603

### ETIM

ETIM 10.0	EC002779
-----------	----------

### UNSPSC

UNSPSC 21.0	31261500
-------------	----------

# EH 90 F-C CS/ABS-PC GY7035 - Upper housing part



1074933

<https://www.phoenixcontact.com/us/products/1074933>

## Environmental product compliance

### EU RoHS

Fulfills EU RoHS substance requirements	Yes, No exemptions
---	--------------------

### China RoHS

Environment friendly use period (EFUP)	EFUP-E
	No hazardous substances above the limits

### EU REACH SVHC

REACH candidate substance (CAS No.)	No substance above 0.1 wt%
-------------------------------------	----------------------------

Phoenix Contact 2026 © - all rights reserved  
<https://www.phoenixcontact.com>

Phoenix Contact USA  
586 Fulling Mill Road  
Middletown, PA 17057, United States  
(+717) 944-1300  
[info@phoenixcon.com](mailto:info@phoenixcon.com)