

# SACC-M12MR-5PL DN - Data connector



1072544

<https://www.phoenixcontact.com/us/products/1072544>

Please be informed that the data shown in this PDF document is generated from our online catalog. Please find the complete data in the user documentation. Our general terms of use for downloads are valid.

Data connector, CANopen®, DeviceNet™, 5-position, unshielded, Plug angled M12, coding: A, Push-lock spring connection, knurl material: Plastic, external cable diameter 4 mm ... 8 mm



## Your advantages

- Time-saving Push-Lock connection: Tool-free connection and disconnection of conductors by opening the contact levers
- Intuitive connection: Easy assignment of individual litz wires with color-coded and numerical identification of the contact levers
- Integrated Push-in Technology: Wire rigid and pretreated conductors easily by means of simple, direct insertion
- Shock- and vibration-resistant connection: Proven spring-cage technology guarantees secure and reliable contacting
- Flexible cable outlets with angled connectors

## Commercial data

Item number	1072544
Packing unit	1 pc
Minimum order quantity	1 pc
Sales key	BF33
Product key	AF2CEA
GTIN	4063151358402
Weight per piece (including packing)	14.5 g
Weight per piece (excluding packing)	14 g
Customs tariff number	85366990
Country of origin	DE

# SACC-M12MR-5PL DN - Data connector



1072544

<https://www.phoenixcontact.com/us/products/1072544>

## Technical data

### Notes

Assembly note	<b>NOTE:</b> Observe the permissible bending radii when routing cables, since the degree of protection may be at risk if the bending forces are too high. Reduce mechanical loads upstream of the connector, e.g., by using cable ties.
---------------	---

### Mounting

Assembly note	The connector pin assignment can be rotated 45° to the cable outlet
	The wires can be connected both with ferrules and without ferrules

### Product properties

Product type	Circular connector (cable-side)
Application	Data
Sensor type	CANopen®
Number of positions	5
No. of cable outlets	1
Shielded	no
Coding	A
Cable outlet	angled

### Insulation characteristics

Overvoltage category	II
Degree of pollution	3

### Dimensions

Dimensional drawing	
---------------------	--

Length	51 mm
--------	-------

### External dimensions

Outside diameter	4 mm ... 8 mm
------------------	---------------

### Housing

Diameter housing	19 mm
------------------	-------

### Material specifications

Flammability rating according to UL 94	V0
--	----

# SACC-M12MR-5PL DN - Data connector



1072544

<https://www.phoenixcontact.com/us/products/1072544>

Seal material	NBR
Material of grip body	PA 6.6
Contact material	CuSn
Contact surface material	Ni/Au
Contact carrier material	PA 6.6
Material for screw connection	Plastic

## Connection data

### Conductor connection

Connection method	Push-lock spring connection
Connection cross section	0.14 mm <sup>2</sup> ... 0.75 mm <sup>2</sup> (without ferrule) 0.14 mm <sup>2</sup> ... 0.5 mm <sup>2</sup> (with ferrule)
Connection cross section AWG	26 ... 18 (without ferrule) 26 ... 20 (with ferrule)
Stripping length of the individual wire	7 mm
Tightening torque	0.4 Nm (M12 knurl) 0.4 Nm (Connector with coupling sleeve) 1.5 Nm (Pressure nut with coupling sleeve)

### Connection assignment

Contact   Color (signal designation)   Contact (optional)	1 = GY (shield) 2 = RD 3 = BK 4 = WH 5 = BU
---	---

## Electrical properties

Rated surge voltage	1.5 kV
Contact resistance	≤ 5 mΩ
Insulation resistance	≥ 100 MΩ
Nominal voltage U <sub>N</sub>	48 V AC 60 V DC
Nominal current I <sub>N</sub>	4 A (2 A when using 0.14 mm <sup>2</sup> conductors)

## Mechanical properties

### Mechanical data

Insertion/withdrawal cycles	≥ 100
-----------------------------	-------

## Connector

### Connection 1

Head design	Plug
Head cable outlet	angled
Head thread type	M12

# SACC-M12MR-5PL DN - Data connector



1072544

<https://www.phoenixcontact.com/us/products/1072544>

Coding	A
--------	---

## Cable/line

Signal type/category	CANopen® DeviceNet™
Stripping length of the individual wire	7 mm

## Environmental and real-life conditions

### Ambient conditions

Degree of protection	IP65 IP67
Ambient temperature (operation) (male connector/female connector)	-40 °C ... 85 °C (Plug / socket)

## Standards and regulations

### M12

Standard designation	M12 connector
Standards/specifications	IEC 61076-2-101

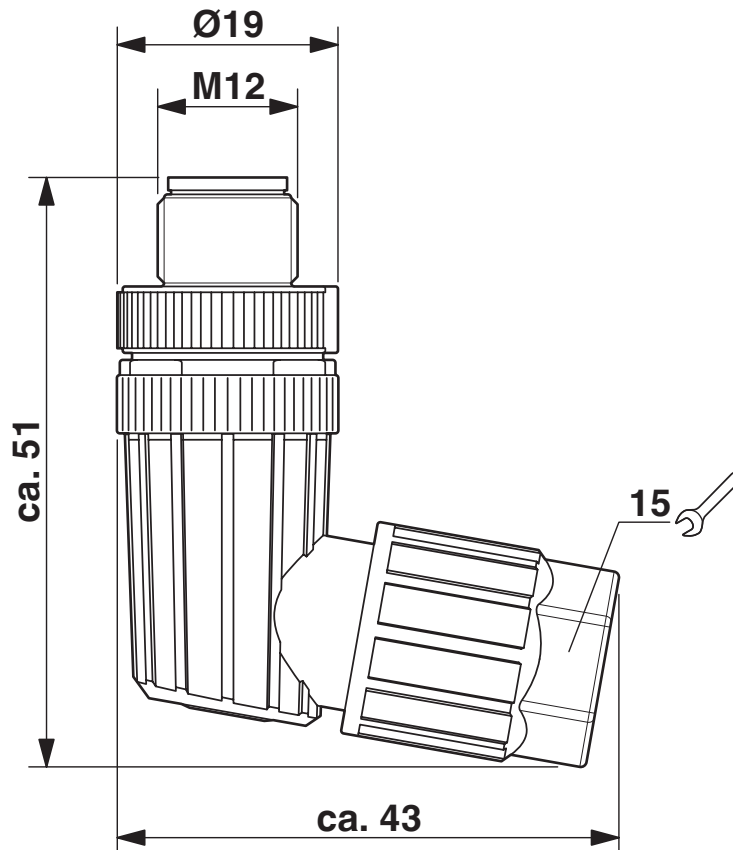
# SACC-M12MR-5PL DN - Data connector

1072544

<https://www.phoenixcontact.com/us/products/1072544>

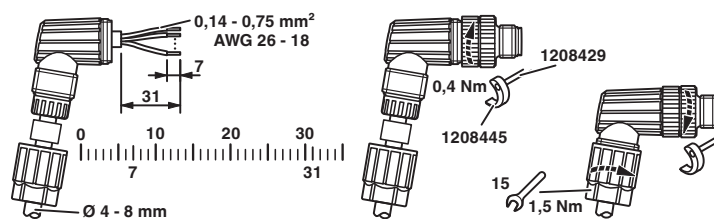
## Drawings

Dimensional drawing



M12 x 1 male plug, angled

Functional drawing



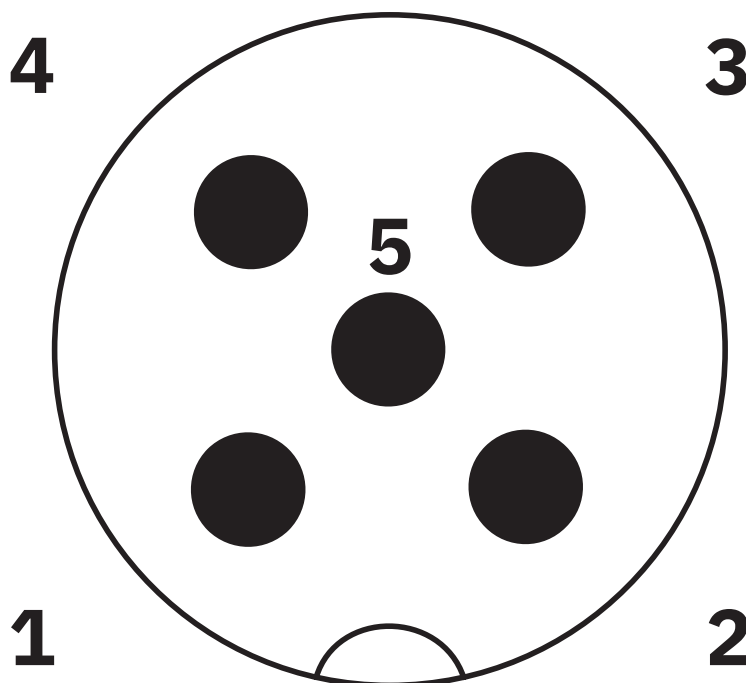
# SACC-M12MR-5PL DN - Data connector

1072544

<https://www.phoenixcontact.com/us/products/1072544>



Schematic diagram



Pin assignment M12 male connector, 5-pos., A-coded, male side

# SACC-M12MR-5PL DN - Data connector





1072544

<https://www.phoenixcontact.com/us/products/1072544>

## Approvals

To download certificates, visit the product detail page: <https://www.phoenixcontact.com/us/products/1072544>

 <b>UL Listed</b> Approval ID: E221474				
	Nominal voltage $U_N$	Nominal current $I_N$	Cross section AWG	Cross section $\text{mm}^2$
keine				
	250 V	4 A	26 - 18	26 - 18

 <b>cUL Listed</b> Approval ID: E221474				
	Nominal voltage $U_N$	Nominal current $I_N$	Cross section AWG	Cross section $\text{mm}^2$
keine				
	250 V	4 A	26 - 18	-

# SACC-M12MR-5PL DN - Data connector



1072544

<https://www.phoenixcontact.com/us/products/1072544>

## Classifications

### ECLASS

ECLASS-13.0	27440116
ECLASS-15.0	27440116

### ETIM

ETIM 10.0	EC002635
-----------	----------

### UNSPSC

UNSPSC 21.0	39121400
-------------	----------

# SACC-M12MR-5PL DN - Data connector



1072544

<https://www.phoenixcontact.com/us/products/1072544>

## Environmental product compliance

### EU RoHS

Fulfills EU RoHS substance requirements	Yes, No exemptions
---	--------------------

### China RoHS

Environment friendly use period (EFUP)	EFUP-E
	No hazardous substances above the limits

### EU REACH SVHC

REACH candidate substance (CAS No.)	No substance above 0.1 wt%
-------------------------------------	----------------------------

Phoenix Contact 2026 © - all rights reserved  
<https://www.phoenixcontact.com>

Phoenix Contact USA  
586 Fulling Mill Road  
Middletown, PA 17057, United States  
(+717) 944-1300  
[info@phoenixcon.com](mailto:info@phoenixcon.com)