

HC-ADV-B10-HHWH-1TTM40-EMC-AL - Housing



1072331

<https://www.phoenixcontact.com/us/products/1072331>

Please be informed that the data shown in this PDF document is generated from our online catalog. Please find the complete data in the user documentation. Our general terms of use for downloads are valid.



HEAVYCON ADVANCE sleeve housing, B10, with stainless steel screw locking (Allen screw), salt-water-resistant aluminum, height 93.7 mm, with 1x M32 thread, straight cable outlet, without surface; conductive seal (EMC properties)

Commercial data

Item number	1072331
Packing unit	1 pc
Minimum order quantity	1 pc
Note	Made to order (non-returnable)
Sales key	BF56
Product key	AF7APH
GTIN	4055626763477
Weight per piece (including packing)	259.439 g
Weight per piece (excluding packing)	22.22 g
Customs tariff number	85389099
Country of origin	PL

1072331

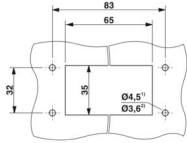
<https://www.phoenixcontact.com/us/products/1072331>

Technical data

Product properties

Product type	Housing with locking latch
Housing type	Sleeve housing
Application	Offshore/EMC
Type	B10
No. of cable outlets	1
Type of the screw connection	1x M40
Fixing screws	M6 (screw head: 5 mm Allen screw)
Cable outlet	straight
Pg screw connection	none

Dimensions

Dimensional drawing	
Height	93.7 mm

Material specifications

Seal material	NBR, conductive
Housing material	Die-cast aluminum, salt water resistant
Housing surface material	uncoated
Locking latch material	Stainless steel

Mechanical properties

Mechanical data	
Type of the screw connection	1x M40
Locking type	Screw

Connection data

Tightening torque	3 Nm ... 5 Nm (for M6 mounting screws on the sleeve housing)
-------------------	--

Mounting

Assembly note	In order to guarantee that the protective conductor contact functions even when plugged in at an angle, the two panel-mount flanges must have sufficient electrical contact with the metal mounting panel.
Fixing screws	M6 (screw head: 5 mm Allen screw)

Environmental and real-life conditions

Ambient conditions	
--------------------	--

HC-ADV-B10-HHWH-1TTM40-EMC-AL - Housing



1072331

<https://www.phoenixcontact.com/us/products/1072331>

Degree of protection	IP66
	IP68 (0.2 bar/24 h)
	IP69 (ISO 20653:2013-02)
Enclosure rating (NEMA)	4 (UL 50e)
	4X (UL 50e)
	12 (UL 50e)
Impact strength	IK09
Ambient temperature (operation)	-40 °C ... 125 °C

1072331

<https://www.phoenixcontact.com/us/products/1072331>

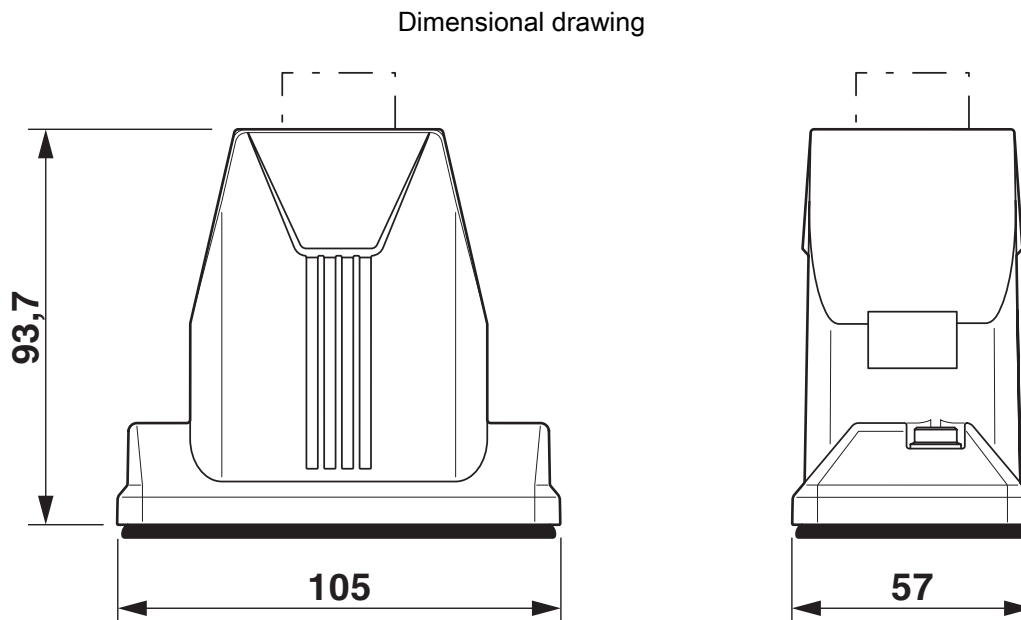
Drawings



Mounting cutout

1) when M4 screws are used

2) when self-tapping Torx® screws are used (Torx® 20, M4)



Dimensional drawing

1072331

<https://www.phoenixcontact.com/us/products/1072331>

Approvals

To download certificates, visit the product detail page: <https://www.phoenixcontact.com/us/products/1072331>



cUL Recognized

Approval ID: E255026



UL Recognized

Approval ID: E255026

DNV

Approval ID: TAE000037S

1072331

<https://www.phoenixcontact.com/us/products/1072331>

Classifications

ECLASS

ECLASS-13.0	27440202
ECLASS-15.0	27440202

ETIM

ETIM 10.0	EC000437
-----------	----------

UNSPSC

UNSPSC 21.0	31261500
-------------	----------

1072331

<https://www.phoenixcontact.com/us/products/1072331>

Environmental product compliance

EU RoHS

Fulfills EU RoHS substance requirements	Yes, No exemptions
---	--------------------

China RoHS

Environment friendly use period (EFUP)	EFUP-E
	No hazardous substances above the limits

EU REACH SVHC

REACH candidate substance (CAS No.)	No substance above 0.1 wt%
-------------------------------------	----------------------------

Phoenix Contact 2026 © - all rights reserved
<https://www.phoenixcontact.com>

Phoenix Contact USA
586 Fulling Mill Road
Middletown, PA 17057, United States
(+717) 944-1300
info@phoenixcon.com