

EH 22,5 F-B/ABS-PC BK9005 - Mounting base housing



1071149

<https://www.phoenixcontact.com/us/products/1071149>

Please be informed that the data shown in this PDF document is generated from our online catalog. Please find the complete data in the user documentation. Our general terms of use for downloads are valid.



DIN rail housing, Lower housing part with base latch, flat design, without vents, width: 22.6 mm, height: 75 mm, depth: 30.3 mm, color: black (similar RAL 9005), cross connection: without bus connector, number of positions cross connector: not relevant

Your advantages

- DIN rail or panel mounting for application-specific device attachment
- Easy design-in, thanks to variable housing form factor
- Complete flexibility, thanks to PCBs with horizontal, frontal, and orthogonal orientation to the front of the device
- Three cover versions for individual PCB connections
- Integration of a wide variety of PCB connection technologies for a functional device design

Commercial data

| | |
|--------------------------------------|---------------|
| Item number | 1071149 |
| Packing unit | 10 pc |
| Minimum order quantity | 1 pc |
| Product key | ACHCHB |
| GTIN | 4055626752723 |
| Weight per piece (including packing) | 68.3 g |
| Weight per piece (excluding packing) | 66.92 g |
| Country of origin | IN |

EH 22,5 F-B/ABS-PC BK9005 - Mounting base housing

1071149

<https://www.phoenixcontact.com/us/products/1071149>

Technical data

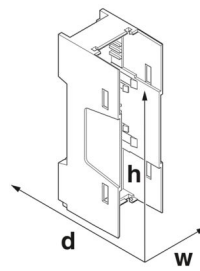
Notes

| | |
|---------------|---|
| Assembly note | Please observe the application note in the download area. |
|---------------|---|

Product properties

| | |
|------------------------------|---|
| Product type | Lower housing part |
| Housing type | DIN rail housing |
| Housing type | Basic housing |
| Housing series | EH |
| Product family | EH..F..ABS-PC.. |
| Type | Lower housing parts without vents, housing cover necessary to complete the module |
| Max. number of positions | 0) |
| Ventilation openings present | no |

Dimensions

| | |
|--|--|
| Dimensional drawing |  |
| Width | 22.6 mm |
| Height | 75 mm |
| Depth | 30.3 mm |
| Depth from top edge of DIN rail to support point on upper part | 26 mm |

PCB design

| | |
|---------------|-------------------|
| PCB thickness | 1.4 mm ... 1.8 mm |
|---------------|-------------------|

Material specifications

| | |
|--|------------------|
| Color (Lower housing part) | black (RAL 9005) |
| Material | ABS-PC |
| Flammability rating according to UL 94 | V0 |

Environmental and real-life conditions

Vibration test

| | |
|---------------|-----------------------------|
| Specification | IEC 60068-2-6:2007-12 |
| Frequency | 10 - 150 - 10 Hz |
| Sweep speed | 1 octave/min |
| Amplitude | 0.15 mm (10 Hz ... 58.1 Hz) |

EH 22,5 F-B/ABS-PC BK9005 - Mounting base housing



1071149

<https://www.phoenixcontact.com/us/products/1071149>

| | |
|------------------------|-------------------------|
| Acceleration | 2g (58.1 Hz ... 150 Hz) |
| Test duration per axis | 2.5 h |
| Test directions | X-, Y- and Z-axis |

Glow-wire test

| | |
|------------------|------------------------|
| Specification | IEC 60695-2-11:2014-02 |
| Temperature | 850 °C |
| Time of exposure | 30 s |

Thermal stability / ball thrust test

| | |
|---------------|------------------------|
| Specification | IEC 60695-10-2:2014-02 |
| Temperature | 80 °C |
| Test duration | 1 h |
| Force | 20 N |

Mechanical strength / tumbling barrel

| | |
|----------------|---------------------|
| Specification | IEC 60998-1:2002-12 |
| Height of fall | 50 cm |
| Frequency | 10 |

Shocks

| | |
|--------------------------------|-----------------------------------|
| Specification | IEC 60068-2-27:2008-02 |
| Pulse shape | Half-sine |
| Acceleration | 15g |
| Shock duration | 11 ms |
| Number of shocks per direction | 3 |
| Test directions | X-, Y- and Z-axis (pos. and neg.) |

Degree of protection (IP code)

| | |
|---------------|---|
| Specification | IEC 60529:1989-11 + AMD 1:1999-11 + AMD 2:2013-08 |
|---------------|---|

Ambient conditions

| | |
|---|---|
| Max. IP code to attain | IP20 |
| Ambient temperature (operation) | -40 °C ... 80 °C (depending on power dissipation) |
| Ambient temperature (storage/transport) | -40 °C ... 55 °C |
| Ambient temperature (assembly) | -5 °C ... 80 °C |
| Relative humidity (storage/transport) | 95 % |

PCB data

| | |
|----------------------|-------------------|
| Type of PCB mount | Latching |
| Thickness of the PCB | 1.4 mm ... 1.8 mm |

Mounting

| | |
|---------------|---|
| Mounting type | DIN rail mounting/panel mounting (with optional base latch) |
|---------------|---|

Packaging specifications

| | |
|-------------------|---------------------|
| Type of packaging | packed in cardboard |
|-------------------|---------------------|

EH 22,5 F-B/ABS-PC BK9005 - Mounting base housing



1071149

<https://www.phoenixcontact.com/us/products/1071149>

| | |
|----------------------|--------|
| Outer packaging type | Carton |
|----------------------|--------|

EH 22,5 F-B/ABS-PC BK9005 - Mounting base housing

1071149

<https://www.phoenixcontact.com/us/products/1071149>

Drawings

Dimensional drawing



Schematic figure for illustrating the item dimensions. The figure is not of the desired product. For further details, refer to the product drawings in the "Downloads" tab.

EH 22,5 F-B/ABS-PC BK9005 - Mounting base housing



1071149

<https://www.phoenixcontact.com/us/products/1071149>

Approvals

To download certificates, visit the product detail page: <https://www.phoenixcontact.com/us/products/1071149>



UL Recognized

Approval ID: E240868

EH 22,5 F-B/ABS-PC BK9005 - Mounting base housing



1071149

<https://www.phoenixcontact.com/us/products/1071149>

Classifications

ECLASS

| | |
|-------------|----------|
| ECLASS-13.0 | 27190601 |
| ECLASS-15.0 | 27190601 |

ETIM

| | |
|-----------|----------|
| ETIM 10.0 | EC002779 |
|-----------|----------|

UNSPSC

| | |
|-------------|----------|
| UNSPSC 21.0 | 31261500 |
|-------------|----------|

EH 22,5 F-B/ABS-PC BK9005 - Mounting base housing



1071149

<https://www.phoenixcontact.com/us/products/1071149>

Environmental product compliance

EU RoHS

| | |
|---|--------------------|
| Fulfills EU RoHS substance requirements | Yes, No exemptions |
|---|--------------------|

China RoHS

| | |
|--|--|
| Environment friendly use period (EFUP) | EFUP-E |
| | No hazardous substances above the limits |

EU REACH SVHC

| | |
|-------------------------------------|----------------------------|
| REACH candidate substance (CAS No.) | No substance above 0.1 wt% |
|-------------------------------------|----------------------------|

Phoenix Contact 2026 © - all rights reserved
<https://www.phoenixcontact.com>

Phoenix Contact USA
586 Fulling Mill Road
Middletown, PA 17057, United States
(+717) 944-1300
info@phoenixcon.com