

EH 70-C CS/ABS-PC BK9005 - Upper housing part



1071138

<https://www.phoenixcontact.com/us/products/1071138>

Please be informed that the data shown in this PDF document is generated from our online catalog. Please find the complete data in the user documentation. Our general terms of use for downloads are valid.



DIN rail housing, Upper housing part, tall design, no connection opening, width: 70.1 mm, height: 75 mm, depth: 36.95 mm, color: black (similar RAL 9005)

Your advantages

- DIN rail or panel mounting for application-specific device attachment
- Easy design-in, thanks to variable housing form factor
- Complete flexibility, thanks to PCBs with horizontal, frontal, and orthogonal orientation to the front of the device
- Three cover versions for individual PCB connections
- Integration of a wide variety of PCB connection technologies for a functional device design

Commercial data

Item number	1071138
Packing unit	10 pc
Minimum order quantity	1 pc
Product key	ACHCHC
GTIN	4055626752457
Weight per piece (including packing)	11.8 g
Weight per piece (excluding packing)	11.54 g
Country of origin	IN

1071138

<https://www.phoenixcontact.com/us/products/1071138>

Technical data

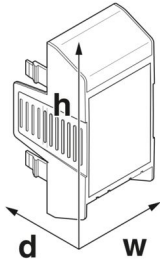
Notes

Assembly note	Please observe the application note in the download area.
---------------	---

Product properties

Product type	Upper housing part
Housing type	DIN rail housing
Housing type	Basic housing
Housing series	EH
Product family	EH..ABS-PC..
Number (Connection openings)	0
Ventilation openings present	no

Dimensions

Dimensional drawing	
Width	70.1 mm
Height	75 mm
Depth	36.95 mm
Depth from base support surface	19.95 mm

Material specifications

Color (Upper housing part)	black (RAL 9005)
Material Upper housing part	ABS-PC
Flammability rating according to UL 94	V0

Environmental and real-life conditions

Ambient conditions

Max. IP code to attain	IP20
Ambient temperature (operation)	-40 °C ... 80 °C (depending on power dissipation)
Ambient temperature (storage/transport)	-40 °C ... 55 °C
Ambient temperature (assembly)	-5 °C ... 80 °C
Relative humidity (storage/transport)	95 %

PCB data

Type of PCB mount	Slot
-------------------	------

EH 70-C CS/ABS-PC BK9005 - Upper housing part



1071138

<https://www.phoenixcontact.com/us/products/1071138>

Mounting

Mounting type	Snap in
---------------	---------

Drawings

Dimensional drawing



Schematic figure for illustrating the item dimensions. The figure is not of the desired product. For further details, refer to the product drawings in the "Downloads" tab.

EH 70-C CS/ABS-PC BK9005 - Upper housing part



1071138

<https://www.phoenixcontact.com/us/products/1071138>

Approvals

To download certificates, visit the product detail page: <https://www.phoenixcontact.com/us/products/1071138>



UL Recognized

Approval ID: E240868

EH 70-C CS/ABS-PC BK9005 - Upper housing part



1071138

<https://www.phoenixcontact.com/us/products/1071138>

Classifications

ECLASS

ECLASS-13.0	27190603
ECLASS-15.0	27190603

ETIM

ETIM 10.0	EC002779
-----------	----------

UNSPSC

UNSPSC 21.0	31261500
-------------	----------

EH 70-C CS/ABS-PC BK9005 - Upper housing part



1071138

<https://www.phoenixcontact.com/us/products/1071138>

Environmental product compliance

EU RoHS

Fulfills EU RoHS substance requirements	Yes, No exemptions
---	--------------------

China RoHS

Environment friendly use period (EFUP)	EFUP-E
	No hazardous substances above the limits

EU REACH SVHC

REACH candidate substance (CAS No.)	No substance above 0.1 wt%
-------------------------------------	----------------------------

Phoenix Contact 2026 © - all rights reserved
<https://www.phoenixcontact.com>

Phoenix Contact USA
586 Fulling Mill Road
Middletown, PA 17057, United States
(+717) 944-1300
info@phoenixcon.com