

# PRC 3-HEAD-MS6-2 - Contact carrier



1070200

<https://www.phoenixcontact.com/us/products/1070200>

Please be informed that the data shown in this PDF document is generated from our online catalog. Please find the complete data in the user documentation. Our general terms of use for downloads are valid.



Contact carrier, Range of articles: PRC 35, color: black, number of positions: 3, min. conductor cross-section: 1.5 mm<sup>2</sup>, max. conductor cross-section: 6 mm<sup>2</sup>, rated voltage: 690 V AC, rated current: 35 A, Connection method: Screw connection, Contact insert without connector housing. Please order the appropriate connector housings according to the accessories list.

## Your advantages

- Versatile interfaces with straight and angled connector housings
- Universal accommodation of existing connector heads with screw connection technology
- Modular system for optimized storage
- Locking mechanism can be unlocked manually or using a tool
- Ideal for indoor and outdoor use due to weatherproof materials

## Commercial data

|                                      |               |
|--------------------------------------|---------------|
| Item number                          | 1070200       |
| Packing unit                         | 1 pc          |
| Minimum order quantity               | 1 pc          |
| Sales key                            | AB03          |
| Product key                          | ABLCBA        |
| GTIN                                 | 4055626747880 |
| Weight per piece (including packing) | 42.2 g        |
| Weight per piece (excluding packing) | 27.698 g      |
| Customs tariff number                | 85366990      |
| Country of origin                    | PL            |

# PRC 3-HEAD-MS6-2 - Contact carrier



1070200

<https://www.phoenixcontact.com/us/products/1070200>

## Technical data

### Notes

|                     |  |
|---------------------|--|
| Order information:  | Contact insert without connector housing. Please order the appropriate connector housings according to the accessories list. |
| Note on application | For assembly notes, please refer to the packing slip   |

### Product properties

|                     |                |
|---------------------|----------------|
| Product type        | Contact insert |
| Product family      | PRC 35         |
| Number of positions | 3              |
| Connection profile  | 2+PE           |
| Coding              | AD             |

### Insulation characteristics

|                     |    |
|---------------------|----|
| Protection class    | II |
| Degree of pollution | 2  |

### Electrical properties

|                             |   |
|-----------------------------|---|
| Rated voltage (III/2)       | 690 V   |
| Rated voltage               | 690 V AC (III/2.00) in accordance with IEC 61984  |
|                             | 600 V AC (III/2.00) in accordance with UL 2238/UL 2237, when mounted                            |
|                             | 500 V DC (III/2.00) in accordance with IEC 61535, when mounted                                  |
| Rated surge voltage (III/2) | 8 kV  |
| Rated current               | 35 A (With 6 mm <sup>2</sup> conductor cross-section in accordance with IEC 61984)              |
|                             | 32 A (With 6 mm <sup>2</sup> conductor cross-section in accordance with IEC 61535)              |
|                             | 21.4 A (With 6 mm <sup>2</sup> conductor cross-section and 85 °C in accordance with 2 PfG 1915) |
|                             | 35 A (with AWG 10, in accordance with UL 2237)  |

### Connection data

|                                  |   |
|----------------------------------|---|
| Connection method                | Screw connection                          |
| Tightening torque                | ... 1 Nm                                  |
| Conductor cross-section flexible | 4 mm <sup>2</sup> ... 6 mm <sup>2</sup>   |
| Conductor cross-section rigid    | 1.5 mm <sup>2</sup> ... 6 mm <sup>2</sup> |

### Dimensions

|        |         |
|--------|---------|
| Width  | 35.9 mm |
| Height | 34.5 mm |
| Length | 48.4 mm |

### Material specifications

# PRC 3-HEAD-MS6-2 - Contact carrier



1070200

<https://www.phoenixcontact.com/us/products/1070200>

|  |                                   |
|--|-----------------------------------|
| Color (Housing)                        | black (RAL 9005)                  |
| Color of the housing part              | black                             |
| Material Seal                          | EPDM (Housing seal)               |
| Material Contact carrier               | PPE                               |
| Material Contact                       | CuZn (Contact material, Pb < 0.1) |
| Material Housing                       | PPE                               |
| Flammability rating according to UL 94 | V0                                |
| Contact surface material               | silver-plated                     |
| O-ring material                        | EPDM                              |

## Cable/line

|   |                                       |
|---|---------------------------------------|
| Single wire, cross section              | 1.5 mm <sup>2</sup> 6 mm <sup>2</sup> |
| Stripping length of the individual wire | 12 mm (Lay PE conductor 8 mm leading) |
| Halogen-free                            | yes                                   |

## Mechanical properties

### Mechanical data

|                             |   |
|-----------------------------|---|
| Insertion/withdrawal cycles | 2000 (Test specification: IEC 60512-13-2) |
|-----------------------------|---|

## Environmental and real-life conditions

### Ambient conditions

|   |   |
|---|---|
| Degree of protection                    | IP66/IP68 (2 m / 24 h) IP69K (when mounted)<br>IP66/IP68 (2 m / 24 h) IP69K |
| Category of shock impact                | IK08 (-25°C)  |
| Ambient temperature (operation)         | -40 °C ... 105 °C (dependent on the derating curve)                         |
| Ambient temperature (storage/transport) | -40 °C ... 70 °C  |
| Ambient temperature (assembly)          | -5 °C ... 85 °C   |

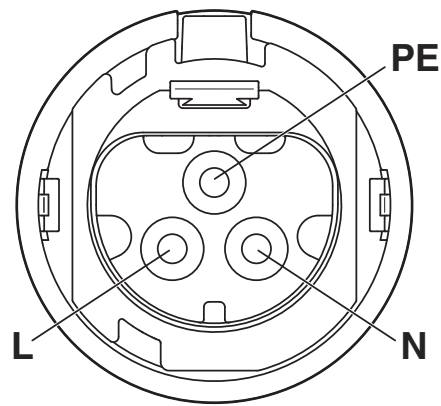
# PRC 3-HEAD-MS6-2 - Contact carrier

1070200

<https://www.phoenixcontact.com/us/products/1070200>

## Drawings

Schematic diagram



Connector pin assignment

# PRC 3-HEAD-MS6-2 - Contact carrier



1070200

<https://www.phoenixcontact.com/us/products/1070200>

## Approvals

To download certificates, visit the product detail page: <https://www.phoenixcontact.com/us/products/1070200>



**cUL Recognized**  
Approval ID: E468743-20200116



**UL Recognized**  
Approval ID: E468743-20200116



**VDE Zeichengenehmigung**  
Approval ID: 40054228

|       | Nominal voltage $U_N$ | Nominal current $I_N$ | Cross section AWG | Cross section $\text{mm}^2$ |
|-------|-----------------------|-----------------------|-------------------|-----------------------------|
| keine |                       |                       |                   |                             |
|       | 320 V                 | 32 A                  | -                 | -                           |



**VDE Zeichengenehmigung**  
Approval ID: 40054231

|       | Nominal voltage $U_N$ | Nominal current $I_N$ | Cross section AWG | Cross section $\text{mm}^2$ |
|-------|-----------------------|-----------------------|-------------------|-----------------------------|
| keine |                       |                       |                   |                             |
|       | 690 V                 | 35 A                  | -                 | -                           |

# PRC 3-HEAD-MS6-2 - Contact carrier



1070200

<https://www.phoenixcontact.com/us/products/1070200>

## Classifications

### ECLASS

|             |          |
|-------------|----------|
| ECLASS-13.0 | 27440605 |
| ECLASS-15.0 | 27440605 |

### ETIM

|           |          |
|-----------|----------|
| ETIM 10.0 | EC002560 |
|-----------|----------|

### UNSPSC

|             |          |
|-------------|----------|
| UNSPSC 21.0 | 39121400 |
|-------------|----------|

# PRC 3-HEAD-MS6-2 - Contact carrier



1070200

<https://www.phoenixcontact.com/us/products/1070200>

## Environmental product compliance

### EU RoHS

|   |                    |
|---|--------------------|
| Fulfills EU RoHS substance requirements | Yes, No exemptions |
|---|--------------------|

### China RoHS

|  |  |
|--|--|
| Environment friendly use period (EFUP) | EFUP-E                                   |
|  | No hazardous substances above the limits |

### EU REACH SVHC

|                                     |                                    |
|-------------------------------------|------------------------------------|
| REACH candidate substance (CAS No.) | Triphenyl phosphate(CAS: 115-86-6) |
|-------------------------------------|------------------------------------|

Phoenix Contact 2026 © - all rights reserved  
<https://www.phoenixcontact.com>

Phoenix Contact USA  
586 Fulling Mill Road  
Middletown, PA 17057, United States  
(+717) 944-1300  
[info@phoenixcon.com](mailto:info@phoenixcon.com)