

# PRC 5-HEAD-FS6-1 - Contact carrier



1070197

<https://www.phoenixcontact.com/us/products/1070197>

Please be informed that the data shown in this PDF document is generated from our online catalog. Please find the complete data in the user documentation. Our general terms of use for downloads are valid.



Contact carrier, Range of articles: PRC 35, design: Release with tool or by hand (see accessories), color: black, number of positions: 5, min. conductor cross-section: 1.5 mm<sup>2</sup>, max. conductor cross-section: 6 mm<sup>2</sup>, rated voltage: 690 V AC, rated current: 35 A, Connection method: Screw connection, Contact insert without connector housing. Please order the appropriate connector housings according to the accessories list.

## Your advantages

- Versatile interfaces with straight and angled connector housings
- Universal accommodation of existing connector heads with screw connection technology
- Modular system for optimized storage
- Locking mechanism can be unlocked manually or using a tool
- Ideal for indoor and outdoor use due to weatherproof materials

## Commercial data

Item number	1070197
Packing unit	1 pc
Minimum order quantity	1 pc
Sales key	AB03
Product key	ABLCBA
GTIN	4055626748498
Weight per piece (including packing)	54.4 g
Weight per piece (excluding packing)	40.395 g
Customs tariff number	85366990
Country of origin	PL

# PRC 5-HEAD-FS6-1 - Contact carrier



1070197

<https://www.phoenixcontact.com/us/products/1070197>

## Technical data

### Notes

Order information:	Contact insert without connector housing. Please order the appropriate connector housings according to the accessories list.
Note on application	For assembly notes, please refer to the packing slip

### Product properties

Product type	Contact insert
Product family	PRC 35
Type	Release with tool or by hand (see accessories)
Number of positions	5
Connection profile	4+PE
Coding	AD

### Insulation characteristics

Protection class	II
Degree of pollution	2

### Electrical properties

Rated voltage (III/2)	690 V
Rated voltage	690 V AC (III/2.00) in accordance with IEC 61984, when mounted 600 V AC / DC (III/2.00) in accordance with UL 2238/UL 2237, when mounted 500 V DC (III/2.00) in accordance with IEC 61535, when mounted
Rated surge voltage (III/2)	8 kV
Rated current	35 A (With 6 mm <sup>2</sup> conductor cross-section in accordance with IEC 61984) 28 A (with AWG 10, in accordance with UL 2237) 32 A (With 6 mm <sup>2</sup> conductor cross-section in accordance with IEC 61535)

### Connection data

Connection method	Screw connection
Tightening torque	... 1 Nm
Conductor cross-section flexible	4 mm <sup>2</sup> ... 6 mm <sup>2</sup>
Conductor cross-section rigid	1.5 mm <sup>2</sup> ... 6 mm <sup>2</sup>

### Dimensions

Width	35.9 mm
Height	34.5 mm
Length	51.2 mm

### Material specifications

Color (Housing)	black (RAL 9005)
-----------------	------------------

# PRC 5-HEAD-FS6-1 - Contact carrier



1070197

<https://www.phoenixcontact.com/us/products/1070197>

Color of the housing part	black
Material Seal	EPDM (Housing seal)
Material Contact carrier	PPE
Material Contact	CuZn (Contact material, Pb < 0.1)
Material Housing	PPE
Flammability rating according to UL 94	V0
Contact surface material	silver-plated
O-ring material	EPDM

## Cable/line

Single wire, cross section	1.5 mm <sup>2</sup> 6 mm <sup>2</sup> 14 AWG 10 AWG
Stripping length of the individual wire	12 mm (Lay PE conductor 8 mm leading)
Halogen-free	yes

## Mechanical properties

### Mechanical data

Insertion/withdrawal cycles	2000 (Test specification: IEC 60512-13-2)
Insertion force	50 N ±10 N (Test specification: IEC 60512-13-2)

## Environmental and real-life conditions

### Ambient conditions

Degree of protection (when plugged in)	IP66/IP68 (2 m / 24 h) IP69K (when mounted)
Degree of protection	IP66/IP68 (2 m / 24 h) IP69K (when mounted) IP66/IP68 (2 m / 24 h) IP69K
Category of shock impact	IK08 (-25°C)
Ambient temperature (operation)	-40 °C ... 105 °C (dependent on the derating curve)
Ambient temperature (storage/transport)	-40 °C ... 70 °C
Ambient temperature (assembly)	-5 °C ... 85 °C

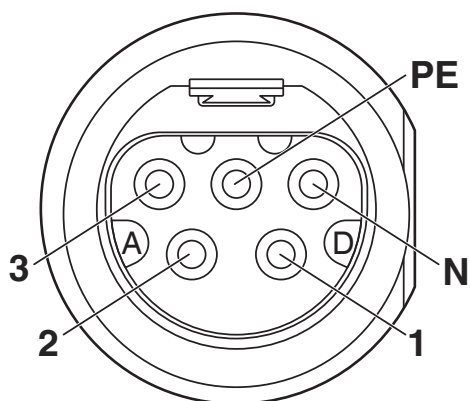
# PRC 5-HEAD-FS6-1 - Contact carrier

1070197

<https://www.phoenixcontact.com/us/products/1070197>

## Drawings

Schematic diagram



Connector pin assignment

# PRC 5-HEAD-FS6-1 - Contact carrier



1070197

<https://www.phoenixcontact.com/us/products/1070197>

## Approvals

To download certificates, visit the product detail page: <https://www.phoenixcontact.com/us/products/1070197>



**cUL Recognized**  
Approval ID: E468743-20200116



**UL Recognized**  
Approval ID: E468743-20200116



**VDE Zeichengenehmigung**  
Approval ID: 40054231

	Nominal voltage $U_N$	Nominal current $I_N$	Cross section AWG	Cross section $\text{mm}^2$
keine				
	690 V	35 A	-	-



**VDE Zeichengenehmigung**  
Approval ID: 40054228

	Nominal voltage $U_N$	Nominal current $I_N$	Cross section AWG	Cross section $\text{mm}^2$
keine				
	500 V	32 A	-	-

# PRC 5-HEAD-FS6-1 - Contact carrier



1070197

<https://www.phoenixcontact.com/us/products/1070197>

## Classifications

### ECLASS

ECLASS-13.0	27440605
ECLASS-15.0	27440605

### ETIM

ETIM 10.0	EC002560
-----------	----------

### UNSPSC

UNSPSC 21.0	39121400
-------------	----------

# PRC 5-HEAD-FS6-1 - Contact carrier



1070197

<https://www.phoenixcontact.com/us/products/1070197>

## Environmental product compliance

### EU RoHS

Fulfills EU RoHS substance requirements	Yes, No exemptions
---	--------------------

### China RoHS

Environment friendly use period (EFUP)	EFUP-E
	No hazardous substances above the limits

### EU REACH SVHC

REACH candidate substance (CAS No.)	Triphenyl phosphate(CAS: 115-86-6)
SCIP	e82a1a66-b53e-4795-870b-5c1b2bd98d1b

### EF3.1 Climate Change

CO2e kg	0.587 kg CO2e
---------	---------------

Phoenix Contact 2026 © - all rights reserved

<https://www.phoenixcontact.com>

Phoenix Contact USA  
586 Fulling Mill Road  
Middletown, PA 17057, United States  
(+717) 944-1300  
[info@phoenixcon.com](mailto:info@phoenixcon.com)