

HC-M-08-EMC-DSUB-F - Connector



1066080

<https://www.phoenixcontact.com/us/products/1066080>

Please be informed that the data shown in this PDF document is generated from our online catalog. Please find the complete data in the user documentation. Our general terms of use for downloads are valid.



Connector, number of positions: 8, power contacts: 0, control contacts: 8, Socket, Crimp connection, 48 V, 5 A, 0.09 mm² ... 0.52 mm², external cable diameter: 3 mm ... 9.5 mm, application: Data/signal

Commercial data

Item number	1066080
Packing unit	1 pc
Minimum order quantity	1 pc
Sales key	BF62
Product key	AF7ACB
GTIN	4055626727981
Weight per piece (including packing)	30.76 g
Weight per piece (excluding packing)	31.343 g
Customs tariff number	85389099
Country of origin	CN

HC-M-08-EMC-DSUB-F - Connector

1066080

<https://www.phoenixcontact.com/us/products/1066080>

Technical data

Product properties

Product type	EMC insert, modular
Series	HC-M-EMV
Application	Data/signal
Number of positions	8
Connection profile	8
Contact numbering	1 - 8
No. of cable outlets	1
No. of power contacts	0
No. of control contacts	8
Contact material type	turned
Shielded	yes

Insulation characteristics

Overvoltage category	III
Degree of pollution	3

Electrical properties

Rated voltage (III/3)	48 V
Rated surge voltage	0.8 kV
Rated current	5 A
Transmission characteristics (category)	CAT5e

Connection data

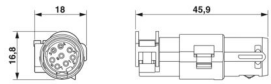
Connection technology

Connection technology	Crimp connection
-----------------------	------------------

Conductor connection

Conductor cross-section	0.09 mm ² ... 0.52 mm ²
Connection cross section AWG	28 ... 20

Dimensions

Dimensional drawing	
Height	15.5 mm
Length	45.9 mm

Mechanical characteristics

Contact diameter	1 mm
------------------	------

HC-M-08-EMC-DSUB-F - Connector



1066080

<https://www.phoenixcontact.com/us/products/1066080>

Material specifications

Material Line conductor	Zinc alloy
Flammability rating according to UL 94	V0
Contact material	Copper alloy
Contact surface material	Au
Contact carrier material	PC

Cable/line

External cable diameter	3 mm ... 9.5 mm
-------------------------	-----------------

Mechanical properties

Mechanical data

Insertion/withdrawal cycles	≥ 500
-----------------------------	-------

Environmental and real-life conditions

Ambient conditions

Ambient temperature (operation)	-40 °C ... 85 °C
---------------------------------	------------------

Mounting

Assembly note	The round contact carrier can be separated in the middle for the purpose of assembling/disassembling contacts. Disassemble the connector from the plastic module using the tool, order no.: 1678635 HC-M-EMV-KON-EWZ
---------------	----------------------------------------------------------------------------------------------------------------------------------------------------------------------------------------------------------------------

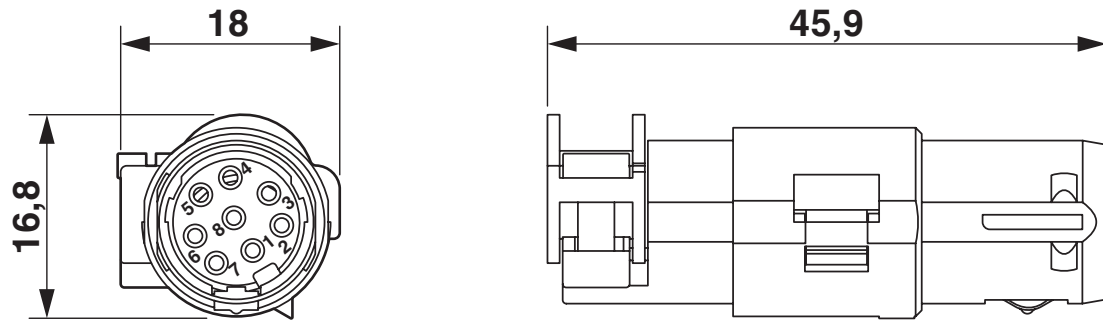
HC-M-08-EMC-DSUB-F - Connector

1066080

<https://www.phoenixcontact.com/us/products/1066080>

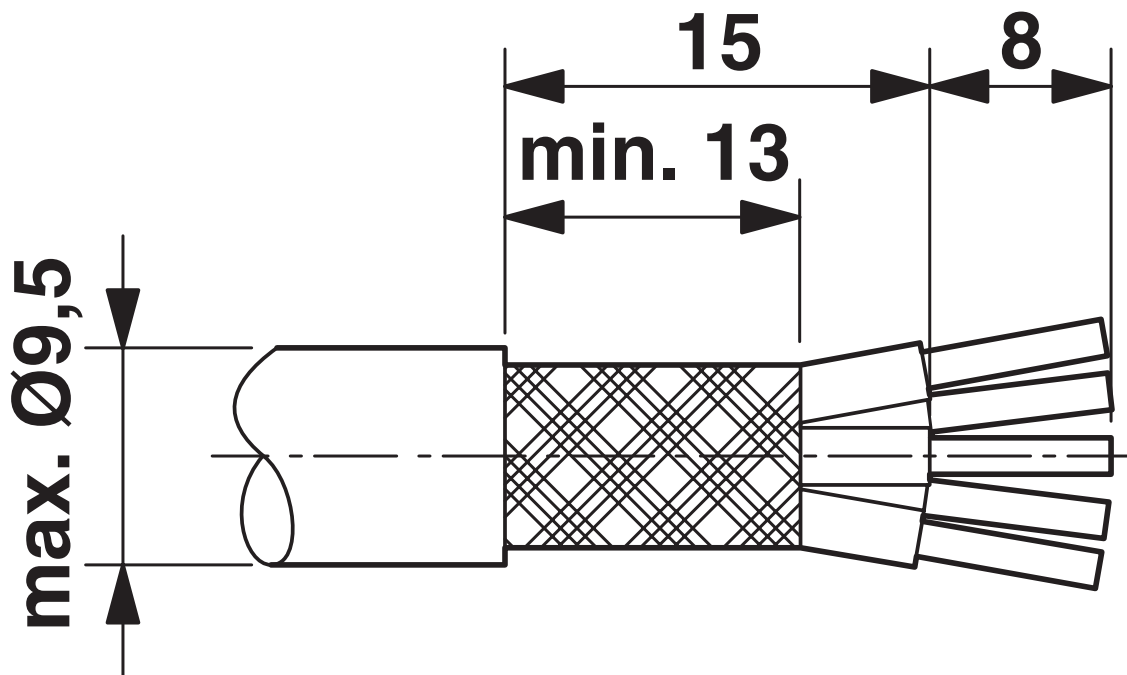
Drawings

Dimensional drawing



Female insert

Dimensional drawing



Stripping specifications

HC-M-08-EMC-DSUB-F - Connector



1066080

<https://www.phoenixcontact.com/us/products/1066080>

Classifications

ECLASS

ECLASS-13.0	27440205
ECLASS-15.0	27440205

ETIM

ETIM 10.0	EC000438
-----------	----------

UNSPSC

UNSPSC 21.0	39121500
-------------	----------

HC-M-08-EMC-DSUB-F - Connector



1066080

<https://www.phoenixcontact.com/us/products/1066080>

Environmental product compliance

EU RoHS

Fulfills EU RoHS substance requirements	Yes, No exemptions
-----------------------------------------	--------------------

China RoHS

Environment friendly use period (EFUP)	EFUP-E
	No hazardous substances above the limits

EU REACH SVHC

REACH candidate substance (CAS No.)	No substance above 0.1 wt%
-------------------------------------	----------------------------

Phoenix Contact 2026 © - all rights reserved
<https://www.phoenixcontact.com>

Phoenix Contact USA
586 Fulling Mill Road
Middletown, PA 17057, United States
(+717) 944-1300
info@phoenixcon.com