

TTC-6P-3-EX-24DC-I-P - Surge protection plug



1064663

<https://www.phoenixcontact.com/us/products/1064663>

Please be informed that the data shown in this PDF document is generated from our online catalog. Please find the complete data in the user documentation. Our general terms of use for downloads are valid.



Surge protection plug with integrated status indicator on the module for a 3-wire floating Ex i signal circuit. Nominal voltage: 24 V DC

Your advantages

- Space-saving and cost-saving with a narrow overall width of just 6 mm
- Continuous monitoring of protective devices, plus mechanical status indicator with optional remote signaling
- Finding the right product for all possible requirements in MCR applications is easy, thanks to the complete range of products with customized features
- Easy testing and documentation with CHECKMASTER 2 with pluggable protective modules
- The signal is not influenced during maintenance work, thanks to the impedance-neutral insertion and removal of protective plugs

Commercial data

Item number	1064663
Packing unit	1 pc
Minimum order quantity	1 pc
Sales key	CL02
Product key	CL216Z
GTIN	4055626719764
Weight per piece (including packing)	36.8 g
Weight per piece (excluding packing)	9.3 g
Customs tariff number	85363010
Country of origin	DE

TTC-6P-3-EX-24DC-I-P - Surge protection plug

1064663

<https://www.phoenixcontact.com/us/products/1064663>

Technical data

Product properties

Product type	Replacement plug
Product family	TERMITRAB complete
Type	Male

Insulation characteristics

Overvoltage category	III
Pollution degree	2

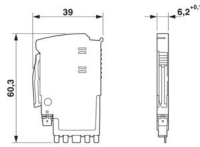
Electrical properties

Nominal voltage U_N	24 V DC
-----------------------	---------

Connection data

Connection method	pluggable
-------------------	-----------

Dimensions

Dimensional drawing	
Width	6.2 mm +0.1 mm
Height	39 mm
Depth	60.3 mm

Material specifications

Color	blue (RAL 5015)
	light gray (RAL 7035)
Flammability rating according to UL 94	V-0
Insulating material	PBT
Housing material	PBT

Protective circuit

Direction of action	Line-Line & Line-Signal Ground/Shield & optional Signal Ground/Shield-Earth Ground
Nominal voltage U_N	24 V DC
Maximum continuous operating voltage U_C	30 V DC
Rated current	5 A (55 °C)
Surge protection fault message	optical

Environmental and real-life conditions

Ambient conditions

TTC-6P-3-EX-24DC-I-P - Surge protection plug



1064663

<https://www.phoenixcontact.com/us/products/1064663>

Degree of protection	IP20
Ambient temperature (operation)	-40 °C ... 85 °C
Ambient temperature (storage/transport)	-40 °C ... 85 °C
Altitude	≤ 2000 m (amsl)
Permissible humidity (operation)	5 % ... 95 %

Standards and regulations

Standards/specifications	EN 60079-0
Note	2018
Standards/specifications	EN 60079-11
Note	2012

EN 61643-21

Standards/specifications	EN 61643-21
Note	2001 + A1:2009 + A2:2013
Standards/specifications	IEC 60079-0
Note	2017
Standards/specifications	IEC 60079-11
Note	2008
Standards/specifications	IEC 61643-21
Note	2000 + corrigendum 2001 + A1:2008, modified + A2:2012
Standards/specifications	GB/T 3836.1
Note	2021
Standards/specifications	GB/T 3836.4
Note	2021

Mounting

Mounting type	on base element
---------------	-----------------

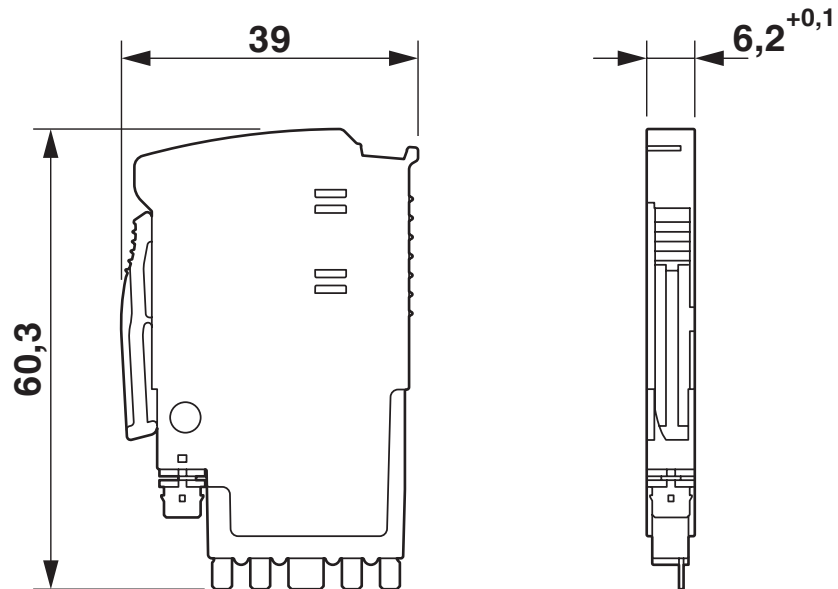
TTC-6P-3-EX-24DC-I-P - Surge protection plug

1064663

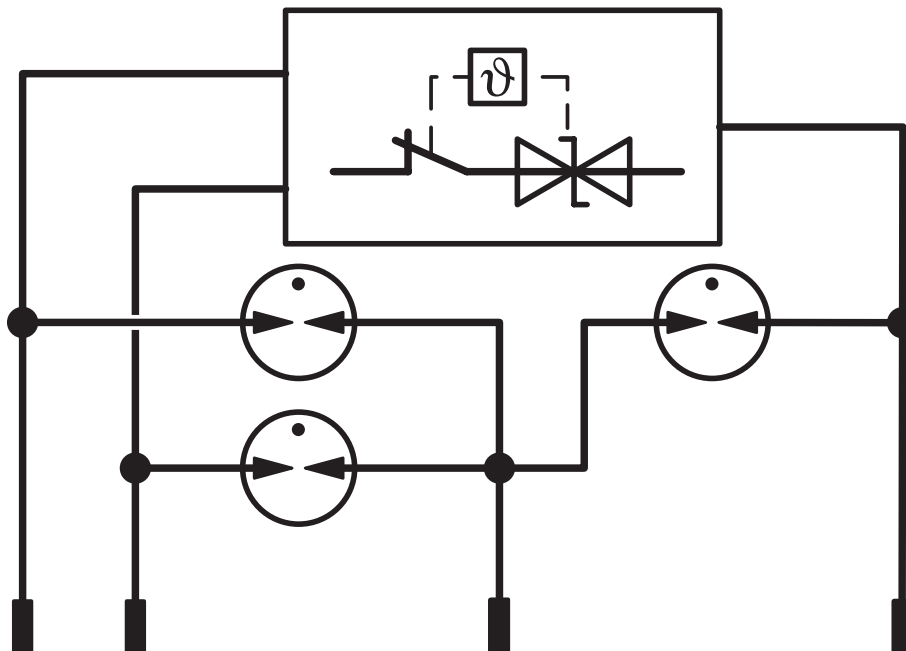
<https://www.phoenixcontact.com/us/products/1064663>

Drawings

Dimensional drawing



Circuit diagram



TTC-6P-3-EX-24DC-I-P - Surge protection plug



1064663

<https://www.phoenixcontact.com/us/products/1064663>

Approvals

To download certificates, visit the product detail page: <https://www.phoenixcontact.com/us/products/1064663>



UL Listed

Approval ID: FILE E 138168

UAE-RoHS

Approval ID: 22-06-16781



UL Listed

Approval ID: FILE E 138168



cUL Listed

Approval ID: FILE E 333250



UL Listed

Approval ID: FILE E 333250

INMETRO

Approval ID: 19.0077 X



NEPSI-EX

Approval ID: GYJ20.1114X



CCC

Approval ID: 2020322316000780



UKCA-EX

Approval ID: DEKRA 23UKEX0110X



cULus Listed

Approval ID: File E 333250



IECEX

Approval ID: IECEX BVS 16.0090X

TTC-6P-3-EX-24DC-I-P - Surge protection plug



1064663

<https://www.phoenixcontact.com/us/products/1064663>



ATEX

Approval ID: BVS 16 ATEX E 125 X

TTC-6P-3-EX-24DC-I-P - Surge protection plug



1064663

<https://www.phoenixcontact.com/us/products/1064663>

Classifications

ECLASS

ECLASS-13.0	27171502
ECLASS-15.0	27171502

ETIM

ETIM 10.0	EC001625
-----------	----------

UNSPSC

UNSPSC 21.0	39121600
-------------	----------

TTC-6P-3-EX-24DC-I-P - Surge protection plug



1064663

<https://www.phoenixcontact.com/us/products/1064663>

Environmental product compliance

EU RoHS

Fulfills EU RoHS substance requirements	Yes
Exemption	7(a)

China RoHS

Environment friendly use period (EFUP)	EFUP-50
	An article-related China RoHS declaration table can be found in the download area for the respective article under "Manufacturer declaration". For all articles with EFUP-E, no China RoHS declaration table issued and required.

EU REACH SVHC

REACH candidate substance (CAS No.)	Lead(CAS: 7439-92-1)
SCIP	e0bc534d-586e-4f86-b03f-2fbd95427124

Phoenix Contact 2026 © - all rights reserved

<https://www.phoenixcontact.com>

Phoenix Contact USA
586 Fulling Mill Road
Middletown, PA 17057, United States
(+717) 944-1300
info@phoenixcon.com