

# HC-M-D15-MF-HB - Module carrier frame



1062122

<https://www.phoenixcontact.com/us/products/1062122>

Please be informed that the data shown in this PDF document is generated from our online catalog. Please find the complete data in the user documentation. Our general terms of use for downloads are valid.

Module carrier frame, size: D15, 0.14 mm<sup>2</sup> ... 2.5 mm<sup>2</sup>, application: Module carrier frame, for size D15 housings



## Commercial data

Item number	1062122
Packing unit	1 pc
Minimum order quantity	1 pc
Sales key	BF62
Product key	AF7ACD
GTIN	4055626718040
Weight per piece (including packing)	45 g
Weight per piece (excluding packing)	43 g
Customs tariff number	85389099
Country of origin	CN

# HC-M-D15-MF-HB - Module carrier frame

1062122

<https://www.phoenixcontact.com/us/products/1062122>

## Technical data

### Notes

General	for modular contact inserts with a width of 14.6 mm in conjunction with size D15 housings.
---------	--

### Product properties

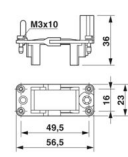
Product type	Module carrier frame
Application	Module carrier frame
Type	D15
Number of module slots	1

### Connection data

#### Conductor connection

Conductor cross-section	0.14 mm <sup>2</sup> ... 2.5 mm <sup>2</sup> (applies to stranded conductors with ferrules)
Connection cross section AWG	24 ... 14

### Dimensions

Dimensional drawing	
Width	23 mm
Height	36 mm
Length	56.5 mm

### Material specifications

Contact surface material	Ni
Contact carrier material	Die-cast zinc alloy
Standards/regulations	Zinc alloy

### Mechanical properties

#### Mechanical data

Insertion/withdrawal cycles	≥ 500
-----------------------------	-------

### Environmental and real-life conditions

#### Ambient conditions

Ambient temperature (operation)	-40 °C ... 125 °C
---------------------------------	-------------------

### Mounting

Assembly note	Maximum allowable conductor cross-section for the modules
---------------	---

# HC-M-D15-MF-HB - Module carrier frame



1062122

<https://www.phoenixcontact.com/us/products/1062122>

---

used: 2.5 mm<sup>2</sup>

# HC-M-D15-MF-HB - Module carrier frame

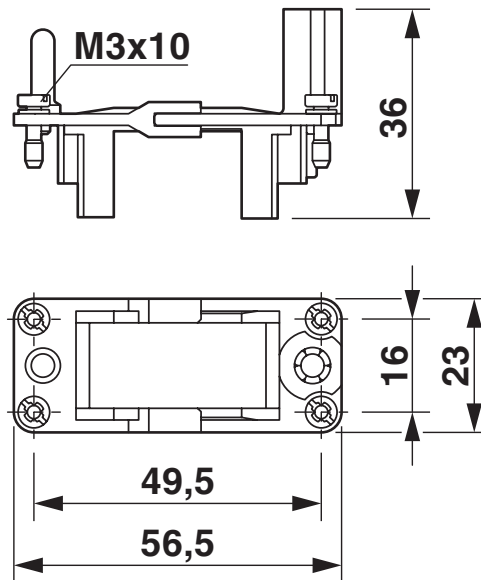


1062122

<https://www.phoenixcontact.com/us/products/1062122>

## Drawings

Dimensional drawing



Dimensional drawing

# HC-M-D15-MF-HB - Module carrier frame



1062122

<https://www.phoenixcontact.com/us/products/1062122>

## Classifications

### ECLASS

ECLASS-13.0	27440206
ECLASS-15.0	27440206

### ETIM

ETIM 10.0	EC002312
-----------	----------

### UNSPSC

UNSPSC 21.0	31261500
-------------	----------

# HC-M-D15-MF-HB - Module carrier frame



1062122

<https://www.phoenixcontact.com/us/products/1062122>

## Environmental product compliance

### EU RoHS

Fulfills EU RoHS substance requirements	Yes
Exemption	6(c)

### China RoHS

Environment friendly use period (EFUP)	EFUP-E
	No hazardous substances above the limits

### EU REACH SVHC

REACH candidate substance (CAS No.)	Lead(CAS: 7439-92-1)
SCIP	a406a8e4-4dc1-459a-a964-9a6601014adb

Phoenix Contact 2026 © - all rights reserved  
<https://www.phoenixcontact.com>

Phoenix Contact USA  
586 Fulling Mill Road  
Middletown, PA 17057, United States  
(+717) 944-1300  
[info@phoenixcon.com](mailto:info@phoenixcon.com)