

# ID-S-RT 915 - Wireless receiver

1061961

<https://www.phoenixcontact.com/us/products/1061961>

Please be informed that the data shown in this PDF document is generated from our online catalog. Please find the complete data in the user documentation. Our general terms of use for downloads are valid.



Wireless receiver, RSMA (female) antenna connection, communication with the ID-S-S 915 sensor via 915 MHz frequency band

The figure shows product ID-S-RT 868

## Product description

The ID-S-RT wireless receiver is part of the Blade Intelligence rotor blade monitoring system for wind turbine generators (WTGs). The Blade Intelligence rotor blade monitoring system allows for recording and detailed analysis of typical measured values for lightning currents, temperature, ice thickness, and bending moments on the rotor of a WTG. It consists of the corresponding sensors, preassembled connecting cables, and a WIL-BI switchgear and controlgear assembly (as the evaluation unit).

## Commercial data

Item number	1061961
Packing unit	1 pc
Minimum order quantity	1 pc
Sales key	DT50
Product key	DTHABA
GTIN	4055626717333
Weight per piece (including packing)	350 g
Weight per piece (excluding packing)	250 g
Customs tariff number	85176200
Country of origin	AT

# ID-S-RT 915 - Wireless receiver



1061961

<https://www.phoenixcontact.com/us/products/1061961>

## Technical data

### Product properties

Product type	Wireless element
--------------	------------------

### Insulation characteristics

Overvoltage category	III
Degree of pollution	2

### Electrical properties

Transient surge protection	yes
----------------------------	-----

### Supply Transmitter

Supply voltage range	19.2 V DC ... 30.5 V DC
Typical current consumption	41 mA
Max. current consumption	200 mA

### Connection data

Connection method	Push-in connection
Stripping length	10 mm
Conductor cross-section, rigid min.	0.2 mm <sup>2</sup>
Conductor cross-section, rigid max.	2.5 mm <sup>2</sup>
Conductor cross-section flexible min.	0.2 mm <sup>2</sup>
Conductor cross-section flexible max.	2.5 mm <sup>2</sup>
Conductor cross-section AWG min.	24
Conductor cross-section AWG max.	14

### Interfaces

#### Wireless

Direction	Uni-directional
-----------	-----------------

#### Wireless

Antenna connection method	RSMA (female)
---------------------------	---------------

#### Functions

Security	128-bit data encryption
----------	-------------------------

### Signaling

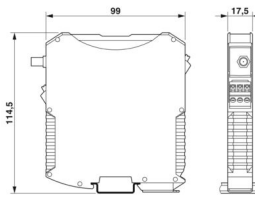
Status display	LED supply voltage, PWR (green)
	LED periphery error, ERR (red)
	LED CAN bus, CAN (yellow)
	LED HF data, RF (blue)

### Dimensions

# ID-S-RT 915 - Wireless receiver

1061961

<https://www.phoenixcontact.com/us/products/1061961>

Dimensional drawing		
Width		17.5 mm
Height		118 mm
Depth		114.5 mm

## Material specifications

Housing material	PA
------------------	----

## Environmental and real-life conditions

### Ambient conditions

Degree of protection	IP20
Ambient temperature (operation)	-40 °C ... 65 °C
Ambient temperature (storage/transport)	-40 °C ... 85 °C
Altitude	to 3000 m
Permissible humidity (operation)	5 % ... 95 % (non-condensing)
Shock	30g, IEC 60068-2-27
Vibration (operation)	5g, accordance to IEC 60068-2-6

## Approvals

### CE

Identification	CE-compliant
Note	Directive 2014/53/EU (RED)

## EMC data

### Electromagnetic HF field

Frequency range	902 MHz ... 928 MHz (typical: 913 MHz)
-----------------	--

# ID-S-RT 915 - Wireless receiver

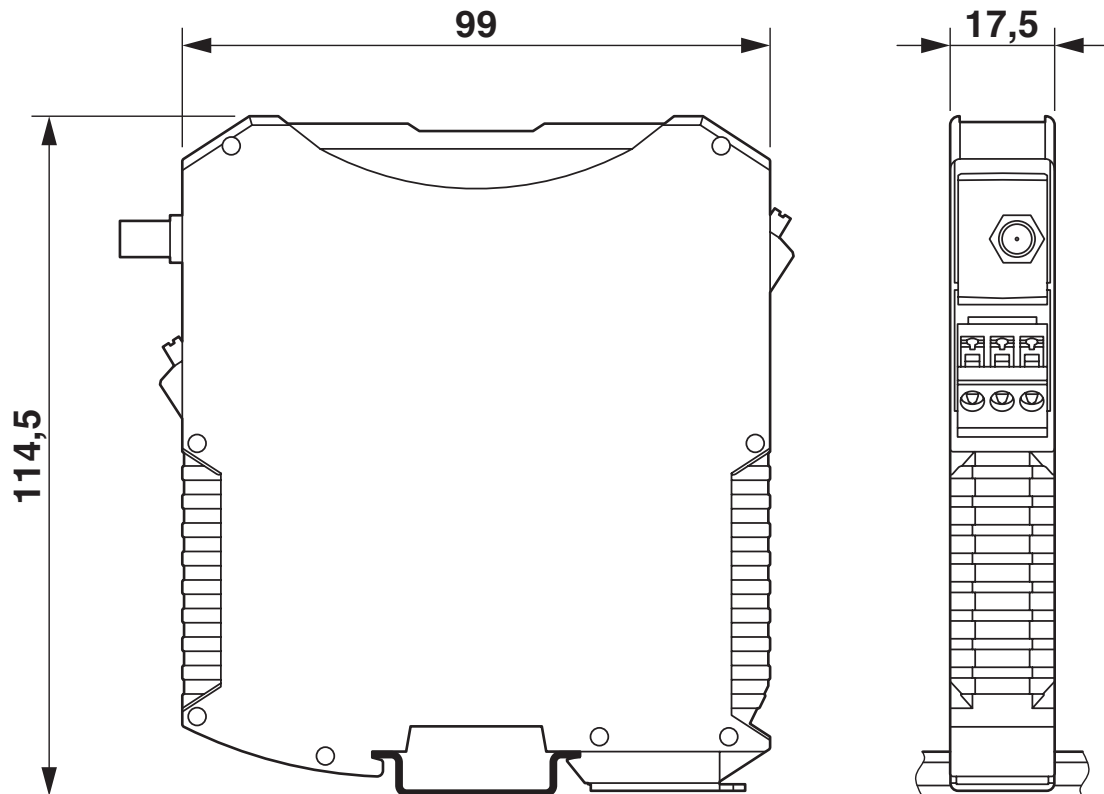
1061961

<https://www.phoenixcontact.com/us/products/1061961>



## Drawings

Dimensional drawing



# ID-S-RT 915 - Wireless receiver



1061961

<https://www.phoenixcontact.com/us/products/1061961>

## Classifications

### UNSPSC

UNSPSC 21.0	43201500
-------------	----------

# ID-S-RT 915 - Wireless receiver



1061961

<https://www.phoenixcontact.com/us/products/1061961>

## Environmental product compliance

### China RoHS

Environment friendly use period (EFUP)	EFUP-E
	No hazardous substances above the limits

### EU REACH SVHC

REACH candidate substance (CAS No.)	No substance above 0.1 wt%
-------------------------------------	----------------------------

Phoenix Contact 2026 © - all rights reserved  
<https://www.phoenixcontact.com>

Phoenix Contact USA  
586 Fulling Mill Road  
Middletown, PA 17057, United States  
(+717) 944-1300  
[info@phoenixcon.com](mailto:info@phoenixcon.com)