

TTC-6P-3-5DC-PT-I - Surge protection device



1061385

<https://www.phoenixcontact.com/us/products/1061385>

Please be informed that the data shown in this PDF document is generated from our online catalog. Please find the complete data in the user documentation. Our general terms of use for downloads are valid.



Surge protection, consisting of protective plug and base element, with integrated status indicator for a 3-wire floating signal circuit with high nominal current.

Your advantages

- Space-saving and cost-saving with a narrow overall width of just 6 mm
- Continuous monitoring of protective devices, plus mechanical status indicator with optional remote signaling
- Finding the right product for all possible requirements in MCR applications is easy, thanks to the complete range of products with customized features
- Easy testing and documentation with CHECKMASTER 2 with pluggable protective modules
- The signal is not influenced during maintenance work, thanks to the impedance-neutral insertion and removal of protective plugs



Commercial data

Item number	1061385
Packing unit	1 pc
Minimum order quantity	1 pc
Sales key	CL23
Product key	CL2162
GTIN	4055626712895
Weight per piece (including packing)	41.3 g
Weight per piece (excluding packing)	40 g
Customs tariff number	85363010
Country of origin	DE

TTC-6P-3-5DC-PT-I - Surge protection device

1061385

<https://www.phoenixcontact.com/us/products/1061385>

Technical data

Product properties

Product type	Surge protection for MCR technology
Product family	TERMITRAB complete
IEC test classification	C1
	C2
	C3
Type	DIN rail module, two-section, divisible

Insulation characteristics

Overvoltage category	III
Pollution degree	2

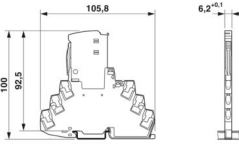
Electrical properties

Nominal voltage U_N	5 V DC
-----------------------	--------

Connection data

Connection method	Push-in connection
Conductor cross-section flexible	0.2 mm ² ... 2.5 mm ²
Conductor cross-section rigid	0.2 mm ² ... 4 mm ²
Conductor cross-section AWG	24 ... 12

Dimensions

Dimensional drawing	
Width	6.2 mm +0.1 mm
Height	105.8 mm
Depth	100 mm (incl. DIN rail 7.5 mm)

Material specifications

Color (Base element)	gray (RAL 7042)
Color (Male connector)	light gray (RAL 7035)
Flammability rating according to UL 94	V-0
Insulating material	PBT
Housing material	PBT

Mechanical properties

Mechanical data

Open side panel	No
-----------------	----

TTC-6P-3-5DC-PT-I - Surge protection device



1061385

<https://www.phoenixcontact.com/us/products/1061385>

Protective circuit

Direction of action	Line-Line & Line-Signal Ground/Shield & optional Signal Ground/Shield-Earth Ground
Nominal voltage U_N	5 V DC
Maximum continuous operating voltage U_C	5 V DC 3 V AC
Rated current	5 A (55 °C)
Operating effective current I_C at U_C	≤ 1 mA
Protective conductor current I_{PE}	≤ 1 μ A
Nominal discharge current I_n (8/20) μ s (line-line)	0.5 kA
Nominal discharge current I_n (8/20) μ s (line-ground)	5 kA
Total discharge current I_{Total} (8/20) μ s	10 kA
Voltage protection level U_p (line-line)	≤ 39 V (C1 - 1 kV / 500 A) ≤ 25 V (C3 - 100 A) ≤ 25 V (C3 - 25 A)
Voltage protection level U_p (line-earth)	≤ 700 V (C1 - 1 kV / 500 A) ≤ 900 V (C2 - 10 kV / 5 kA)
Response time t_A (line-line)	≤ 1 ns
Response time t_A (line-earth)	≤ 100 ns
Input attenuation aE, sym.	typ. 0.3 dB (≤ 7 MHz/150 Ω)
Cut-off frequency f_g (3 dB), sym. in 150 Ω system	typ. 33 MHz
Capacity (Core-Core)	typ. 50 pF
Capacity (Core-Earth)	typ. 50 pF
Resistance per path	< 0.1 Ω
Surge protection fault message	optical
Max. required back-up fuse	5 A (F)
Impulse durability (line-line)	C1 - 1 kV / 500 A C3 - 100 A
Impulse durability (line-earth)	C1 - 1 kV / 500 A C2 - 10 kV / 5 kA
Pulse reset time (line-line)	≤ 30 ms
Pulse reset time (line-earth)	≤ 30 ms

Environmental and real-life conditions

Ambient conditions

Degree of protection	IP20
Ambient temperature (operation)	-40 °C ... 85 °C
Ambient temperature (storage/transport)	-40 °C ... 85 °C
Altitude	≤ 4000 m (amsl)
Permissible humidity (operation)	5 % ... 95 %

Approvals

Conformity/Approvals

TTC-6P-3-5DC-PT-I - Surge protection device



1061385

<https://www.phoenixcontact.com/us/products/1061385>

UL, USA / Canada	Class I, Div. 2, Groups A, B, C, D T4A
------------------	--

Standards and regulations

Standards/specifications	IEC 61643-21
Note	2000 + corrigendum 2001 + A1:2008, modified + A2:2012

EN 61643-21

Standards/specifications	EN 61643-21
Note	2001 + A1:2009 + A2:2013

Mounting

Mounting type	DIN rail: TH 35 - 7.5 mm
---------------	--------------------------

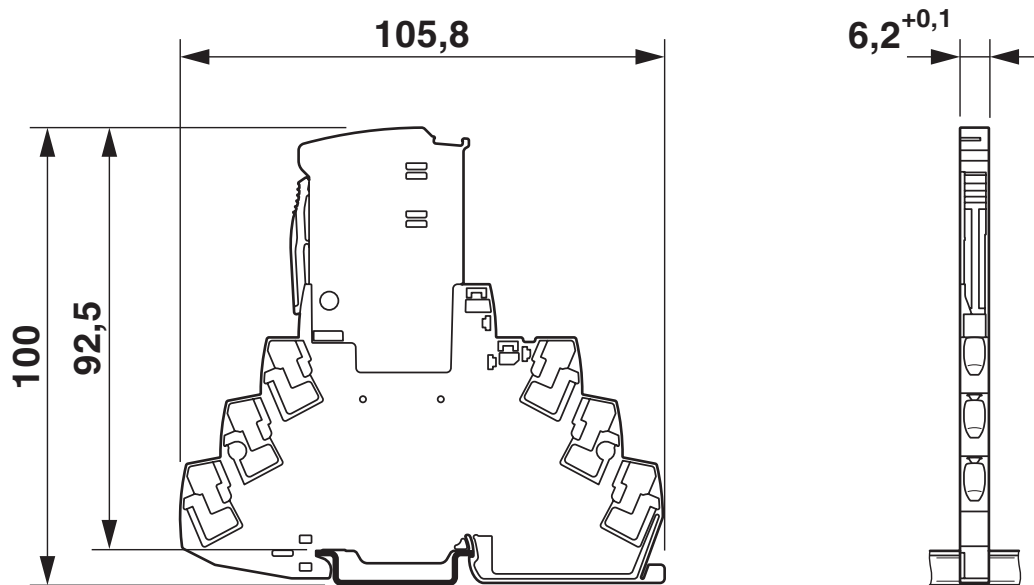
TTC-6P-3-5DC-PT-I - Surge protection device

1061385

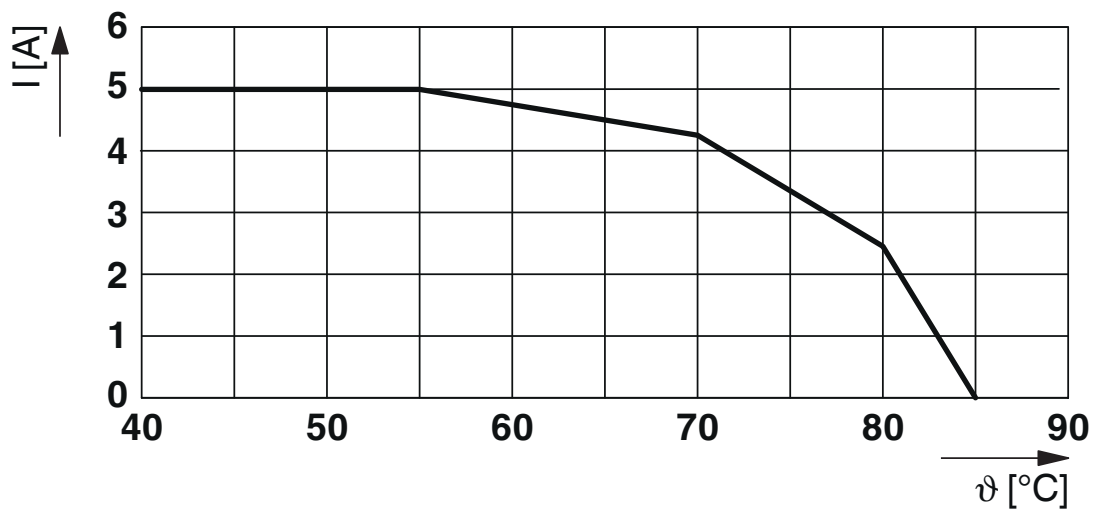
<https://www.phoenixcontact.com/us/products/1061385>

Drawings

Dimensional drawing



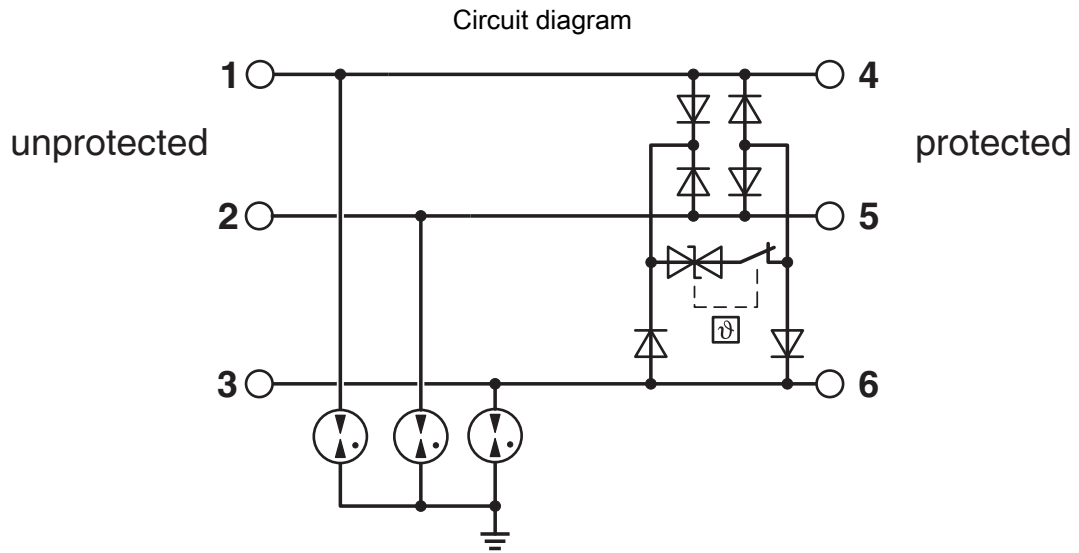
Diagram



TTC-6P-3-5DC-PT-I - Surge protection device

1061385

<https://www.phoenixcontact.com/us/products/1061385>



TTC-6P-3-5DC-PT-I - Surge protection device





1061385

<https://www.phoenixcontact.com/us/products/1061385>


Approvals


To download certificates, visit the product detail page: <https://www.phoenixcontact.com/us/products/1061385>


 **UL Listed**
Approval ID: FILE E 138168


 **DNV GL**
Approval ID: TAE000027G

UAE-RoHS
Approval ID: 22-06-16781

 **UL Listed**
Approval ID: FILE E 138168

 **cUL Listed**
Approval ID: FILE E 333250

 **UL Listed**
Approval ID: FILE E 333250

 **cULus Listed**
Approval ID: File E 333250

TTC-6P-3-5DC-PT-I - Surge protection device



1061385

<https://www.phoenixcontact.com/us/products/1061385>

Classifications

ECLASS

ECLASS-13.0	27171501
ECLASS-15.0	27171501

ETIM

ETIM 10.0	EC001466
-----------	----------

UNSPSC

UNSPSC 21.0	39121600
-------------	----------

TTC-6P-3-5DC-PT-I - Surge protection device



1061385

<https://www.phoenixcontact.com/us/products/1061385>

Environmental product compliance

EU RoHS

Fulfills EU RoHS substance requirements	Yes
Exemption	7(a)

China RoHS

Environment friendly use period (EFUP)	EFUP-50
	An article-related China RoHS declaration table can be found in the download area for the respective article under "Manufacturer declaration". For all articles with EFUP-E, no China RoHS declaration table issued and required.

EU REACH SVHC

REACH candidate substance (CAS No.)	Lead(CAS: 7439-92-1)
SCIP	ae7cc98a-23e7-41f3-b7f8-f8945b3db0a1

EF3.1 Climate Change

CO2e kg	1.725 kg CO2e
---------	---------------

Phoenix Contact 2026 © - all rights reserved
<https://www.phoenixcontact.com>

Phoenix Contact USA
586 Fulling Mill Road
Middletown, PA 17057, United States
(+717) 944-1300
info@phoenixcon.com