

# TTC-6P-3-24DC-I-P - Surge protection plug



1061384

<https://www.phoenixcontact.com/us/products/1061384>

Please be informed that the data shown in this PDF document is generated from our online catalog. Please find the complete data in the user documentation. Our general terms of use for downloads are valid.



Surge protection plug with integrated status indicator on the module for a 3-wire floating signal circuit with a high nominal current. Nominal voltage: 24 V DC

## Your advantages

- Space-saving and cost-saving with a narrow overall width of just 6 mm
- Continuous monitoring of protective devices, plus mechanical status indicator with optional remote signaling
- Finding the right product for all possible requirements in MCR applications is easy, thanks to the complete range of products with customized features
- Easy testing and documentation with CHECKMASTER 2 with pluggable protective modules
- The signal is not influenced during maintenance work, thanks to the impedance-neutral insertion and removal of protective plugs

## Commercial data

Item number	1061384
Packing unit	1 pc
Minimum order quantity	1 pc
Sales key	CL02
Product key	CL216Z
GTIN	4055626715650
Weight per piece (including packing)	16.8 g
Weight per piece (excluding packing)	9.3 g
Customs tariff number	85363010
Country of origin	DE

# TTC-6P-3-24DC-I-P - Surge protection plug

1061384

<https://www.phoenixcontact.com/us/products/1061384>

## Technical data

### Product properties

Product type	Replacement plug
Product family	TERMITRAB complete
Type	Male

### Insulation characteristics

Overvoltage category	III
Pollution degree	2

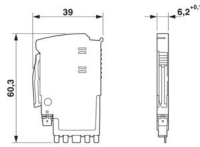
### Electrical properties

Nominal voltage $U_N$	24 V DC
-----------------------	---------

### Connection data

Connection method	pluggable
-------------------	-----------

### Dimensions

Dimensional drawing	
Width	6.2 mm +0.1 mm
Height	39 mm
Depth	60.3 mm

### Material specifications

Color	light gray (RAL 7035) light gray (RAL 7035)
Flammability rating according to UL 94	V-0
Insulating material	PBT
Housing material	PBT

### Protective circuit

Direction of action	Line-Line & Line-Signal Ground/Shield & optional Signal Ground/Shield-Earth Ground
Nominal voltage $U_N$	24 V DC
Maximum continuous operating voltage $U_C$	30 V DC
Rated current	5 A (55 °C)
Surge protection fault message	optical

### Environmental and real-life conditions

#### Ambient conditions

# TTC-6P-3-24DC-I-P - Surge protection plug



1061384

<https://www.phoenixcontact.com/us/products/1061384>

Degree of protection	IP20 (When plugged in)
Ambient temperature (operation)	-40 °C ... 85 °C
Ambient temperature (storage/transport)	-40 °C ... 85 °C
Altitude	≤ 4000 m (amsl)
Permissible humidity (operation)	5 % ... 95 %

## Standards and regulations

Standards/specifications	IEC 61643-21
Note	2000 + corrigendum 2001 + A1:2008, modified + A2:2012

### EN 61643-21

Standards/specifications	EN 61643-21
Note	2001 + A1:2009 + A2:2013
Standards/specifications	GB/T 3836.1
Note	2021
Standards/specifications	GB/T 3836.3
Note	2021

## Mounting

Mounting type	on base element
---------------	-----------------

# TTC-6P-3-24DC-I-P - Surge protection plug

1061384

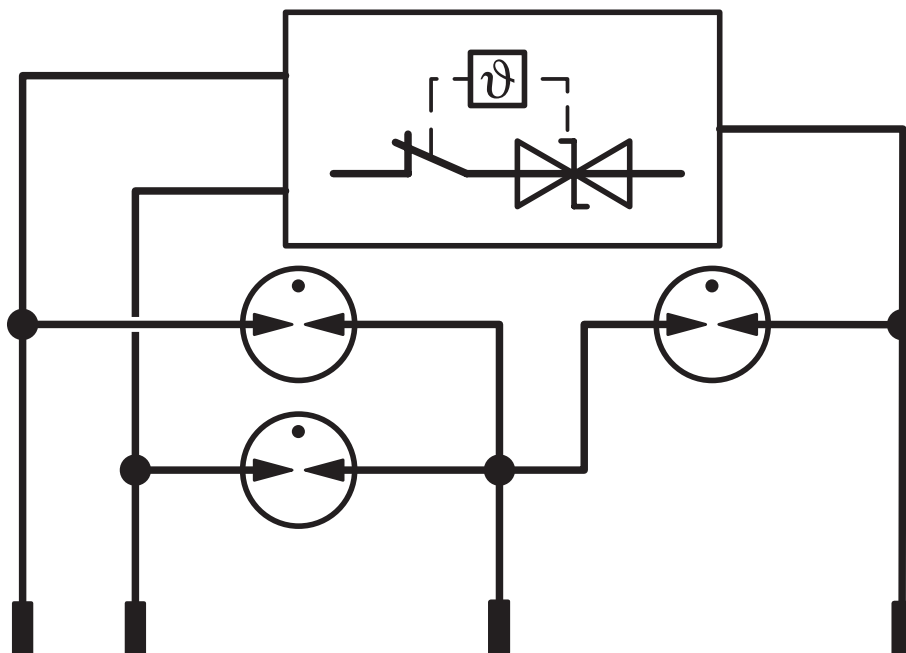
<https://www.phoenixcontact.com/us/products/1061384>

## Drawings

Dimensional drawing



Circuit diagram



# TTC-6P-3-24DC-I-P - Surge protection plug



1061384

<https://www.phoenixcontact.com/us/products/1061384>

## Approvals

To download certificates, visit the product detail page: <https://www.phoenixcontact.com/us/products/1061384>



**UL Listed**

Approval ID: FILE E 138168

**UAE-RoHS**

Approval ID: 22-06-16781



**UL Listed**

Approval ID: FILE E 138168



**cUL Listed**

Approval ID: FILE E 333250



**UL Listed**

Approval ID: FILE E 333250



**IECEX**

Approval ID: IECEX BVS 21.0057X



**ATEX**

Approval ID: BVS 21 ATEX E 052 X



**UKCA-EX**

Approval ID: DEKRA 23UKEX7003X



**cULus Listed**

Approval ID: File E 333250



**CCC**

Approval ID: 2022122304116080



**NEPSI-EX**

Approval ID: HT25-037

# TTC-6P-3-24DC-I-P - Surge protection plug



1061384

<https://www.phoenixcontact.com/us/products/1061384>

## Classifications

### ECLASS

ECLASS-13.0	27171501
ECLASS-15.0	27171501

### ETIM

ETIM 10.0	EC001466
-----------	----------

### UNSPSC

UNSPSC 21.0	39121600
-------------	----------

# TTC-6P-3-24DC-I-P - Surge protection plug



1061384

<https://www.phoenixcontact.com/us/products/1061384>

## Environmental product compliance

### EU RoHS

Fulfills EU RoHS substance requirements	Yes
Exemption	7(a)

### China RoHS

Environment friendly use period (EFUP)	EFUP-50
	An article-related China RoHS declaration table can be found in the download area for the respective article under "Manufacturer declaration". For all articles with EFUP-E, no China RoHS declaration table issued and required.

### EU REACH SVHC

REACH candidate substance (CAS No.)	Lead(CAS: 7439-92-1)
	Lead(CAS: 7439-92-1)
SCIP	ec23c63f-a99b-4668-b1a1-e99d769de1ed

### EF3.1 Climate Change

CO2e kg	1.423 kg CO2e
---------	---------------

Phoenix Contact 2026 © - all rights reserved  
<https://www.phoenixcontact.com>

Phoenix Contact USA  
586 Fulling Mill Road  
Middletown, PA 17057, United States  
(+717) 944-1300  
[info@phoenixcon.com](mailto:info@phoenixcon.com)