

TC-2D25SUBF-DI16-EX-2PS-S800 - Module carrier



1061345

<https://www.phoenixcontact.com/us/products/1061345>

Please be informed that the data shown in this PDF document is generated from our online catalog. Please find the complete data in the user documentation. Our general terms of use for downloads are valid.



Termination Carrier for 16 single-channel MACX Analog (Ex i) signal conditioners for connection to the ABB S800 system DI840 and DI880 (digital input) via the TU852 with dual redundant power supply

Commercial data

Item number	1061345
Packing unit	1 pc
Minimum order quantity	1 pc
Note	Made to order (non-returnable)
Product key	DK2711
GTIN	4055626714752
Country of origin	DE

TC-2D25SUBF-DI16-EX-2PS-S800 - Module carrier



1061345

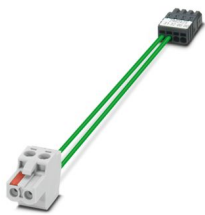
<https://www.phoenixcontact.com/us/products/1061345>

Set consists of

TC-C-MAX2-SC-31320000 - Cable set

2902425

<https://www.phoenixcontact.com/us/products/2902425>



Cable set for signal transmission on the Termination Carrier for modules from the MACX Analog Ex series. Connection of terminal points 3.1 and 3.2 (signal transmission) to the signal PCB.

TC-C-PTB3-SC-SET1 - Cable set

2905216

<https://www.phoenixcontact.com/us/products/2905216>



Cable set for TC-MACX-MCR-PTB power and fault signaling module (Item No. 2904673), for use on the Termination Carrier for signal conditioners from the MACX Analog Ex series.

TC-2D25SUBF-DI16-EX-2PS-S800 - Module carrier



1061345

<https://www.phoenixcontact.com/us/products/1061345>

CLIPFIX 35-5 - End bracket

3022276

<https://www.phoenixcontact.com/us/products/3022276>



Quick mounting end clamp for NS 35/7,5 DIN rail or NS 35/15 DIN rail, with marking option, with parking option for FBS...5, FBS...6, KSS 5, KSS 6, width: 5.15 mm, color: gray

Technical data

Notes

Notes on operation	For proper use, the specifications of the installation directive (see Downloads) must be observed. For applications or use with third-party products, the specifications, and the safety and warning instructions of the respective third-party manufacturer must also be met.
--------------------	--------------------------------------------------------------------------------------------------------------------------------------------------------------------------------------------------------------------------------------------------------------------------------

Product properties

Product type	Module carrier
Insulation characteristics: Air clearances and creepage distances	
Insulation	Basic insulation
Overvoltage category	II
Pollution degree	2

Electrical properties

Max. permissible current	1 A (Signal/channel)
Nominal voltage U_N	< 50 V DC (Per signal/channel)

Air clearances and creepage distances

Rated insulation voltage	30 V
Rated surge voltage	0.5 kV

Supported controller: ABB S800 I/O

Suitable I/O card	DI840
	DI880

Supply

Designation	Feed-in module
Note	Power supply via 2904673 TC-MACX-MCR-PTB power supply and error signaling module.
Fuse	2x 2.5 A Slow-blow (exchangeable)
Input voltage	24 V DC
Input voltage range	19.2 V DC ... 30 V DC
Input current	≤ 2 A
Redundant supply	yes, decoupled from diodes
Polarization and surge protection	Yes

Connection data

Power supply

Connection method	Screw connection
Stripping length	7 mm
Number of connections	2
Number of positions	6

1061345

<https://www.phoenixcontact.com/us/products/1061345>

Conductor cross-section rigid	0.14 mm ² ... 2.5 mm ²
Conductor cross-section flexible	0.14 mm ² ... 2.5 mm ²
Conductor cross-section AWG	24 ... 12

Controller level

Connection method	D-SUB socket strip
Number of connections	1
Number of positions	25

Signaling

Status display	2x green LEDs (PWR1 and PWR2)
----------------	-------------------------------

Dimensions

Width	242 mm
Height	170 mm
Depth	160 mm

Environmental and real-life conditions

Ambient conditions

Degree of protection	IP00
Degree of protection (Installation location)	≥ IP54 (Installation location)
Ambient temperature (operation)	-20 °C ... 70 °C (Please observe module specifications)
Ambient temperature (storage/transport)	-40 °C ... 80 °C
Altitude	≤ 2000 m
Shock	15g, according to IEC 60068-2-27
Vibration (operation)	2g, according to IEC 60068-2-6

Approvals

UL, USA/Canada

Identification	UL 61010 Listed
	Class I, Div. 2, Groups A, B, C, D T4
	Class I, Zone 2, Group IIC

Standards and regulations

Air clearances and creepage distances

Standards/regulations	EN IEC 60664-1
-----------------------	----------------

Mounting

Mounting type	DIN rail mounting
Assembly note	No end clamp
Mounting position	vertical, horizontal

TC-2D25SUBF-DI16-EX-2PS-S800 - Module carrier

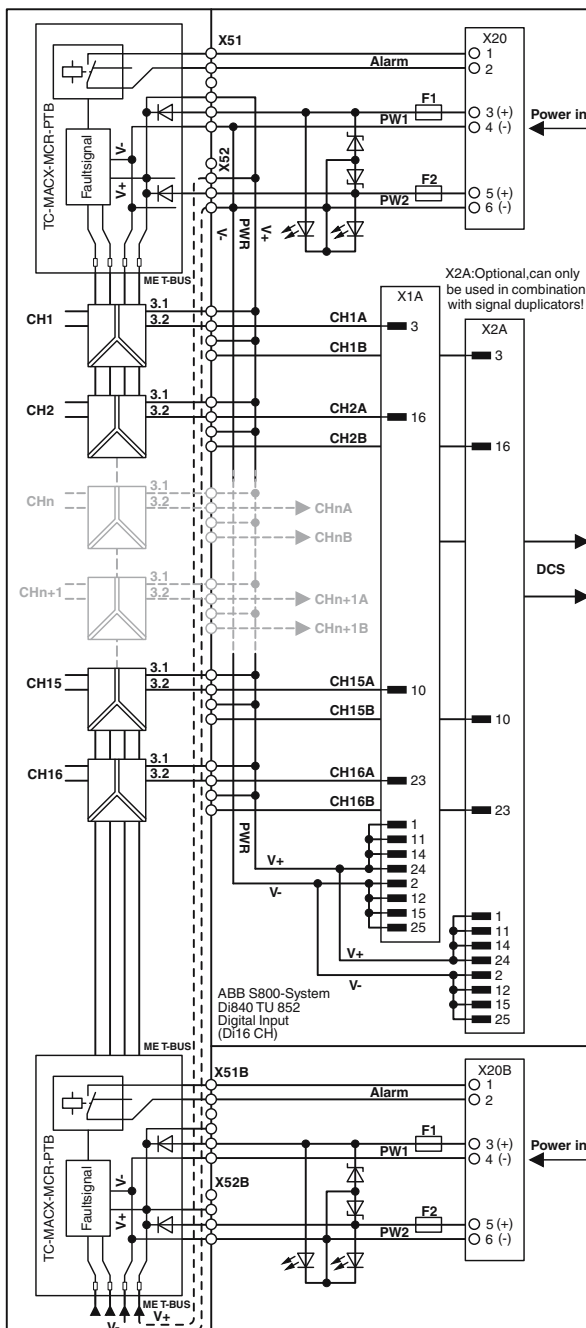


1061345

<https://www.phoenixcontact.com/us/products/1061345>

Drawings

Block diagram



1061345

<https://www.phoenixcontact.com/us/products/1061345>

Approvals

To download certificates, visit the product detail page: <https://www.phoenixcontact.com/us/products/1061345>

 UL Listed Approval ID: E330267				
	Nominal voltage U_N	Nominal current I_N	Cross section AWG	Cross section mm^2
keine				
	50 V	1 A	-	-

 cUL Listed Approval ID: E330267				
	Nominal voltage U_N	Nominal current I_N	Cross section AWG	Cross section mm^2
keine				
	50 V	1 A	-	-

 cUL Listed Approval ID: E199827				
	Nominal voltage U_N	Nominal current I_N	Cross section AWG	Cross section mm^2
keine				
	50 V	1 A	-	-

 UL Listed Approval ID: E199827				
	Nominal voltage U_N	Nominal current I_N	Cross section AWG	Cross section mm^2
keine				
	50 V	1 A	-	-

1061345

<https://www.phoenixcontact.com/us/products/1061345>

Classifications

ECLASS

ECLASS-13.0	27141152
ECLASS-15.0	27141152

ETIM

ETIM 10.0	EC002780
-----------	----------

UNSPSC

UNSPSC 21.0	39121400
-------------	----------

1061345

<https://www.phoenixcontact.com/us/products/1061345>

Environmental product compliance

EU RoHS

Fulfills EU RoHS substance requirements	Yes
Exemption	6(c), 7(c)-I

China RoHS

Environment friendly use period (EFUP)	EFUP-50
	An article-related China RoHS declaration table can be found in the download area for the respective article under "Manufacturer declaration". For all articles with EFUP-E, no China RoHS declaration table issued and required.

EU REACH SVHC

REACH candidate substance (CAS No.)	Lead(CAS: 7439-92-1)
SCIP	1f65c26d-7fc5-4b24-8697-92b07f886e7e

Phoenix Contact 2026 © - all rights reserved

<https://www.phoenixcontact.com>

Phoenix Contact USA
 586 Fulling Mill Road
 Middletown, PA 17057, United States
 (+717) 944-1300
info@phoenixcon.com