

PV-FT-C-2,5 SEAL GN - Seal



1058183

<https://www.phoenixcontact.com/us/products/1058183>

Please be informed that the data shown in this PDF document is generated from our online catalog. Please find the complete data in the user documentation. Our general terms of use for downloads are valid.



Seal, Range of articles: SUNCLIX, color: green, For sealing conductors with diameters from 4.04 mm ... 4.45 mm

Commercial data

Item number	1058183
Packing unit	100 pc
Minimum order quantity	100 pc
Product key	ABLBZC
GTIN	4055626701585
Weight per piece (including packing)	0.35 g
Weight per piece (excluding packing)	0.33 g
Country of origin	DE

Technical data

Notes

Safety note

Safety note

- **WARNING:** Commission properly functioning products only. The products must be regularly inspected for damage. Decommission defective products immediately. Replace damaged products. Repairs are not possible.
- **WARNING:** Only electrically qualified personnel may install and operate the product. They must observe the following safety notes. The qualified personnel must be familiar with the basics of electrical engineering. They must be able to recognize and prevent danger. The relevant symbol on the packaging indicates that only personnel familiar with electrical engineering are allowed to install and operate the product.
- WARNING:** The connectors may not be plugged in or disconnected under load. Ignoring the warning or improper use may damage persons and/or property.
- The products are suitable for applications in plant, controller, and electrical device engineering.
- Assembled products may not be manipulated or improperly opened.
- Only use mating connectors that are specified in the technical data of the standards listed (e.g. the ones listed in the product accessories online at [phoenixcontact.com/products](https://www.phoenixcontact.com/products)).
- When using the product in direct connection with third-party manufacturers, the user is responsible.
- For operating voltages > 50 V AC, conductive connector housings must be grounded
- Ensure that the protective or functional ground has been properly connected.
- Observe the corresponding technical data. You will find information:
 - o On the product
 - o On the packing label
 - o In the supplied documentation
 - o Online at [phoenixcontact.com/products](https://www.phoenixcontact.com/products) under the product
- The installation notes/Design In documents online on the download page at [phoenixcontact.com/products](https://www.phoenixcontact.com/products) must be observed for this product.
- Use a protective cap to protect connectors that are not in use. The suitable accessories are available online in the accessory section of the product at [phoenixcontact.com/products](https://www.phoenixcontact.com/products)
- The connector warms up in normal operation. Depending on the ambient conditions, the surface of the connector can continue to warm up. In this case, the user is responsible for posting warnings (e.g. DIN EN ISO 13732-1:2008-12).
- Operate the connector only when it is fully plugged in and interlocked.
- Ensure that when laying the cable, the tensile load on the connectors does not exceed the upper limit specified in the standards.

PV-FT-C-2,5 SEAL GN - Seal

1058183

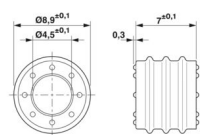
<https://www.phoenixcontact.com/us/products/1058183>

• Observe the minimum bending radius of the cable. Lay the cable without twisting it.

Product properties

Product type	Mounting material
Product family	SUNCLIX

Dimensions

Dimensional drawing	
Width	7.9 mm
Height	7.9 mm
Length	7 mm

Material specifications

Color	green
Flammability rating according to UL 94	HB
Cable seal material	Elastosil

Environmental and real-life conditions

Ambient conditions

Ambient temperature (operation)	-55 °C ... 230 °C
---------------------------------	-------------------

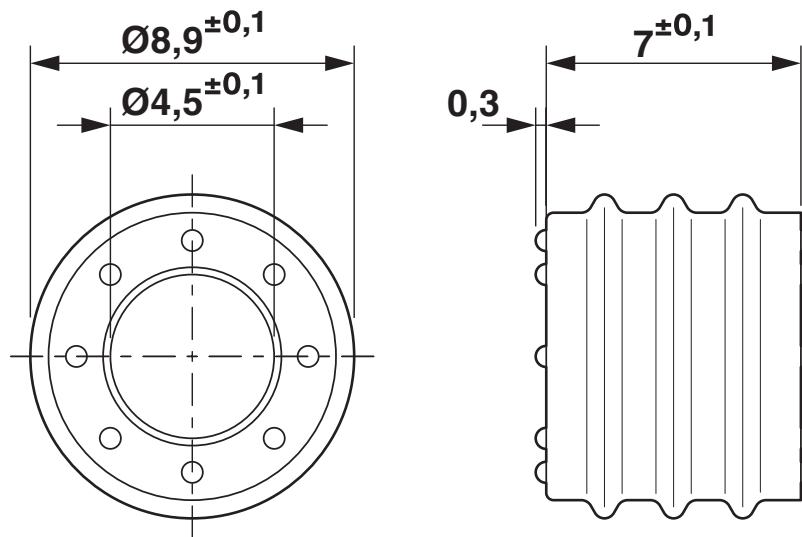
PV-FT-C-2,5 SEAL GN - Seal

1058183

<https://www.phoenixcontact.com/us/products/1058183>

Drawings

Dimensional drawing



Seal

PV-FT-C-2,5 SEAL GN - Seal



1058183

<https://www.phoenixcontact.com/us/products/1058183>

Classifications

ECLASS

ECLASS-15.0	27440192
ECLASS-13.0	27440192

ETIM

ETIM 10.0	EC002943
-----------	----------

UNSPSC

UNSPSC 21.0	39121400
-------------	----------

PV-FT-C-2,5 SEAL GN - Seal



1058183

<https://www.phoenixcontact.com/us/products/1058183>

Environmental product compliance

EU RoHS

Fulfills EU RoHS substance requirements	Yes, No exemptions
---	--------------------

China RoHS

Environment friendly use period (EFUP)	EFUP-E
	No hazardous substances above the limits

EU REACH SVHC

REACH candidate substance (CAS No.)	No substance above 0.1 wt%
-------------------------------------	----------------------------

Phoenix Contact 2026 © - all rights reserved
<https://www.phoenixcontact.com>

Phoenix Contact USA
586 Fulling Mill Road
Middletown, PA 17057, United States
(+717) 944-1300
info@phoenixcon.com