

# FLANGE-M23PRO-SG - Square mounting flange



1055767

<https://www.phoenixcontact.com/us/products/1055767>

Please be informed that the data shown in this PDF document is generated from our online catalog. Please find the complete data in the user documentation. Our general terms of use for downloads are valid.

Square mounting flange, Axial seal



## Commercial data

Item number	1055767
Packing unit	1 pc
Minimum order quantity	1 pc
Sales key	AB30
Product key	ABRGDA
GTIN	4063151782863
Weight per piece (including packing)	30.2 g
Weight per piece (excluding packing)	25.42 g
Customs tariff number	85389099
Country of origin	DE

# FLANGE-M23PRO-SG - Square mounting flange



1055767

<https://www.phoenixcontact.com/us/products/1055767>

## Technical data

### Product properties

Product type	Mounting material
--------------	-------------------

### Mounting

Mounting type	Screw mounting (4x M3)
---------------	------------------------

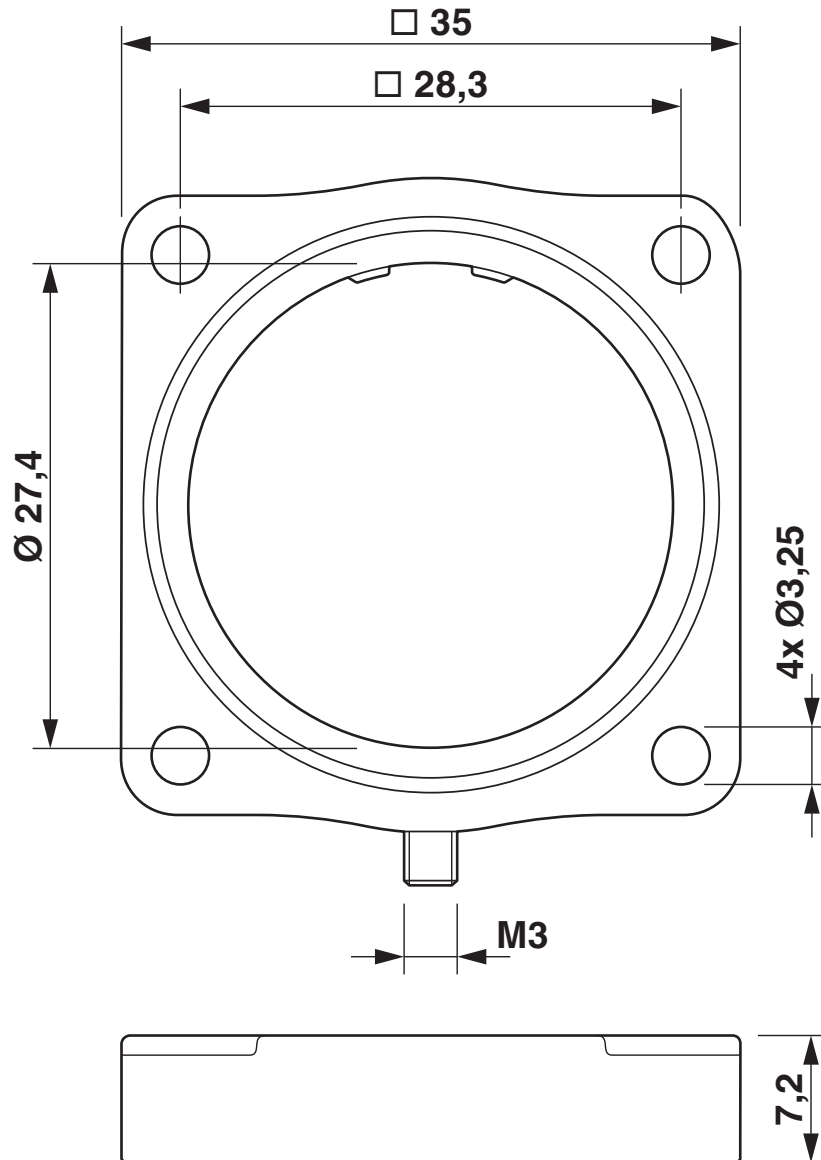
# FLANGE-M23PRO-SG - Square mounting flange

1055767

<https://www.phoenixcontact.com/us/products/1055767>

## Drawings

Dimensional drawing



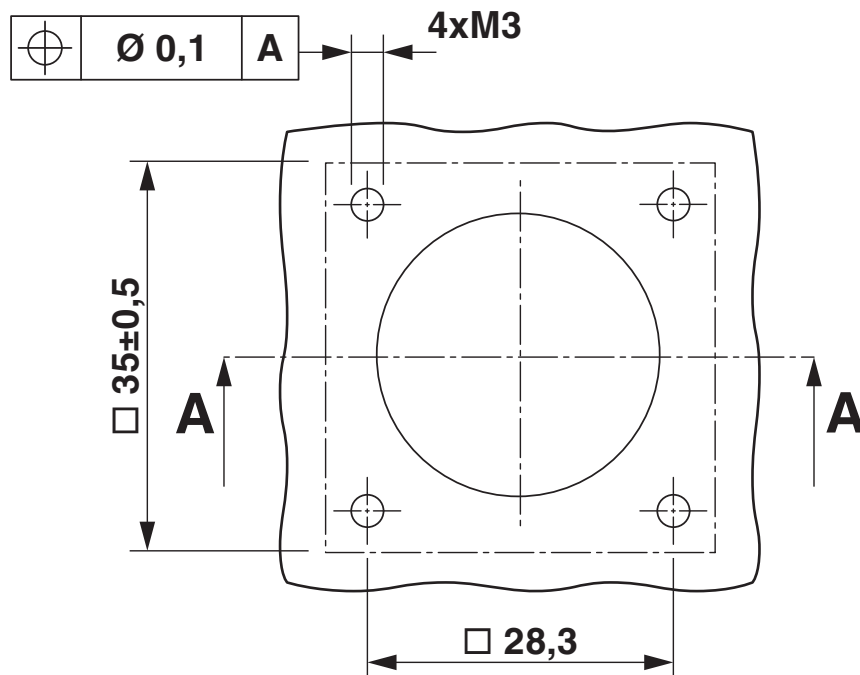
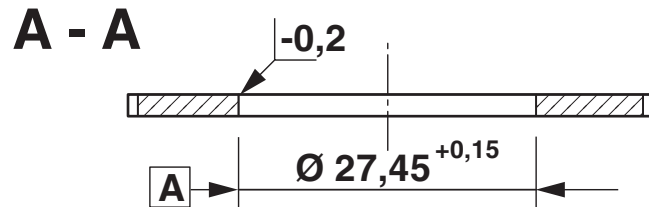
Dimensional drawing

# FLANGE-M23PRO-SG - Square mounting flange

1055767

<https://www.phoenixcontact.com/us/products/1055767>

Dimensional drawing



Installation dimensions

# FLANGE-M23PRO-SG - Square mounting flange



1055767

<https://www.phoenixcontact.com/us/products/1055767>

## Classifications

### ECLASS

ECLASS-13.0	27440312
ECLASS-15.0	27440312

### ETIM

ETIM 10.0	EC002641
-----------	----------

# FLANGE-M23PRO-SG - Square mounting flange



1055767

<https://www.phoenixcontact.com/us/products/1055767>

## Environmental product compliance

### EU RoHS

Fulfills EU RoHS substance requirements	Yes, No exemptions
---	--------------------

### China RoHS

Environment friendly use period (EFUP)	EFUP-E
	No hazardous substances above the limits

### EU REACH SVHC

REACH candidate substance (CAS No.)	No substance above 0.1 wt%
-------------------------------------	----------------------------

Phoenix Contact 2026 © - all rights reserved  
<https://www.phoenixcontact.com>

Phoenix Contact USA  
586 Fulling Mill Road  
Middletown, PA 17057, United States  
(+717) 944-1300  
[info@phoenixcon.com](mailto:info@phoenixcon.com)