

HC-A-PE-PT - Adapter

1054712

<https://www.phoenixcontact.com/us/products/1054712>

Please be informed that the data shown in this PDF document is generated from our online catalog. Please find the complete data in the user documentation. Our general terms of use for downloads are valid.



Adapter, 0.5 mm² ... 4 mm²

Commercial data

Item number	1054712
Packing unit	2 pc
Minimum order quantity	2 pc
Sales key	BF61
Product key	AF7ABZ
GTIN	4063151096977
Weight per piece (including packing)	7.47 g
Weight per piece (excluding packing)	7.4 g
Customs tariff number	85369010
Country of origin	CN

HC-A-PE-PT - Adapter

1054712

<https://www.phoenixcontact.com/us/products/1054712>



Technical data

Product properties

Product type	Adapter
--------------	---------

HC-A-PE-PT - Adapter

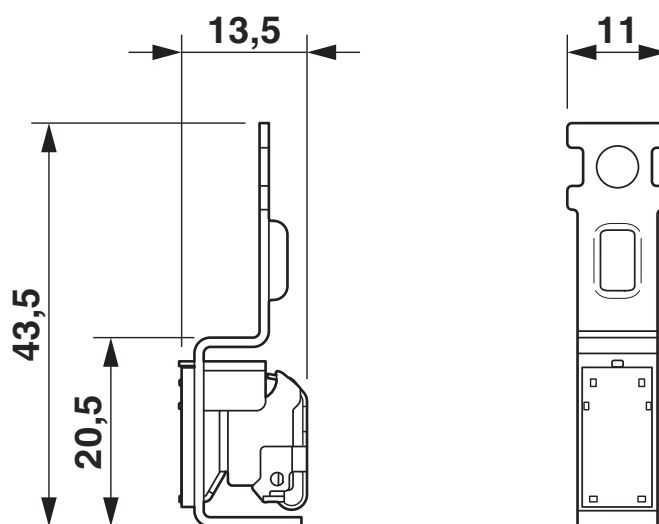
1054712

<https://www.phoenixcontact.com/us/products/1054712>



Drawings

Dimensional drawing



HC-A-PE-PT - Adapter




1054712

<https://www.phoenixcontact.com/us/products/1054712>

Approvals

To download certificates, visit the product detail page: <https://www.phoenixcontact.com/us/products/1054712>

 UL Recognized Approval ID: E468743				
	Nominal voltage U_N	Nominal current I_N	Cross section AWG	Cross section mm^2
keine				
	-	-	- - -	-

HC-A-PE-PT - Adapter

1054712

<https://www.phoenixcontact.com/us/products/1054712>



Classifications

ECLASS

ECLASS-13.0	27440192
ECLASS-15.0	27440192

ETIM

ETIM 10.0	EC002943
-----------	----------

UNSPSC

UNSPSC 21.0	39121400
-------------	----------

HC-A-PE-PT - Adapter

1054712

<https://www.phoenixcontact.com/us/products/1054712>



Environmental product compliance

EU RoHS

Fulfills EU RoHS substance requirements	Yes, No exemptions
---	--------------------

China RoHS

Environment friendly use period (EFUP)	EFUP-E
	No hazardous substances above the limits

EU REACH SVHC

REACH candidate substance (CAS No.)	No substance above 0.1 wt%
-------------------------------------	----------------------------

EF3.1 Climate Change

CO2e kg	0.245 kg CO2e
---------	---------------

Phoenix Contact 2026 © - all rights reserved
<https://www.phoenixcontact.com>

Phoenix Contact USA
586 Fulling Mill Road
Middletown, PA 17057, United States
(+717) 944-1300
info@phoenixcon.com